

User Manual

Remote Control

AC6060

General :

The remote is wholly used for matching AC 120V motor use, using 12V battery-powered, simple operation, stable performance, reliable quality.

type:

remote type: AC6060。

Main function:

Used for matching AC 120V motor use, through 5 keys on the remote, it is easy to operate after opening the back of the battery cover to install battery.

Structure chart :

See attached fig1:

- 1、 high speed grade start key;
- 2、 medium speed grade start key;
- 3、 low speed grade start key;
- 4、 halt key;
- 5、 light control key;
- 6、 LED light;

7、 12V battery;

Specification:

1, working voltage: DC-12V

2, static current: less than 8 uA

3, working current: less than 20 mA;

4, effective assorting space with the receiver in the same series: not less than 15 meters;

instruction

1. key “1” is for start from high speed grade, which is pressed to start the motor from high speed grade. If the motor is working at other speed grade, key 1 pressed will make the motor adjustable to high speed grade.

2. key “2” is for start from medium speed grade, which is pressed to start the motor from medium speed grade. If the motor is working at other speed grade, key 2 pressed will make the motor adjustable to medium speed grade.

3. key “3” is for start from low speed, which is pressed to start the motor from low speed grade. If the motor is working at other speed grade, key 3 pressed will make the motor adjustable to low speed grade.

4. key "4" is to halt, which is pressed to stop the motor from work.

5. key "5" is to control lights. Short pressure and long pressure can control switch and can adjust the brightness respectively.

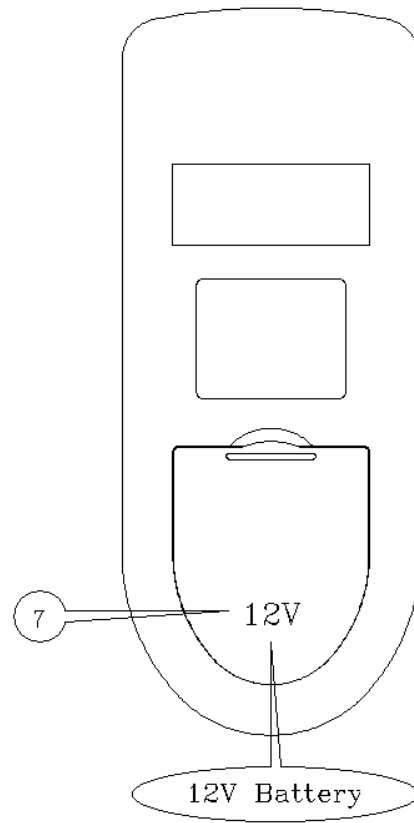
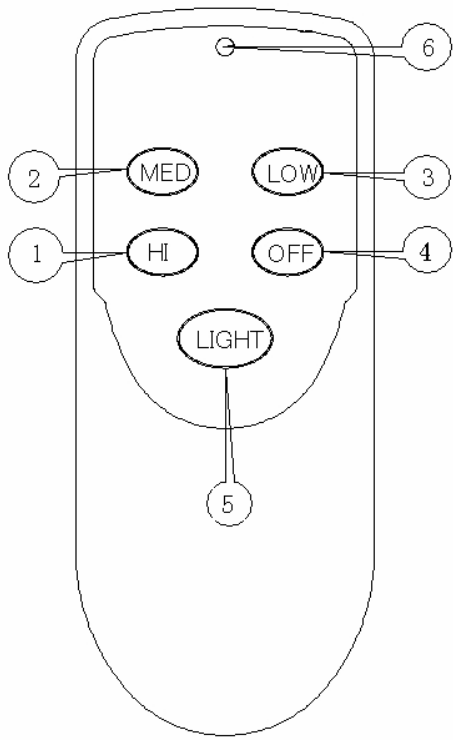
The user can loosen the key when the brightness meets user's need. The lights change as follows:

current brightness → brightest → darkest → brightest

6, In case of key pressed, the LED lights shine. LED lights will be turned off in case of the key loosened.

7, Install battery here.

Note: changes or modifications not expressly approved by the party responsible for compliance could void the user's authority to operate the equipment.



Attached fig1.