

**Radiation Pattern  
Test Report**

Version: 0.1

**Project Name: BlueAnt**

**Test Date: June 5, 2008**

**Tested by: Foxlink & A Test Lab Techno Corp.**

CONTENT

TEST SETUP..... 4

1.1 TEST UNIT..... 4

1.2 TEST EQUIPMENT..... 4

1.3 TEST RESULT SUMMARY ..... 5

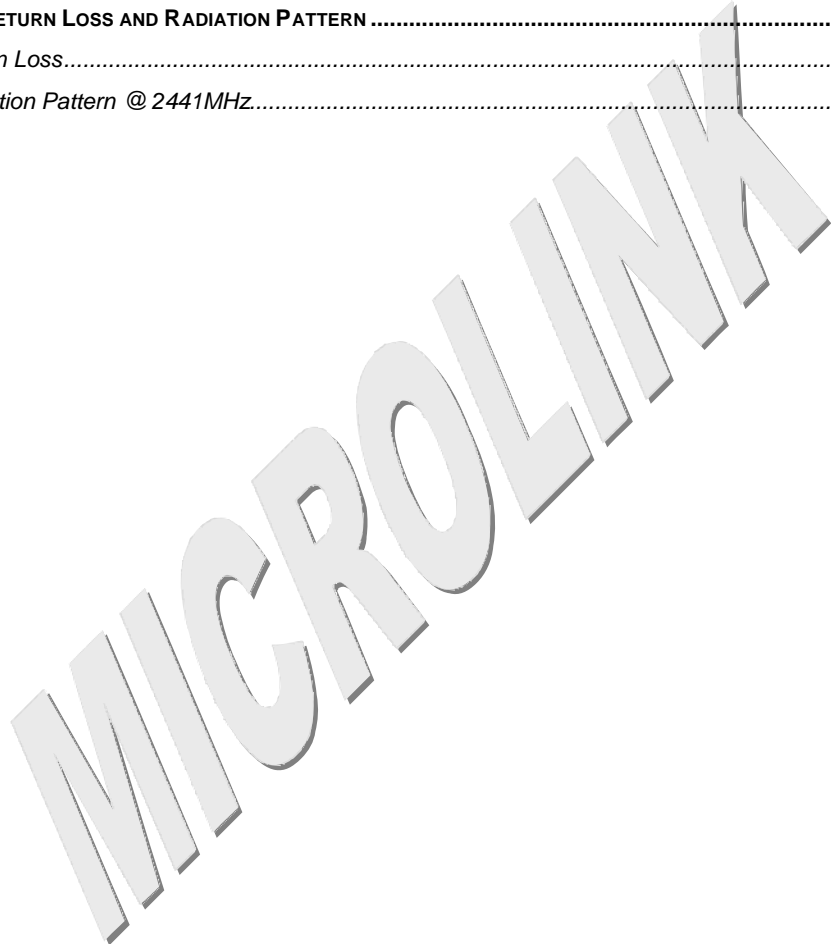
    1.3.1 Return Loss..... 5

    1.3.2 Radiation Pattern at 2402,2441,2480MHz..... 5

1.4 UNIT 1 RETURN LOSS AND RADIATION PATTERN ..... 6

    1.4.1 Return Loss..... 6

    1.4.2 Radiation Pattern @ 2441MHz..... 6



Document History

Rev.	Date	Author	Reason for Changes
0.1	6/5/2008	Plato Lee	• First Release

MICROLINK

## TEST SETUP

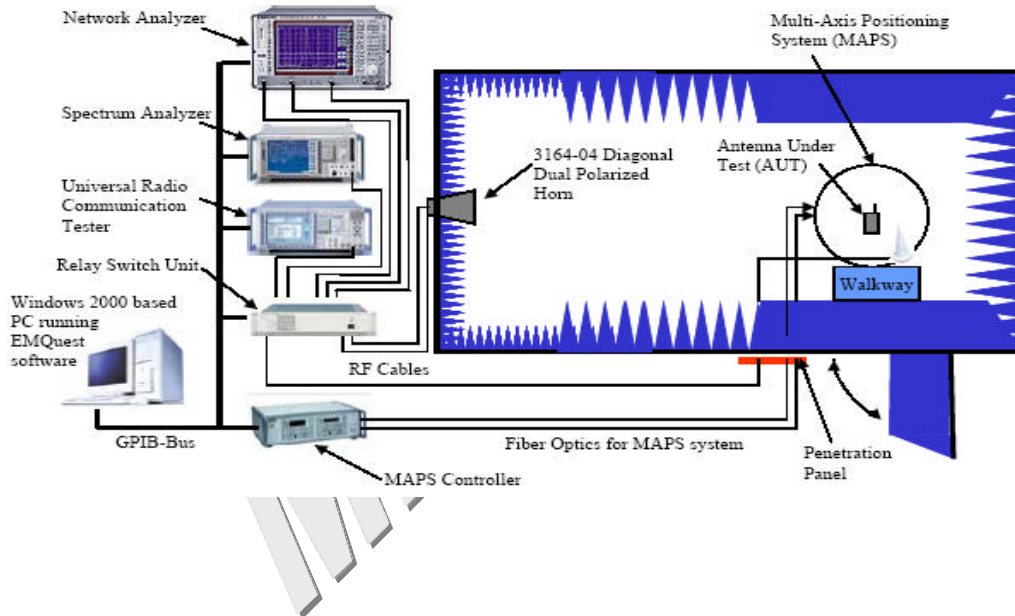
### 1.1 Test Unit

1. Hardware Version:
2. Housing:
3. Antenna Type: IFA

### 1.2 Test Equipment

1. AMS-8500 System
2. Test Method: 3D radiation pattern
3. Test Lab: A Test Lab Techno Corp.

## Typical AMS-8500 System Schematic



**1.3 Test Result Summary****1.3.1 Return Loss**

Unit: dB

**1.3.2 Radiation Pattern at 2402,2441,2480MHz**

Frequency (MHz)	2402	2441	2480
Average Gain	-6.11	-5.84	-5.70
Peak Gain	-2.56	-2.40	-2.30

Unit: dBi

**MICROLINK**

**1.4 Unit 1 Return Loss and Radiation Pattern****1.4.1 Return Loss****1.4.2 Radiation Pattern @ 2441MHz****Free Space:**

BlueAnt\BA-2.pdf

**MICROLINK**