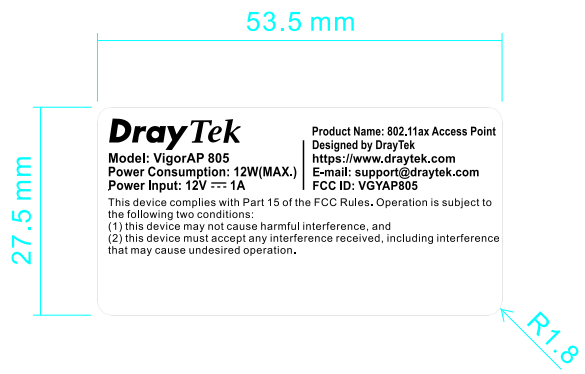
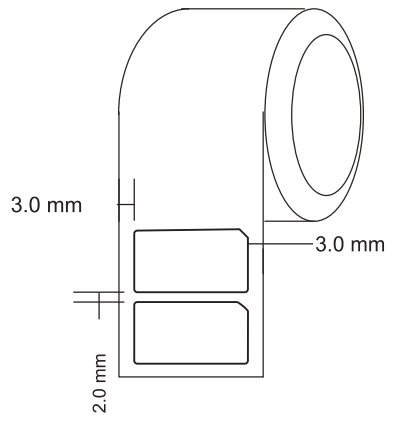


REVISIONS			
REV.	DESCRIPTION	DATE	APPROVED

NOTES:  
 1.材質:銅板紙,表面不上膜  
 2.整體尺寸公差為 +/-0.2mm  
 3.進料方式:單排捲狀  
 4.原料與外加工(印刷噴漆/電鍍/染色/上光/背膠/薄膜/溶劑等)物質須符合歐盟RoHS規範如下表:

### 來料方式



**DrayTek**  
 Model: VigorAP 805  
 Power Consumption: 12W(MAX.)  
 Power Input: 12V --- 1A  
 Product Name: 802.11ax Access Point  
 Designed by DrayTek  
 https://www.draytek.com  
 E-mail: support@draytek.com  
 FCC ID: VGAP805  
 This device complies with Part 15 of the FCC Rules. Operation is subject to the following two conditions:  
 (1) this device may not cause harmful interference, and  
 (2) this device must accept any interference received, including interference that may cause undesired operation.

A 底色  PANTONE 白  
 B 文字  PANTONE 黑

### 歐盟RoHS規範

項次	限用系列元素	限用含量
1	鉛(Pb)	< 800 ppm
2	鎘(Cd)	< 80 ppm
3	汞(Hg)	< 800 ppm
4	六價鉻(Cr+6)	< 800 ppm
5	多溴聯苯(PBBs)	< 800 ppm
6	多溴二苯醚(PBDEs)	< 800 ppm
7	鄰苯二甲酸二(2-乙基己基)酯 (DEHP)	< 800 ppm
8	鄰苯二甲酸丁酯苯甲酯 (BBP)	< 800 ppm
9	鄰苯二甲酸二丁酯 (DBP)	< 800 ppm
10	鄰苯二甲酸二異丁酯 (DIBP)	< 800 ppm
以上十大元素總和<800 ppm		

DIM	MAT'L	CORRUGATED PAPER	居易科技 <b>DrayTek</b>	No. 26, Fu Shing Road., HuKou, Hsin-Chu Industrial Park, Hsin-Chu, Taiwan 303 R.O.C TEL:886-3-5972727 FAX:886-3-5972121 http://www.draytek.com				工程圖號 N/A Tolerances unless otherwise specified	
	L<200			±1	Model: <b>VigorAP 805</b>	Drawing No. N/A	Part No.		300~500 ±0.3 ±0.6 200~300 ±0.25 ±0.5
200<L<500	±1.5	Model: <b>VigorAP 805</b>	Draw: Tony Chiu Date: 2024.05.21	UNIT: MM			120~200 ±0.2 ±0.4 60~120 ±0.15 ±0.3		
500<L<1000	±2	Part name: <b>Model Label for FCC</b>	Checked:	Date:	Size: A4	Scale: 1:1	10~60 ±0.1 ±0.2 0~10 ±0.05 ±0.1		
1000<L<1800	±2.5	Material: See Note	Surface Treatment: N/A	Approved:	Date:	Ver. 0	Sheet: 1 of 1		
1800<L<3000	±3			Approved:	Date:	Ver. 0	Sheet: 1 of 1		
3000<L	±5			Approved:	Date:	Ver. 0	Sheet: 1 of 1		
								CLASS A B	

Label location

