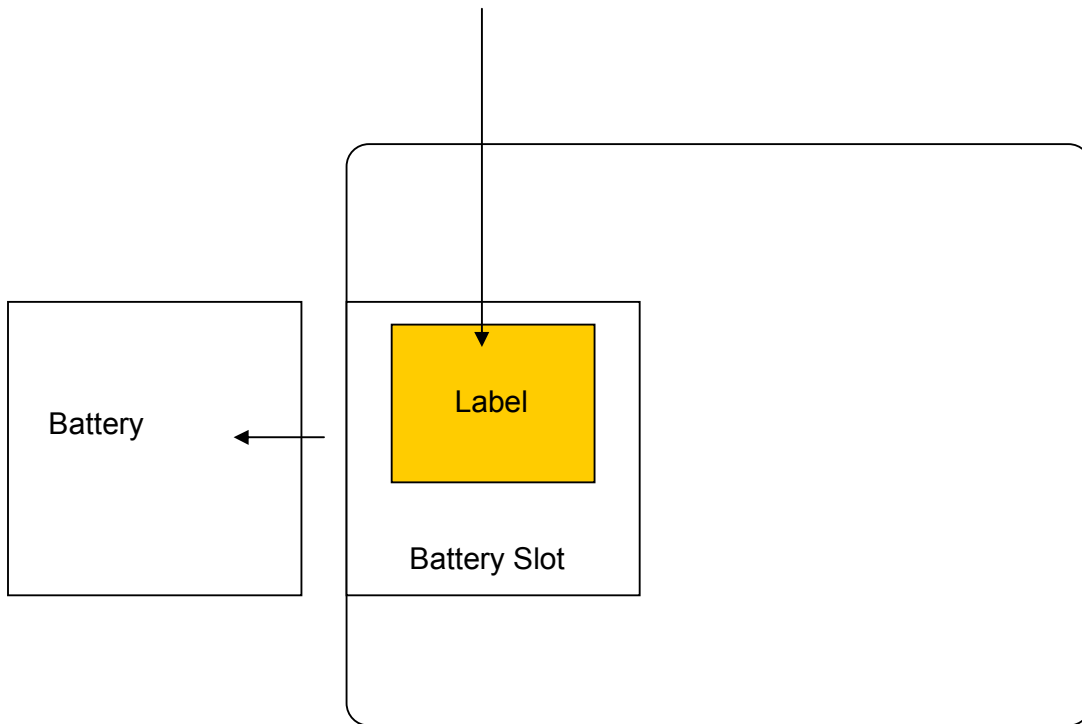
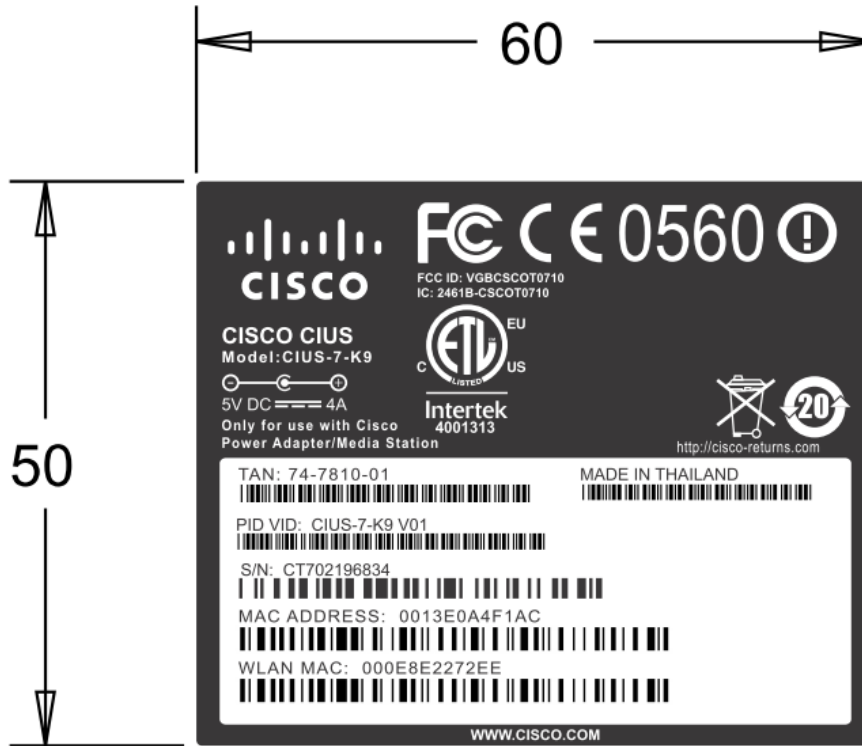


FCC Label\_Position



Bottom of the Tablet