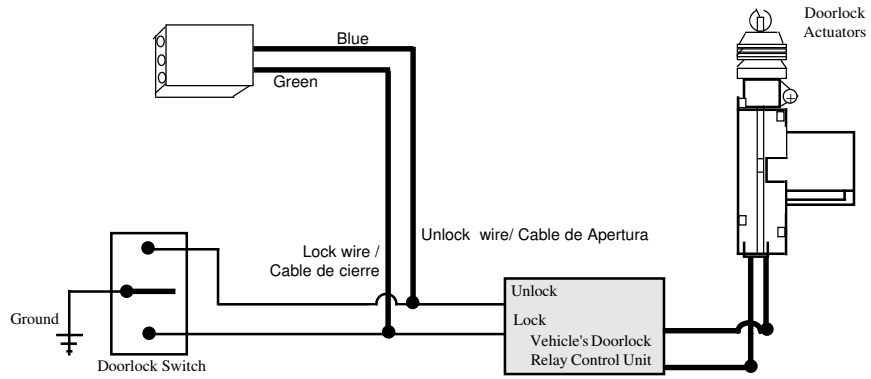
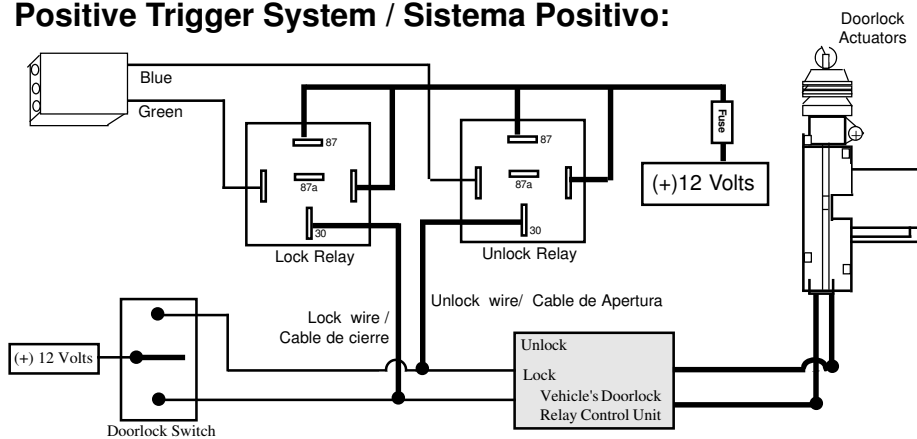


Door Locking Systems / Sistemas De Cierre

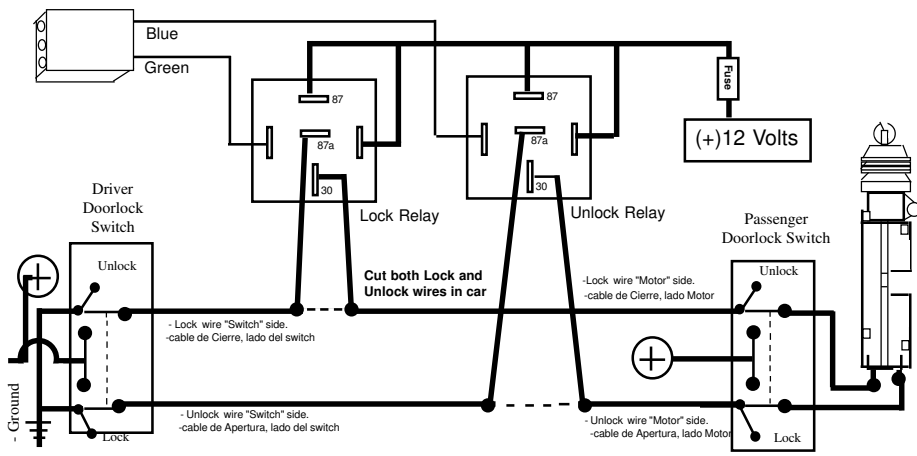
Negative Trigger System / Sistema Negativo:



Positive Trigger System / Sistema Positivo:



5 Wire Reversal (Rest at ground): Cambio de Polaridad:



Notice : The changes or modifications not expressly approved by the party responsible for compliance could void the user's authority to operate the equipment.

IMPORTANT NOTE: To comply with the FCC RF exposure compliance requirements, no change to the antenna or the device is permitted. Any change to the antenna or the device could result in the device exceeding the RF exposure requirements and void user's authority to operate the device.

This device complies with Part 15 of the FCC Rules. Operation is subject to the following two conditions: (1) this device may not cause harmful interference, and (2) this device must accept any interference received, including interference that may cause undesired operation.