

Guangdong Midea Kitchen Appliances Manufacturing Co.,Ltd
No.6, Yong An Road, Beijiao, Shunde, Foshan, Guangdong, China
TEL:+86-0757-23606480
Email: xuewf1@midea.com.cn

Date: 2021-11-09

FEDERAL COMMUNICATIONS COMMISSIONS

Authorization and Evaluation Division

7435 Oakland Mills Road

Columbia, MD 21046

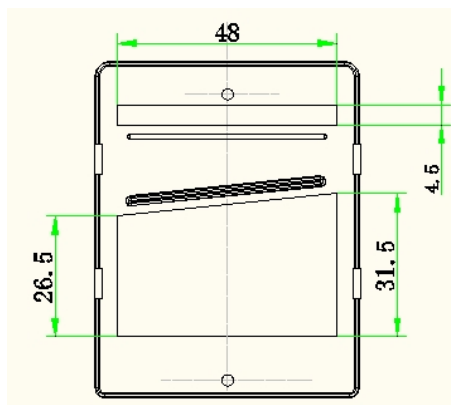
Subject: FCC Class II Permission change for FCC ID: VG8XM9P03YY
Original Grant Date: 03/31/2021

Dear Sir/Madam,

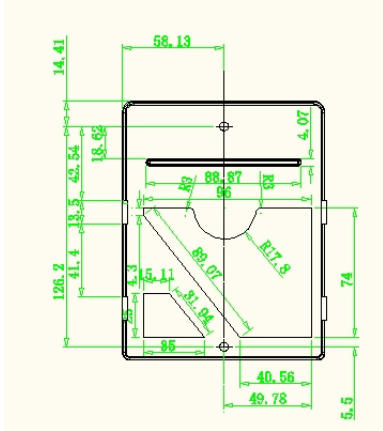
This is to request a Class II permission change to our product name: Microwave oven;
(FCC ID: VG8XM9P03YY), the device is identical to the previously certified except for the
changes as below for details;

1. Changing the waveguide outlet opening, They are just changes in shape. The shape change
of the waveguide outlet opening can improve the energy distribution in the cavity.

Original waveguide outlet opening



The New waveguide outlet opening



This authorization is valid until further written notice from the applicant.
Please contact me if you have any questions or need future information regarding this application.

Sincerely,

Signature:



Xue Wenfei
Engineer