

Microwave Oven

INSTRUCTION MANUAL

Model: EM9P032MX

Read these instructions carefully before using your microwave oven, and keep it carefully.

If you follow the instructions, your oven will provide you with many years of good service.

SAVE THESE INSTRUCTIONS CAREFULLY

Guangdong Midea Kitchen Appliances Manufacturing Co., Ltd.
No.6, Yong An Road, Beijiao, Shunde, 528311 Foshan,
Guangdong, **People's Republic of China**

www.midea.com

PRECAUTIONS TO AVOID POSSIBLE EXPOSURE TO EXCESSIVE MICROWAVE ENERGY

- (a) Do not attempt to operate this oven with the door open since open door operation can result in harmful exposure to microwave energy.
It is important not to defeat or tamper with the safety interlocks.
- (b) Do not place any object between the oven front face and the door or allows soil or cleaner residue to accumulate on sealing surfaces.
- (c) Do not operate the oven if it is damaged. It is particularly important that the oven door close properly and that there is no damage to the:
 - (1) DOOR (bent)
 - (2) HINGES AND LATCHES (broken or loosened)
 - (3) DOOR SEALS AND SEALING SURFACES
- (d) The oven should not be adjusted or repaired by anyone except properly qualified service personnel.

SPECIFICATIONS

| | |
|---------------------------------|------------|
| Model: | EM9P032MX |
| Rated Voltage: | 120V~ 60Hz |
| Rated Input Power (Microwave): | 1400W |
| Rated Output Power (Microwave): | 900W |

IMPORTANT SAFETY INSTRUCTIONS

When using electrical appliances basic safety precautions should be followed, including the following:

WARNING - To reduce the risk of burns, electric shock, fire, injury to persons or exposure to excessive microwave energy:

1. Read all instructions before using the appliance.
2. Read and follow the specific: "PRECAUTIONS TO AVOID POSSIBLE EXPOSURE TO EXCESSIVE MICROWAVE ENERGY" found on page 2.
3. This appliance must be grounded. Connect only to properly grounded outlet. See "GROUNDING INSTRUCTIONS" found on page 5.
4. Install or locate this appliance only in accordance with the provided installation instructions.
5. Some products such as whole eggs and sealed containers - for example, closed glass jars - are able to explode and should not be heated in this oven.
6. Use this appliance only for its intended use as described in the manual. Do not use corrosive chemicals or vapors in this appliance. This type of oven is specifically designed to heat, cook or dry food. It is not designed for industrial or laboratory use.
7. As with any appliance, close supervision is necessary when used by children.
8. Do not operate this appliance if it has a damaged cord or plug, if it is not working properly, or if it has been damaged or dropped.
9. This appliance should be serviced only by qualified service personnel. Contact nearest authorized service facility for examination, repair, or adjustment.
10. Do not cover or block any openings on the appliance.
11. Do not store this appliance outdoors. Do not use this product near water - for example, near a kitchen sink, in a wet basement, near a swimming pool, or similar location.
12. Do not immerse cord or plug in water.
13. Keep cord away from heated surface.
14. Do not let cord hang over edge of table or counter.
15. When cleaning surfaces of door and oven that comes together on closing the door, use only mild, nonabrasive soaps, or detergent applied with a sponge or soft cloth.
16. To reduce the risk of fire in the oven cavity:
 - 1). Do not overcook food. Carefully attend appliance when paper, plastic, or other combustible materials are placed inside the oven to facilitate cooking.
 - 2). Remove wire twist-ties from paper or plastic bag before placing bag in oven.
 - 3). If material inside of the oven ignite, keep oven door closed, turn oven off, and disconnect the power cord, or shut off power at the fuse or circuit breaker panel.
 - 4). Do not use the cavity for storage purposes. Do not leave paper products, cooking utensils, or food in the cavity when not in use.

17. Liquids, such as water, coffee, or tea are able to be overheated beyond the boiling point without appearing to be boiling. Visible bubbling or boiling when the container is removed from the microwave oven is not always present.

THIS COULD RESULT IN VERY HOT LIQUID SUDDENLY BOILING OVER WHEN THE CONTAINER IS DISTURBED OR A UTENSIL IS INSERTED INTO THE LIQUID.

To reduce the risk of injury to persons:

- 1) Do not overheat the liquid.
- 2) Stir the liquid both before and halfway through heating it.
- 3) Do not use straight-sided containers with narrow necks.
- 4) After heating, allow the container to stand in the microwave oven for a short time before removing the container.
- 5) Use extreme care when inserting a spoon or other utensil into the container.

SAVE THESE INSTRUCTIONS

GROUNDING INSTRUCTIONS

This appliance must be grounded. In the event of an electrical short circuit, grounding reduces the risk of electric shock by providing an escape wire for the electric current. This appliance is equipped with a cord having a grounding wire with a grounding plug. The plug must be plugged into an outlet that is properly installed and grounded.

WARNING - Improper use of the grounding can result in a risk of electric shock. Consult a qualified electrician or serviceman if the grounding instructions are not completely understood, or if doubt exists as to whether the appliance is properly grounded. If it is necessary to use an extension cord, use only a 3-wire extension cord that has a 3-blade grounded plug, and 3-slot receptacle that will accept the plug on the appliance. The marked rating of the extension cord shall be equal to or greater than the electrical rating of the appliance.

DANGER - Electric Shock Hazard

Touching some of the internal components can cause serious personal injury or death. Do not disassemble this appliance.

WARNING - Electric Shock Hazard

Improper use of the grounding can result in electric shock. Do not plug into an outlet until appliance is properly installed and grounded.

1. A short power-supply cord is provided to reduce the risks resulting from becoming entangled in or tripping over a longer cord.
2. Longer cord sets or extension cords are available and may be used if care is exercised in their use.
3. If a long cord or extension cord is used:
 - 1) The marked electrical rating of the cord set or extension cord should be at least as great as the electrical rating of the appliance.
 - 2) The extension cord must be a grounding-type 3-wire cord.
 - 3) The longer cord should be arranged so that it will not drape over the counter top or tabletop where it can be pulled on by children or tripped over unintentionally.

RADIO INTERFERENCE

1. Operation of the microwave oven may cause interference to your radio, TV or similar equipment.
2. When there is interference, it may be reduced or eliminated by taking the following measures:
 - 1) Clean door and sealing surface of the oven
 - 2) Reorient the receiving antenna of radio or television.
 - 3) Relocate the microwave oven with respect to the receiver.
 - 4) Move the microwave oven away from the receiver.
 - 5) Plug the microwave oven into a different outlet so that microwave oven and receiver are on different branch circuits.

This device complies with Part 18 of the FCC Rules.

UTENSILS

CAUTION - Personal Injury Hazard

Tightly-closed utensils could explode. Closed containers should be opened and plastic pouches should be pierced before cooking.

See the instructions on "Materials you can use in microwave oven or to be avoided in microwave oven."

There may be certain non-metallic utensils that are not safe to use for microwaving. If in doubt, you can test the utensil in question following the procedure below.

Utensil Test:

1. Fill a microwave-safe container with 1 cup of cold water (250ml) along with the utensil in question.
2. Cook on maximum power for 1 minute.
3. Carefully feel the utensil. If the empty utensil is warm, do not use it for microwave cooking.
4. Do not exceed 1 minute cooking time.

Materials you can use in microwave oven

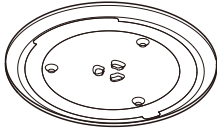
| Utensils | Remarks |
|-----------------------|--|
| Browning dish | Follow manufacturer's instructions. The bottom of browning dish must be at least 3/16 inch (5mm) above the turntable. Incorrect usage may cause the turntable to break. |
| Dinnerware | Microwave-safe only. Follow manufacturer's instructions. Do not use cracked or chipped dishes. |
| Glass jars | Always remove lid. Use only to heat food until just warm. Most glass jars are not heat resistant and may break. |
| Glassware | Heat-resistant oven glassware only. Make sure there is no metallic trim. Do not use cracked or chipped dishes. |
| Oven cooking bags | Follow manufacturer's instructions. Do not close with metal tie. Make slits to allow steam to escape. |
| Paper plates and cups | Use for short-term cooking/warming only. Do not leave oven unattended while cooking. |
| Paper towels | Use to cover food for reheating and absorbing fat. Use with supervision for a short-term cooking only. |
| Parchment paper | Use as a cover to prevent splattering or a wrap for steaming. |
| Plastic | Microwave-safe only. Follow the manufacturer's instructions. Should be labeled "Microwave Safe". Some plastic containers soften, as the food inside gets hot. "Boiling bags" and tightly closed plastic bags should be slit, pierced or vented as directed by package. |
| Plastic wrap | Microwave-safe only. Use to cover food during cooking to retain moisture. Do not allow plastic wrap to touch food. |
| Thermometers | Microwave-safe only (meat and candy thermometers). |
| Wax paper | Use as a cover to prevent splattering and retain moisture. |

Materials to be avoided in microwave oven

| Utensils | Remarks |
|---------------------------------|--|
| Aluminum tray | May cause arcing. Transfer food into microwave-safe dish. |
| Food carton with metal handle | May cause arcing. Transfer food into microwave-safe dish. |
| Metal or metal-trimmed utensils | Metal shields the food from microwave energy. Metal trim may cause arcing. |
| Metal twist ties | May cause arcing and could cause a fire in the oven. |
| Paper bags | May cause a fire in the oven. |
| Plastic foam | Plastic foam may melt or contaminate the liquid inside when exposed to high temperature. |
| Wood | Wood will dry out when used in the microwave oven and may split or crack. |

NAMES OF OVEN PARTS AND ACCESSORIES

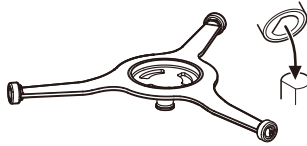
Remove the oven and all materials from the carton and oven cavity. Your oven comes with the following accessories:



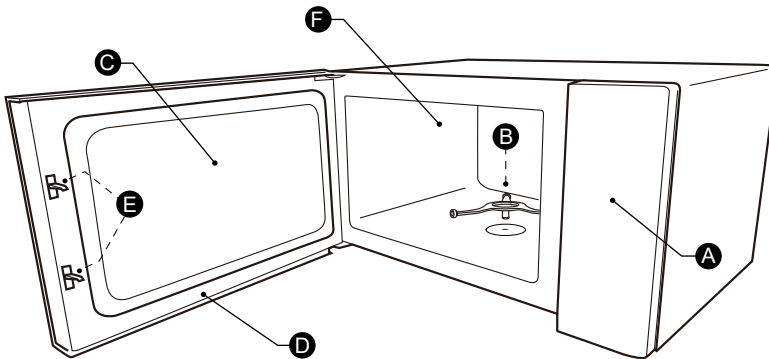
Glass Tray



Instruction Manual



Turntable Ring Assembly

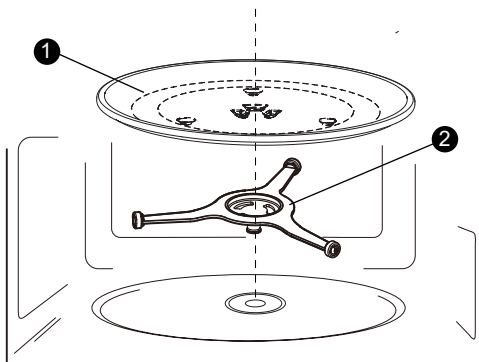


- A) Control panel
- B) Turntable Ring Assembly
- C) Observation window

- D) Door assembly
- E) Safety interlock system
- F) Oven cavity

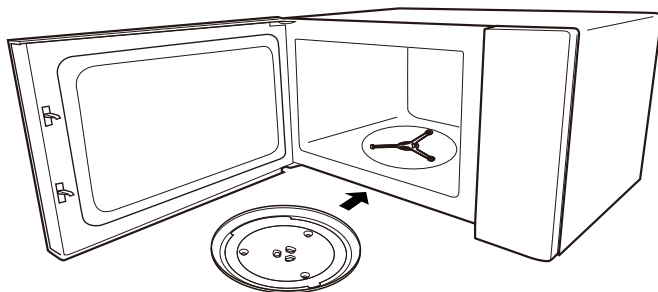
NAMES OF OVEN PARTS AND ACCESSORIES

Cleaning the cooking compartment and putting the turntable in place. For new installations, make sure all packaging and shipping tape has been removed. Before using the appliance to prepare food for the first time, you will need to put the turntable in place correctly. You must clean the cooking compartment and accessories.



1) Glass Tray

2) Turntable Ring Assembly



Note:

1. Never use the appliance without the turntable. Make sure that it is properly engaged. The turntable can turn clockwise or anti-clockwise.
2. Never place the glass tray upside down. The glass tray should never be restricted.
3. Both glass tray and turntable ring assembly must always be used during cooking.
4. All food and containers of food are always placed on the glass tray for cooking.
5. Never restrict the movement of the turntable.
6. If glass tray or turntable ring assembly cracks or breaks, contact your nearest authorized service center.

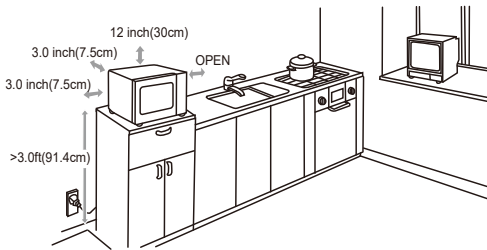
Countertop Installation

Remove all packing material and accessories. Examine the oven for any damage such as dents or broken door. Do not install if oven is damaged.

Cabinet: Remove any protective film found on the microwave oven cabinet surface. Do not remove the light brown Mica cover that is attached to the oven cavity to protect the magnetron.

Installation

1. Select a level surface that provide enough open space for the intake and/or outlet vents.



A minimum clearance of 3.0 inches (7.5cm) is required between the oven and any adjacent walls. One side must be open. The minimum installation height is 3.0ft(91.4cm).

- (1) Leave a minimum clearance of 12 inches (30cm) above the oven.
- (2) Do not remove the legs from the bottom of the oven.

- (3) Blocking the intake and/or outlet openings can damage the oven.
 - (4) Place the oven as far away from radios and TV as possible. Operation of microwave oven may cause interference to your radio or TV reception.
2. Plug your oven into a standard household outlet. Be sure the voltage and the frequency is the same as the voltage and the frequency on the rating label.

WARNING: Do not install oven over a range cooktop or other heat-producing appliance. If installed near or over a heat source, the oven could be damaged and the warranty would be void.

OPERATION

1. Setting the Clock

- (1) Press "CLOCK" and then "00:00" will display.
- (2) Press number keys to enter the time. Example: To set the clock to 12:10, please press "1,2,1,0" in turn.
- (3) Press "CLOCK" to confirm. The clock is set.
- (4) If the entered number is not within the range of 1:00-12:59, the setting is invalid.

Notes:

- (1) In the process of clock setting, if the "STOP/Cancel" button is pressed or if there is no operation within 1 minute, the oven will return to the former setting.
- (2) To reset the clock, please repeat step 1 to step 3.
- (1) If the clock is not set, it would not work when powered.

2. Setting the Kitchen Timer

- (1) Press "TIMER" and then "00:00" will display.
- (2) Press number keys to enter the desired time. The maximum time value is "99:99".
- (3) Press "START+30sec." to confirm. The timer starts counting down.

Note: The kitchen timer is a timer, any other programs can not be set.

3. Multi-Stage Cooking

Notes: (1) Two cooking stages can be set in multi-stage cooking. microwave, time defrost and weight defrost can be the first stage.

- (2) If you set weight defrost function, it will work automatically in the first stage.

Example: defrost food for 5 minutes and then cook with 80% microwave power for 7 minutes

- (1) Press "Time Defrost" and then the screen will display "dEF2".
- (2) Press "5", "0", "0" to set the desired defrost time of 5 minutes.
- (3) Press "MICRO" and then "P100" will display.
- (4) Press "8" to set the power level of P80.
- (5) Press "COOK TIME" and then press "7", "0", "0" to set the cooking time.
- (6) Press "START+30sec." to start cooking.

4. Microwave Cooking

- (1) Press "COOK TIME" and then "00:00" will display.
- (2) Press number keys to enter cooking time. The maximum time value is "99:99".
- (3) Press "MICRO" and then press number keys to adjust the power level.
The 11 power levels are available.
- (4) Press "START+30sec." to start cooking.
Example: to cook the food with PL50 for 15 minutes
 - a. Press "COOK TIME".
 - b. Press "1", "5", "0", "0" in order.
 - c. Press "MICRO" and then press "5" to select PL50.
 - d. Press "START+30sec." to start cooking.

Notes: (1) Pressing "STOP/Cancel" during operation or there is no operation in 1 minute,
(2) The power level can be changed during operation. Press "MICRO" and then the current power will flash for 3 seconds. Press number keys to change the power. The oven will work with the selected power.

5. Speed Cooking

In waiting state, pressing number keys 1 to 6 to cook with 100% microwave cooking , Then you can press "START+30sec." to increase the cooking time. The maximum time value is 99 minutes.
In waiting state, press "START+30sec." to cook with 100% power level for 30 seconds directly, Each one more press on "START+30sec." can increase the time by 30 seconds.

Notes:press "START+30sec." to increase the cooking time during microwave cooking and time defrost expect weight defrost and auto menu.

6. Defrost by Weight

- (1) Press "WGT. Defrost" and then the screen will display "dEF1".
- (2) Press number keys to enter the weight of food. The range of weight is 4 to 70Oz.
- (3) Press "START+30sec." to start defrosting.
- (4) Once defrosting has finished, the buzzer will sound five times.

7. Defrost by Time

- (1) Press "Time Defrost" and then the screen will display "dEF2".
- (2) Press number keys to set the desired defrost time. The maximum time value is "99:99".
- (3) Press "START+30sec." to start defrosting.
- (4) Once defrosting has finished, the buzzer will sound five times.

8. Silent mode

To activate the silent mode:

In waiting state, press and hold "8" for 3 seconds. A long beep will sound. When you press the keys, it does not make a sound.

To deactivate the silent mode:

In silent mode, press and hold "8" for 3 seconds. A long beep will sound.

9. ECO Function

To enter ECO mode:

In waiting state, press "0/ECO". The screen will turn off.

To cancel ECO mode:

In ECO mode, press any key. turn the knob or open the door to cancel ECO mode.

Note:When the door is open,press "0/ECO" to turn off the screen.Then furnace lights still on.

10. Inquiring Function

- (1) If the clock has been set, the current time will display for three seconds by pressing "Timer" in the cooking state.
- (2) In the microwave cooking state, press "MICRO" to inquire the power level. It will display for three seconds.

11. Lock Function for Children

You can use this function to prevent children from accidentally turning the oven on.

To activate the lock:

In waiting state, press and hold "Stop/Cancel" for three seconds. A long beep sounds and the locked icon will display.

To deactivate the lock:

In locked state, press and hold "Stop/Cancel" for three seconds. A long beep sounds.

12. Auto menu Popcorn

(a) In waiting state, press “POPCORN” repeatedly to select the weight of popcorn you want. “1.75”, “3.2” and “3.5” will display in order.

Example: press “POPCORN” once and then “1.75” displays

(b) Press “START+30sec.” to start cooking.

Auto Menu Chart

| Menu | Weight | Display |
|-------------------------|--------------|-------------------|
| A-1 Popcorn | 1.75Oz | 1.75 ⁻ |
| | 3.2Oz | 3.2 ⁻ |
| | 3.5Oz | 3.5 ⁻ |
| A-2 Potato | 1 | 1 |
| | 2 | 2 |
| | 3 | 3 |
| A-3 Pizza | 4.0Oz | 4.0 ⁻ |
| | 8.0Oz | 8.0 ⁻ |
| | 14.0Oz | 14.0 ⁻ |
| A-4 Frozen vegetable | 4.0Oz | 4.0 ⁻ |
| | 8.0Oz | 8.0 ⁻ |
| | 16.0Oz | 16.0 ⁻ |
| A-5 Beverage | 1cup(120ML) | 1- |
| | 2cups(240ML) | 2- |
| | 3cups(360ML) | 3- |
| A-6 Dinner Plate | 9.0Oz | 9.0 ⁻ |
| | 12.0Oz | 12.0 ⁻ |
| | 18.0Oz | 18.0 ⁻ |

MAINTENANCE

Troubleshooting

Check your problem by using the chart below and try the solutions for each problem. If the microwave oven still does not work properly, contact the nearest authorized service center.

| TROUBLE | POSSIBLE CAUSE | POSSIBLE REMEDY |
|-----------------------|---|---|
| Oven will not start | <ul style="list-style-type: none"> a. Electrical cord for oven is not plugged in. b. Door is open. c. Wrong operation is set. | <ul style="list-style-type: none"> a. Plug into the outlet. b. Close the door and try again. c. Check instructions. |
| Arcing or sparking | <ul style="list-style-type: none"> a. Materials to be avoided in microwave oven were used. b. The oven is operated when empty. c. Spilled food remains in the cavity. | <ul style="list-style-type: none"> a. Use microwave-safe cookware only. b. Do not operate with oven empty. c. Clean cavity with wet towel. |
| Unevenly cooked foods | <ul style="list-style-type: none"> a. Materials to be avoided in microwave oven were used. b. Food is not defrosted completely. c. Cooking time, power level is not suitable. d. Food is not turned or stirred. | <ul style="list-style-type: none"> a. Use microwave-safe cookware only. b. Completely defrost food. c. Use correct cooking time, power level. d. Turn or stir food. |
| Overcooked foods | <ul style="list-style-type: none"> Cooking time, power level is not suitable. | <ul style="list-style-type: none"> Use correct cooking time, power level. |
| Undercooked foods | <ul style="list-style-type: none"> a. Materials to be avoided in microwave oven were used. b. Food is not defrosted completely. c. Oven ventilation ports are restricted. d. Cooking time, power level is not suitable. | <ul style="list-style-type: none"> a. Use microwave-safe cookware only. b. Completely defrost food. c. Check to see that oven ventilation ports are not restricted. d. Use correct cooking time, power level. |
| Improper defrosting | <ul style="list-style-type: none"> a. Materials to be avoided in microwave oven were used. b. Cooking time, power level is not suitable. c. Food is not turned or stirred. | <ul style="list-style-type: none"> a. Use microwave-safe cookware only. b. Use correct cooking time, power level. c. Turn or stir food. |