

Microwave Oven

INSTRUCTION MANUAL

Model:TM945A2MH-P

Read these instructions carefully before using your microwave oven, and keep it carefully.

If you follow the instructions, your oven will provide you many years of good service.

SAVE THESE INSTRUCTIONS CAREFULLY

PRECAUTIONS TO AVOID POSSIBLE EXPOSURE TO EXCESSIVE MICROWAVE ENERGY

- (a) Do not attempt to operate this oven with the door open since door operation can result in harmful exposure to microwave energy.
It is important not to defeat or tamper with the safety interlocks.
- (b) Do not place any object between oven front face and the door or allow soil or cleaner residue to accumulate on sealing surfaces.
- (c) Do not operate the oven if it is damaged. It is particularly important that the oven door close properly and that there is no damage to the:
 - (1) DOOR (bent)
 - (2) HINGES AND LATCHES (broken or loosened)
 - (3) DOOR SEALS AND SEALING SURFACES
- (d) The oven should not be adjusted or repaired by anyone except properly qualified service personnel.

Specifications

Model:	TM945A2MH-P
Rated Voltage:	120V~ 60Hz
Rated Input Power (Microwave):	1500W
Rated Output Power (Microwave):	900W
Oven Capacity:	45L
Turntable Diameter:	Ø 345mm
External Dimensions:	553 X 455 X 331mm
Net Weight:	Approx. 17 kg

IMPORTANT SAFETY INSTRUCTIONS

When using electrical appliances basic safety precautions should be followed, including the following:

WARNING - To reduce the risk of burns, electric shock, fire, injury to persons or exposure to excessive microwave energy:

1. Read all instructions before using the appliance.
2. Read and follow the specific: "PRECAUTIONS TO AVOID POSSIBLE EXPOSURE TO EXCESSIVE MICROWAVE ENERGY" found on page 2.
3. This appliance must be grounded. Connect only to properly grounded outlet. See "GROUNDING INSTRUCTIONS" found on page 4.
4. Install or locate this appliance only in accordance with the provided installation instructions.
5. Some products such as whole eggs and sealed containers - for example, closed glass jars - are able to explode and should not be heated in this oven.
6. Use this appliance only for its intended use as described in the manual. Do not use corrosive chemicals or vapors in this appliance. This type of oven is specifically designed to heat, cook or dry food. It is not designed for industrial or laboratory use.
7. As with any appliance, close supervision is necessary when used by children.
8. Do not operate this appliance if it has a damaged cord or plug, if it is not working properly, or if it has been damaged or dropped.
9. This appliance should be serviced only by qualified service personnel. Contact nearest authorized service facility for examination, repair, or adjustment.
10. Do not cover or block any openings on the appliance.
11. Do not store this appliance outdoors. Do not use this product near water - for example, near a kitchen sink, in a wet basement, near a swimming pool, or similar location.
12. Do not immerse cord or plug in water.
13. Keep cord away from heated surface.
14. Do not let cord hang over edge of table or counter.
15. When cleaning surfaces of door and oven that comes together on closing the door, use only mild, nonabrasive soaps, or detergent applied with a sponge or soft cloth.
16. To reduce the risk of fire in the oven cavity:
 - 1). Do not overcook food. Carefully attend appliance when paper, plastic, or other combustible materials are placed inside the oven to facilitate cooking.
 - 2). Remove wire twist-ties from paper or plastic bag before placing bag in oven.
 - 3). If material inside of the oven ignite, keep oven door closed, turn oven off, and disconnect the power cord, or shut off power at the fuse or circuit breaker panel.
 - 4). Do not use the cavity for storage purposes. Do not leave paper products, cooking utensils, or food in the cavity when not in use.
17. Liquids, such as water, coffee, or tea are able to be overheated beyond the boiling point without appearing to be boiling. Visible bubbling or boiling when the container is removed from the microwave oven is not always present.

THIS COULD RESULT IN VERY HOT LIQUID SUDDENLY BOILING OVER WHEN THE CONTAINER IS DISTURBED OR A UTENSIL IS INSERTED INTO THE LIQUID.

To reduce the risk of injury to persons:

- 1) Do not overheat the liquid.
- 2) Stir the liquid both before and halfway through heating it.
- 3) Do not use straight-sided containers with narrow necks.
- 4) After heating, allow the container to stand in the microwave oven for a short time before removing the container.
- 5) Use extreme care when inserting a spoon or other utensil into the container.

SAVE THESE INSTRUCTIONS

GROUNDING INSTRUCTIONS

This appliance must be grounded. In the event of an electrical short circuit, grounding reduces the risk of electric shock by providing an escape wire for the electric current. This appliance is equipped with a cord having a grounding wire with a grounding plug. The plug must be plugged into an outlet that is properly installed and grounded.

WARNING - Improper use of the grounding can result in a risk of electric shock.

Consult a qualified electrician or serviceman if the grounding instructions are not completely understood, or if doubt exists as to whether the appliance is properly grounded. If it is necessary to use an extension cord, use only a 3-wire extension cord that has a 3-blade grounded plug, and 3-slot receptacle that will accept the plug on the appliance. The marked rating of the extension cord shall be equal to or greater than the electrical rating of the appliance.

DANGER - Electric Shock Hazard

Touching some of the internal components can cause serious personal injury or death. Do not disassemble this appliance.

WARNING - Electric Shock Hazard

Improper use of the grounding can result in electric shock. Do not plug into an outlet until appliance is properly installed and grounded.

1. A short power-supply cord is provided to reduce the risks resulting from becoming entangled in or tripping over a longer cord.
2. Longer cord sets or extension cords are available and may be used if care is exercised in their use.
3. If a long cord or extension cord is used:
 - 1) The marked electrical rating of the cord set or extension cord should be at least as great as the electrical rating of the appliance.
 - 2) The extension cord must be a grounding-type 3-wire cord.
 - 3) The longer cord should be arranged so that it will not drape over the counter top or tabletop where it can be pulled on by children or tripped over unintentionally.

RADIO INTERFERENCE

1. Operation of the microwave oven may cause interference to your radio, TV or similar equipment.
2. When there is interference, it may be reduced or eliminated by taking the following measures:
 - 1) Clean door and sealing surface of the oven
 - 2) Reorient the receiving antenna of radio or television.
 - 3) Relocate the microwave oven with respect to the receiver.
 - 4) Move the microwave oven away from the receiver.
 - 5) Plug the microwave oven into a different outlet so that microwave oven and receiver are on different branch circuits.

SAFETY

1. The oven must be on a leveled surface.
2. The turntable and turntable roller rest must be in the oven during cooking. Place the cookware gently on the turntable and handle it carefully to avoid possible breakage.
3. Incorrect use of browning dish may cause the turntable to break.
4. Use only the specified bag size when using Direct Access Popcorn.
5. The oven has several built-in safety switches to ensure that the power remains off when the door is open. Do not tamper with these switches.
6. Do not operate the microwave oven empty. Operating the oven with no food or food that is extremely low in moisture can cause fire, charring or sparking.
7. Do not cook bacon directly on the turntable. Excessive local heating of the turntable may cause the turntable to break.
8. Do not heat baby bottles or baby food in the microwave oven. Uneven heating may occur and could cause physical injury.
9. Do not heat narrow-necked containers, such as syrup bottles.
10. Do not attempt to deep-fry in your microwave oven.
11. Do not attempt home canning in this microwave oven, as it is impossible to be sure all contents of the jar have reached boiling temperature.

12. Do not use this microwave oven for commercial purpose. This microwave oven is made for household use only.
13. To prevent delayed eruptive boiling of hot liquids and beverages or scalding yourself, stir liquid before placing the container in the oven and again halfway through cooking time. Let stand in the oven for a short time and stir again before removing the container.
14. Use carefully when cooking food in the microwave oven to avoid burning due to excessive cooking.
15. When the appliance is operated in the combination mode, children should only use the oven under adult supervision due to the temperatures generated.
16. Failure to maintain the oven in a clean condition could lead to deterioration that could adversely affect the life of the appliance and possibly result in a hazardous situation.

UTENSILS

CAUTION - Personal Injury Hazard

Tightly-closed utensils could explode. Closed containers should be opened and plastic pouches should be pierced before cooking.

See the instructions on "Materials you can use in microwave oven or to be avoided in microwave oven."

There may be certain non-metallic utensils that are not safe to use for microwaving. If in doubt, you can test the utensil in question following the procedure below.

Utensil Test:

1. Fill a microwave-safe container with 1 cup of cold water (250ml) along with the utensil in question.
2. Cook on maximum power for 1 minute.
3. Carefully feel the utensil. If the empty utensil is warm, do not use it for microwave cooking.
4. Do not exceed 1 minute cooking time.

Materials you can use in microwave oven

Utensils	Remarks
Browning dish	Follow manufacturer* instructions. The bottom of browning dish must be at least 3/16 inch (5mm) above the turntable. Incorrect usage may cause the turntable to break.
Dinnerware	Microwave-safe only. Follow manufacturer's instructions. Do not use cracked or chipped dishes.
Glass jars	Always remove lid. Use only to heat food until just warm. Most glass jars are not heat resistant and may break.
Glassware	Heat-resistant oven glassware only. Make sure there is no metallic trim. Do not use cracked or chipped dishes.
Oven cooking bags	Follow manufacturer* instructions. Do not close with metal tie. Make slits to allow steam to escape.
Paper plates and cups	Use for short*erm cooking/warming only. Do not leave oven unattended while cooking.
Paper towels	Use to cover food for reheating and absorbing fat. Use with supervision for a short-term cooking only.
Parchment paper	Use as a cover to prevent splattering or a wrap for steaming.
Plastic	Microwave-safe only. Follow the manufacturer* instructions. Should be labeled "Microwave Safe". Some plastic containers soften, as the food inside gets hot. "Boiling bags" and tightly closed plastic bags should be slit, pierced or vented as directed by package.
Plastic wrap	Microwave-safe only. Use to cover food during cooking to retain moisture. Do not allow plastic wrap to touch food.
Thermometers	Microwave-safe only (meat and candy thermometers).
Wax paper	Use as a cover to prevent splattering and retain moisture.

Materials to be avoided in microwave oven

Utensils	Remarks
Aluminum tray	May cause arcing. Transfer food into microwave-safe dish.
Food carton with metal handle	May cause arcing. Transfer food into microwave-safe dish.
Metal or metal-trimmed utensils	Metal shields the food from microwave energy. Metal trim may cause arcing.
Metal twist ties	May cause arcing and could cause a fire in the oven.
Paper bags	May cause a fire in the oven.
Plastic foam	Plastic foam may melt or contaminate the liquid inside when exposed to high temperature.
Wood	Wood will dry out when used in the microwave oven and may split or crack.

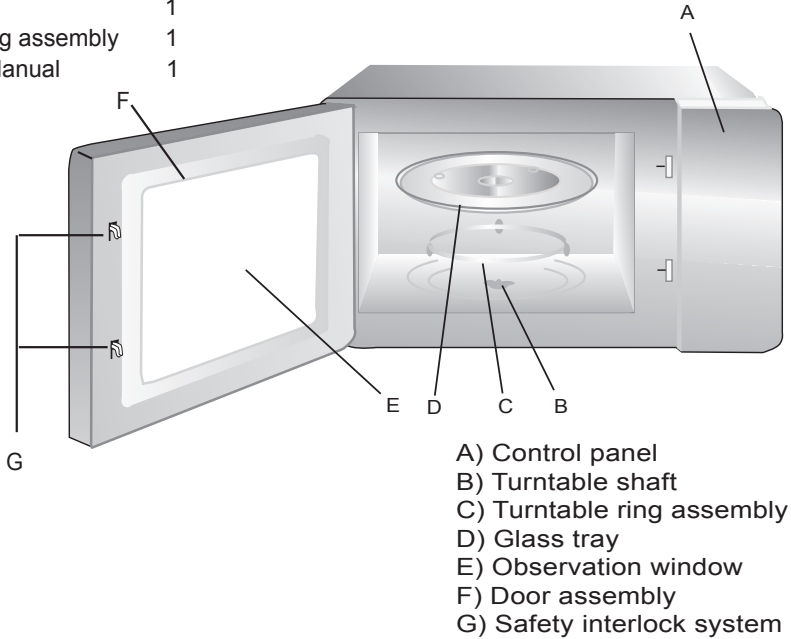
SETTING UP YOUR OVEN

Names of Oven Parts and Accessories

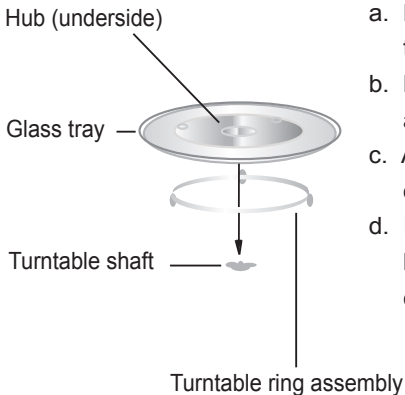
Remove the oven and all materials from the carton and oven cavity.

Your oven comes with the following accessories:

Glass tray	1
Turntable ring assembly	1
Instruction Manual	1



Turntable Installation



- Never place the glass tray upside down. The glass tray should never be restricted.
- Both glass tray and turntable ring assembly must always be used during cooking.
- All food and containers of food are always placed on the glass tray for cooking.
- If glass tray or turntable ring assembly cracks or breaks, contact your nearest authorized service center.

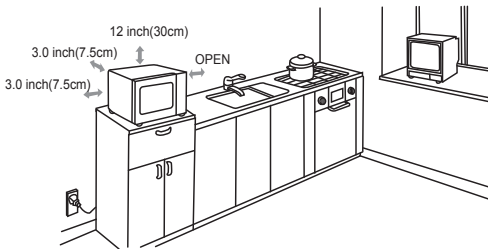
Countertop Installation

Remove all packing material and accessories. Examine the oven for any damage such as dents or broken door. Do not install if oven is damaged.

Cabinet: Remove any protective film found on the microwave oven cabinet surface. Do not remove the light brown Mica cover that is attached to the oven cavity to protect the magnetron.

Installation

1. Select a level surface that provide enough open space for the intake and/or outlet vents.



A minimum clearance of 3.0 inches (7.5cm) is required between the oven and any adjacent walls. One side must be open.

- (1) Leave a minimum clearance of 12 inches (30cm) above the oven.
- (2) Do not remove the legs from the bottom of the oven.

- (3) Blocking the intake and/or outlet openings can damage the oven.
 - (4) Place the oven as far away from radios and TV as possible. Operation of microwave oven may cause interference to your radio or TV reception.
2. Plug your oven into a standard household outlet. Be sure the voltage and the frequency is the same as the voltage and the frequency on the rating label.

WARNING: Do not install oven over a range cooktop or other heat-producing appliance. If installed near or over a heat source, the oven could be damaged and the warranty would be void.

OPERATION



1. Power Level


11 power levels are available.

Level	10	9	8	7	6	5	4	3	2	1	0
Power	100%	90%	80%	70%	60%	50%	40%	30%	20%	10%	0%
Display	PL-Hi	PL-90	PL-80	PL-70	PL-60	PL-50	PL-40	PL-30	PL-20	PL-10	PL-0

2. User Option

When the microwave oven is plugged into a outlet, the oven will display "12:00", "ENTER TIME", and enters into wating state.

- 1) In waiting state, press "  " once to set the clock.
- 2) Press "  " repeatedly to set beeper volume, units of weight, power save mode and DEMO mode. Press " START/ +30 Sec" to confirm the setting.

Times(Press )	Setting	Display
1 Clock setting	Setting the clock	Please consult "Clock Setting"
2 Beeper Volume	VOLUME LOW	LOW
	VOLUME MED	MED
	VOLUME HIGH	HIGH
	VOLUME OFF	OFF
3 Units of weight LB/KG	LB	LB
	KG	KG
4 Power save mode	Power save off	OFF
	Power save on	ON
5 DEMO mode	DEMO off	OFF
	DEMO on	On


Note:

- (1) During the beeper volume setting, "VOLUME LOW", "VOLUME MED", "VOLUME HIGH" and "VOLUME OFF" will displayed on the screen in cycle.
- (2) Clock cannot be set under the power save mode.

3. Clock Setting

- 1) In the waiting state press the number keys to set the clock. ":" will flash during the clock setting process. For example, time is 10:12 now, please press "1,0,1,2" in turn.
- 2) Press " START/ +30 Sec " to finish clock setting.
- 3) If the numbers input are not within the range of 1:00--12:59, the setting will be invalid until valid numbers are input.
- 4) If no need to set the clock, press " STOP/CANCEL " to cancel clock setting and the nothing is displayed on the screen.

Note:

- 1) In the process of clock setting, if the "START/ +30 Sec " button isn't pressed or if there is no operation within 5 minute, the oven will go back to the former state automatically.
- 2) If need to reset the clock, press " " once and follow the above steps.
- 3) If the clock is not set or canceled, any press of other function keys is invalid and cannot enter into the corresponding function.

4. Kitchen Timer

- 1) Press " Timer On-Off ", the screen will display "ENTER TIME" .
- 2) Press the number keys and enter the correct timer.(The maximum time is 99 minutes and 99 seconds)
- 3) Press " Timer On-Off " to confirm setting .
- 4) When the kitchen time arrives, the buzzer will sound 3 "beep" and the screen will display "TIMER DONE". If the clock be set (12-hour system), the screen will display the current time after counting down.

Note: Kitchen timer can work with other cooking program.

5. Microwave cook

- 1) Press number keys to input the cooking time; the maximum cooking time is 99 minutes and 99 seconds.
- 2) Press " POWER LEVEL " once, the screen will display "PL-Hi". The default power is 100% power. Repeatedly press the key to choose the power level you need.
- 3) Press " START/+30 Sec " to start cooking.

Example: to cook the food with 50% microwave power for 15 minutes.

- a. Press number keys "1", "5", "0", "0" in order.
- b. Press "POWER LEVEL" for several times until the screen display "PL-50".
- c. Press "START/+30Sec" to start cooking.

Note:

- 1) In the process of cooking, if the " STOP/CANCEL " button is pressed , the cooking will be suspended and the surplus time will display.

2) When the cooking time arrives, the buzzer will sound 3 "beep" and the screen will display " FOOD READY". The buzzer will sound 3 "beep" every 30 seconds and press " STOP/CANCEL" to cancel.

6. Speedy Cooking

1) In waiting state, instant cooking at 100% power level can be started by select a cooking time from 1 to 9 minutes by pressing number pads 1 to 9.

2) Under microwave and multi stage cooking states, press "START/+30Sec" button to increase cooking time by 30 seconds.

7. Defrosting

1) Press " DEFROST ", the screen will display "MEAT".

2) Press " DEFROST " repeatedly and the screen will display "POULTRY", "FISH" in order. Stop pressing until the screen displays the menu you need.

3) Press " START/+30Sec ", the screen will display "ENTER WEIGHT" to remind you set the defrost weight.

4) Press number keys to set the defrost weight.

5) Press " START/+30Sec " to start defrosting.

Note: When half of the time pass, the buzzer will sound 3 "beep" to remind you turn the food.

In order to have a better effect of grilling food, you should turn the food over, close the door, and then press "START/+30Sec" to continue cooking.

8. Multi-stage cooking

At most 2 sections can be set for cooking. When the first stage finish, the buzzer will sound twice and the next stage will begin cooking.

Example: if you want to cook with 80% microwave power for 5 minutes + 60% microwave power for 10 minutes. The cooking steps are as following.

1) Press "5","0","0" to set 5 minutes.

2) Press "POWER LEVEL" repeatedly until the screen display "PL-80".

3) Press "1","0","0","0" to set 10 minutes.

4) Press "POWER LEVEL" repeatedly until the screen display "PL-60".

5) Press "START/+30Sec" to start cooking.

Note:

(1) Kitchen timer, auto menu, speedy cooking and defrosting cannot work in multi-stage cooking.

(2) During multi-stage cooking, press "START/+30Sec" can increase cooking time.

And the time is increased on the current cooking stage.

9. Auto Menu---POPCORN

- 1) Press " POPCORN " once, the screen will display "3.3 OZ". Press "POPCORN" repeatedly and "3.0 OZ", "1.75 OZ" will display in order.
- 2) Stop pressing until the screen display the weight you need.
- 3) Press " START/+30Sec" to start cooking.

Auto menu chart:



Auto menu	Menu/ Weight range		Cook Mode
Popcorn	1.75 OZ		Micro
	3.0 OZ		
	3.3 OZ		
Potato	1-4 potatoes		Sensor
Veggies	Fresh Veggies (1-4 cups)		Sensor
	Frozen Veggies (1-4 cups)		
Beverage	1 CUP		Micro
	2 CUPS		
	3 CUPS		
Reheat	Dinner Plate	1-2 Plates	Sensor
	Soup/Sauce(CU)	1 CUP	Micro
	Casserole/ Lasagna(CU)	10.5 OZ	Micro


Auto menu	Menu Weight range		Cook Mode
Sensor Cook	Frozen breakfast(8-12 OZ)		Sensor
	Ground meat		
	Fish seafood		
	Chicken Breast		
Auto Cook	Bacon	1 slice	Micro
		2 slice	
		3 slice	
	Frozen Entrée	10-20 OZ	Sensor
Rice	1-2 cups	Sensor	
Melt/Soften	Melt Butter	1 Stick	Micro
		2 Stick	
	Melt Chocolate	2 OZ	Micro
		4 OZ	
		8 OZ	
	Soften Ice Cream	Pint	Micro
		1.5 Quart	
	Soften Cream Cheese	3 OZ	Micro
8 OZ			

10. INQUIRING FUNCTION

- 1) The clock can not be inquired during cooking state.
- 2) In the microwave cooking state, press " POWER LEVEL " to inquire microwave power level and the current microwave power will be displayed. After two seconds, the oven will turn back to the previous state.

11. LOCK FUNCTION FOR CHILDREN

Lock: In waiting state, press "  " for 3 seconds, there will be a short "beep" denoting entering the children-lock state and screen will display "  " .

Lock quitting: In locked state, press "  " for 3 seconds, there will be a short "beep" denoting that lock is released.

12. COOKING END REMINDING FUNCTION

When the cooking is over, the buzzer will sound 3 "beep" and the screen will display "FOOD READY" to remind user the cooking is finished. The buzzer will sound 3 "beep" every 30 seconds, please press "STOP/CANCEL" or open the door to cancel.

13. OTHER SPECIFICATIONS

- 1) " START/+30Sec " must be pressed to continue cooking if the door is opened during cooking;
- 2) The buzzer sounds three times by inefficient press .
- 3) During the setting process, if there is no operation in 5 minutes, the oven will go back to clock state or et a blank screen.

MAINTENANCE

Troubleshooting

Check your problem by using the chart below and try the solutions for each problem. If the microwave oven still does not work properly, contact the nearest authorized service center.

TROUBLE	POSSIBLE CAUSE	POSSIBLE REMEDY
Oven will not start	<ul style="list-style-type: none">a. Electrical cord for oven is not plugged in.b. Door is open.c. Wrong operation is set.	<ul style="list-style-type: none">a. Plug into the outlet.b. Close the door and try again.c. Check instructions.
Arcing or sparking	<ul style="list-style-type: none">a. Materials to be avoided in microwave oven were used.b. The oven is operated when empty.c. Spilled food remains in the cavity.	<ul style="list-style-type: none">a. Use microwave-safe cookware only.b. Do not operate with oven empty.c. Clean cavity with wet towel.
Unevenly cooked foods	<ul style="list-style-type: none">a. Materials to be avoided in microwave oven were used.b. Food is not defrosted completely.c. Cooking time, power level is not suitable.d. Food is not turned or stirred.	<ul style="list-style-type: none">a. Use microwave-safe cookware only.b. Completely defrost food.c. Use correct cooking time, power level.d. Turn or stir food.
Overcooked foods	Cooking time, power level is not suitable.	Use correct cooking time, power level.
Undercooked foods	<ul style="list-style-type: none">a. Materials to be avoided in microwave oven were used.b. Food is not defrosted completely.c. Oven ventilation ports are restricted.d. Cooking time, power level is not suitable.	<ul style="list-style-type: none">a. Use microwave-safe cookware only.b. Completely defrost food.c. Check to see that oven ventilation ports are not restricted.d. Use correct cooking time, power level.
Improper defrosting	<ul style="list-style-type: none">a. Materials to be avoided in microwave oven were used.b. Cooking time, power level is not suitable.c. Food is not turned or stirred.	<ul style="list-style-type: none">a. Use microwave-safe cookware only.b. Use correct cooking time, power level.c. Turn or stir food.