

# Microwave Oven

# **INSTRUCTION MANUAL**

Model:TM162A2GE-P

Read these instructions carefully before using your microwave oven , and keep it carefully .

If you follow the instructions, your oven will provide you with many years of good service.

**SAVE THESE INSTRUCTIONS CAREFULLY**

# PRECAUTIONS TO AVOID POSSIBLE EXPOSURE TO EXCESSIVE MICROWAVE ENERGY

- (a) Do not attempt to operate this oven with the door open since open-door operation can result in harmful exposure to microwave energy. It is important not to defeat or tamper with the safety interlocks.
- (b) Do not place any object between the oven front face and the door or allows soil or cleaner residue to accumulate on sealing surfaces.
- (c) Do not operate the oven if it is damaged. It is particularly important that the oven door close properly and that there is no damage to the:
  - (1) DOOR (bent)
  - (2) HINGES AND LATCHES (broken or loosened)
  - (3) DOOR SEALS AND SEALING SURFACES
- (d) The oven should not be adjusted or repaired by anyone except properly qualified service personnel.

## Specifications

Model:	TT F1 G0E00EJ
Rated Voltage:	120V~60Hz
Rated Input Power(Microwave):	1650W
Rated Output Power(Microwave):	1100W
Oven Capacity:	62L
Turntable Diameter:	Ø420mm
External Dimensions:	620x498x346mm
Net Weight:	Approx. 19.7 kg

# IMPORTANT SAFETY INSTRUCTIONS

When using electrical appliances basic safety precautions should be followed, including the following:

**WARNING** - To reduce the risk of burns, electric shock, fire, injury to persons or exposure to excessive microwave energy:

1. Read all instructions before using the appliance.
2. Read and follow the specific: "PRECAUTIONS TO AVOID POSSIBLE EXPOSURE TO EXCESSIVE MICROWAVE ENERGY" found on page 2.
3. This appliance must be grounded. Connect only to properly grounded outlet. See "GROUNDING INSTRUCTIONS" found on page 4.
4. Install or locate this appliance only in accordance with the provided installation instructions.
5. Some products such as whole eggs and sealed containers - for example, closed glass jars - are able to explode and should not be heated in this oven.
6. Use this appliance only for its intended use as described in the manual. Do not use corrosive chemicals or vapors in this appliance. This type of oven is specifically designed to heat, cook or dry food. It is not designed for industrial or laboratory use.
7. As with any appliance, close supervision is necessary when used by children.
8. Do not operate this appliance if it has a damaged cord or plug, if it is not working properly, or if it has been damaged or dropped.
9. This appliance should be serviced only by qualified service personnel. Contact nearest authorized service facility for examination, repair, or adjustment.
10. Do not cover or block any openings on the appliance.
11. Do not store this appliance outdoors. Do not use this product near water - for example, near a kitchen sink, in a wet basement, near a swimming pool, or similar location.
12. Do not immerse cord or plug in water.
13. Keep cord away from heated surface.
14. Do not let cord hang over edge of table or counter.
15. When cleaning surfaces of door and oven that comes together on closing the door, use only mild, nonabrasive soaps, or detergent applied with a sponge or soft cloth.
16. To reduce the risk of fire in the oven cavity:
  - 1). Do not overcook food. Carefully attend appliance when paper, plastic, or other combustible materials are placed inside the oven to facilitate cooking.
  - 2). Remove wire twist-ties from paper or plastic bag before placing bag in oven.
  - 3). If material inside of the oven ignite, keep oven door closed, turn oven off, and disconnect the power cord, or shut off power at the fuse or circuit breaker panel.
  - 4). Do not use the cavity for storage purposes. Do not leave paper products, cooking utensils, or food in the cavity when not in use.
17. Liquids, such as water, coffee, or tea are able to be overheated beyond the boiling point without appearing to be boiling. Visible bubbling or boiling when the container is removed from the microwave oven is not always present.

THIS COULD RESULT IN VERY HOT LIQUID SUDDENLY BOILING OVER WHEN THE CONTAINER IS DISTURBED OR A UTENSIL IS INSERTED INTO THE LIQUID.

To reduce the risk of injury to persons:

- 1) Do not overheat the liquid.
- 2) Stir the liquid both before and halfway through heating it.
- 3) Do not use straight-sided containers with narrow necks.
- 4) After heating, allow the container to stand in the microwave oven for a short time before removing the container.
- 5) Use extreme care when inserting a spoon or other utensil into the container.

## SAVE THESE INSTRUCTIONS

## GROUNDING INSTRUCTIONS

This appliance must be grounded. In the event of an electrical short circuit, grounding reduces the risk of electric shock by providing an escape wire for the electric current. This appliance is equipped with a cord having a grounding wire with a grounding plug. The plug must be plugged into an outlet that is properly installed and grounded.

**WARNING** - Improper use of the grounding can result in a risk of electric shock.

Consult a qualified electrician or serviceman if the grounding instructions are not completely understood, or if doubt exists as to whether the appliance is properly grounded. If it is necessary to use an extension cord, use only a 3-wire extension cord that has a 3-blade grounded plug, and 3-slot receptacle that will accept the plug on the appliance. The marked rating of the extension cord shall be equal to or greater than the electrical rating of the appliance.

**DANGER** - Electric Shock Hazard

Touching some of the internal components can cause serious personal injury or death. Do not disassemble this appliance.

**WARNING** - Electric Shock Hazard

Improper use of the grounding can result in electric shock. Do not plug into an outlet until appliance is properly installed and grounded.

1. A short power-supply cord is provided to reduce the risks resulting from becoming entangled in or tripping over a longer cord.
2. Longer cord sets or extension cords are available and may be used if care is exercised in their use.
3. If a long cord or extension cord is used:
  - 1) The marked electrical rating of the cord set or extension cord should be at least as great as the electrical rating of the appliance.
  - 2) The extension cord must be a grounding-type 3-wire cord.
  - 3) The longer cord should be arranged so that it will not drape over the counter top or tabletop where it can be pulled on by children or tripped over unintentionally.

# RADIO INTERFERENCE

1. Operation of the microwave oven may cause interference to your radio, TV or similar equipment.
2. When there is interference, it may be reduced or eliminated by taking the following measures:
  - 1) Clean door and sealing surface of the oven
  - 2) Reorient the receiving antenna of radio or television.
  - 3) Relocate the microwave oven with respect to the receiver.
  - 4) Move the microwave oven away from the receiver.
  - 5) Plug the microwave oven into a different outlet so that microwave oven and receiver are on different branch circuits.

# SAFETY

1. The oven must be on a leveled surface.
2. The turntable and turntable roller rest must be in the oven during cooking. Place the cookware gently on the turntable and handle it carefully to avoid possible breakage.
3. Incorrect use of browning dish may cause the turntable to break.
4. Use only the specified bag size when using Direct Access Popcorn.
5. The oven has several built-in safety switches to ensure that the power remains off when the door is open. Do not tamper with these switches.
6. Do not operate the microwave oven empty. Operating the oven with no food or food that is extremely low in moisture can cause fire, charring or sparking.
7. Do not cook bacon directly on the turntable. Excessive local heating of the turntable may cause the turntable to break.
8. Do not heat baby bottles or baby food in the microwave oven. Uneven heating may occur and could cause physical injury.
9. Do not heat narrow-necked containers, such as syrup bottles.
10. Do not attempt to deep-fry in your microwave oven.
11. Do not attempt home canning in this microwave oven, as it is impossible to be sure all contents of the jar have reached boiling temperature.
12. Do not use this microwave oven for commercial purpose. This microwave oven is made for household use only.
13. To prevent delayed eruptive boiling of hot liquids and beverages or scalding yourself, stir liquid before placing the container in the oven and again halfway through cooking time. Let stand in the oven for a short time and stir again before removing the container.

14. Use carefully when cooking food in the microwave oven to avoid burning due to excessive cooking.
15. When the appliance is operated in the combination mode, children should only use the oven under adult supervision due to the temperatures generated.
16. Failure to maintain the oven in a clean condition could lead to deterioration that could adversely affect the life of the appliance and possibly result in a hazardous situation.

## Federal Communications Commission (FCC) Compliance Notice

This equipment complies with FCC radiation exposure limits set forth for an uncontrolled environment. This equipment should be installed and operated with minimum distance 20cm between the radiator&your body. This transmitter must not be co-located or operating in conjunction with any other antenna or transmitter.

Any Changes or modifications not expressly approved by the party responsible for compliance could void the user's authority to operate the equipment.

This device complies with Part 18 of the FCC Rules

## UTENSILS

### CAUTION - Personal Injury Hazard

Tightly-closed utensils could explode. Closed containers should be opened and plastic pouches should be pierced before cooking.

See the instructions on "Materials you can use in microwave oven or to be avoided in microwave oven."

There may be certain non-metallic utensils that are not safe to use for microwaving. If in doubt, you can test the utensil in question following the procedure below.

Utensil test:

1. Fill a microwave-safe container with 1 cup of cold water (250ml) along with the utensil in question.
2. Cook on maximum power for 1 minute.
3. Carefully feel the utensil. If the empty utensil is warm, do not use it for microwave cooking.
4. Do not exceed 1 minute cooking time.

## Materials you can use in microwave oven

Utensils	Remarks
Aluminum foil	Shielding only. Small smooth pieces can be used to cover thin parts of meat or poultry to prevent overcooking. Arcing can occur if foil is too close to oven walls. The foil should be at least 1 inch (2.5cm) away from oven walls.
Browning dish	Follow manufacturer* instructions. The bottom of browning dish must be at least 3/16 inch (5mm) above the turntable. Incorrect usage may cause the turntable to break.
Dinnerware	Microwave-safe only. Follow manufacturer's instructions. Do not use cracked or chipped dishes.
Glass jars	Always remove lid. Use only to heat food until just warm. Most glass jars are not heat resistant and may break.
Glassware	Heat-resistant oven glassware only. Make sure there is no metallic trim. Do not use cracked or chipped dishes.
Oven cooking bags	Follow manufacturer* instructions. Do not close with metal tie. Make slits to allow steam to escape.
Paper plates and cups	Use for short-term cooking/warming only. Do not leave oven unattended while cooking.
Paper towels	Use to cover food for reheating and absorbing fat. Use with supervision for a short-term cooking only.
Parchment paper	Use as a cover to prevent splattering or a wrap for steaming.
Plastic	Microwave-safe only. Follow the manufacturer* instructions. Should be labeled "Microwave Safe". Some plastic containers soften, as the food inside gets hot. "Boiling bags" and tightly closed plastic bags should be slit, pierced or vented as directed by package.
Plastic wrap	Microwave-safe only. Use to cover food during cooking to retain moisture. Do not allow plastic wrap to touch food.
Thermometers	Microwave-safe only (meat and candy thermometers).
Wax paper	Use as a cover to prevent splattering and retain moisture.

## Materials to be avoided in microwave oven

Utensils	Remarks
Aluminum tray	May cause arcing. Transfer food into microwave-safe dish.
Food carton with metal handle	May cause arcing. Transfer food into microwave-safe dish.
Metal or metal-trimmed utensils	Metal shields the food from microwave energy. Metal trim may cause arcing.
Metal twist ties	May cause arcing and could cause a fire in the oven.
Paper bags	May cause a fire in the oven.
Plastic foam	Plastic foam may melt or contaminate the liquid inside when exposed to high temperature.
Wood	Wood will dry out when used in the microwave oven and may split or crack.

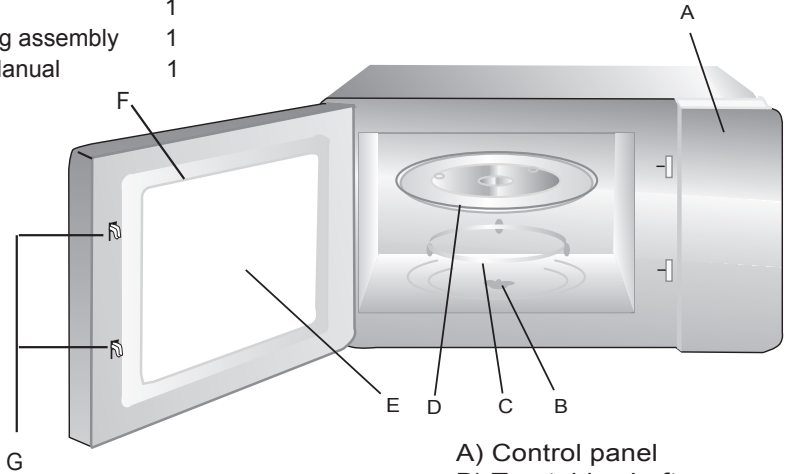
# SETTING UP YOUR OVEN

## Names of Oven Parts and Accessories

Remove the oven and all materials from the carton and oven cavity.

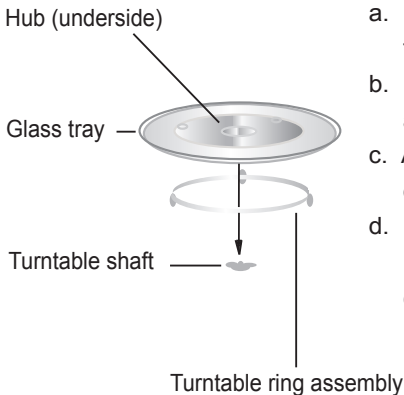
Your oven comes with the following accessories:

Glass tray	1
Turntable ring assembly	1
Instruction Manual	1



- A) Control panel
- B) Turntable shaft
- C) Turntable ring assembly
- D) Glass tray
- E) Observation window
- F) Door assembly
- G) Safety interlock system

## Turntable Installation



- a. Never place the glass tray upside down. The glass tray should never be restricted.
- b. Both glass tray and turntable ring assembly must always be used during cooking.
- c. All food and containers of food are always placed on the glass tray for cooking.
- d. If glass tray or turntable ring assembly cracks or breaks, contact your nearest authorized service center.



## Countertop Installation

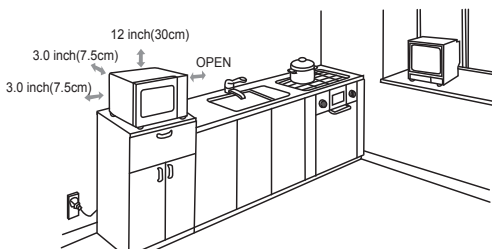
Remove all packing material and accessories. Examine the oven for any damage such as dents or broken door. Do not install if oven is damaged.

Cabinet: Remove any protective film found on the microwave oven cabinet surface. Do not remove the light brown Mica cover that is attached to the oven cavity to protect the magnetron.

---

## Installation

1. Select a level surface that provide enough open space for the intake and/or outlet vents.



A minimum clearance of 3.0 inches (7.5cm) is required between the oven and any adjacent walls. One side must be open.

- (1) Leave a minimum clearance of 12 inches (30cm) above the oven.
- (2) Do not remove the legs from the bottom of the oven.

- (3) Blocking the intake and/or outlet openings can damage the oven.
  - (4) Place the oven as far away from radios and TV as possible. Operation of microwave oven may cause interference to your radio or TV reception.
2. Plug your oven into a standard household outlet. Be sure the voltage and the frequency is the same as the voltage and the frequency on the rating label.

**WARNING:** Do not install oven over a range cooktop or other heat-producing appliance. If installed near or over a heat source, the oven could be damaged and the warranty would be void.

# OPERATION

## 1. Power Level

10 power levels are available.

Level	10	9	8	7	6	5	4	3	2	1
Power	100%	90%	80%	70%	60%	50%	40%	30%	20%	10%
Display	PL10	PL9	PL8	PL7	PL6	PL5	PL4	PL3	PL2	PL1

## 2. Clock Setting

- (1) Press " Clock " once, "00:00" will display.
- (2) Press the number keys and enter the current time. For example, time is 10:12 now, please press "1,0,1,2" in turn.
- (3) Press " Clock " to finish clock setting. ":" will flash and the clock will be lighted.
- (4) If the numbers input are not within the range of 1:00--12:59, the setting will be invalid until valid numbers are input.

Note: (1) In the process of clock setting, if the " Off/Cancel " button is pressed or if there is no operation within 1 minute, the oven will go back to the former setting automatically.

(2) If the clock need to be reset, please repeat step 1 to step 3.

## 3. Microwave cook

- (1) Press "COOK TIME" once, the screen will display "00:00".
- (2) Press number keys to input the cooking time; the maximum cooking time is 99 minutes and 99 seconds.
- (3) Press " POWER LEVEL " once, screen will display "PL10". The default power is 100% power. Now you can press number keys to adjust the power level.
- (4) Press " START/Enter/Add 30 Sec. " to start cooking.

Example: to cook the food with 50% microwave power for 15 minutes.

- a. Press "COOK TIME " once."00:00" displays.
- b. Press "1","5","0","0" in order.
- c. Press "POWER LEVEL"once,then press "5" to select 50% microwave power.

d. Press " START/Enter/Add 30 Sec. " to start cooking.

Note:1) In the process of setting, if the " Off/Cancel " button is pressed or if there is no operation within 1 minute, the oven will go back to the former setting automatically.

2) You can skip the step of "c" and cook at 100% microwave power.

#### 4. Kitchen Timer

(1) Press "Kitchen Timer " once, the screen will display 00:00 .

(2) Press the number keys and enter the timer time.(the maximum cooking time is 99 minutes and 99 seconds)

(3) Press " START/Enter/Add 30 Sec. " to confirm setting, time counts down.

(4) When the timer time arrives, the buzzer will ring 3 times, screen display "End".

Note: 1) The kitchen time is differ from 12-hour system,Kitchen Timer is a timer.

2) Kitchen Timer and cooking (including microwave, defrosting, Auto menu) are independent, all the cooking for functions can be set during running Kitchen Timer, Kitchen Timer can be set during running other cooking functions.

Example: When oven is cooking with 50% microwave power for 15 minutes, screen display countdown cooking time, you want to set timer 10 minutes.

(1) Press " Kitchen Timer " once, the screen will display 00:00 .

(2) Press the number keys and enter the timer time.

If no entering timer in 10 seconds, timer set is canceled and oven return to countdown cooking time.

(3) Press " START/Enter/Add 30 Sec. ", timer is operated. Timer counts down in screen.

If no press " START/Enter/Add 30 Sec. " in 10 seconds, timer set is canceled and oven return to countdown cooking time.

(4) If timer countdown time earlier than the end of cooking process, buzzer sound 3 times, after the buzzer, screen display the remaining cooking time.

If the cooking process earlier than the end of the program Timer timer, buzzer sound 5 times, screen display countdown timer. When the timer time arrives, buzzer sound 3 times, and screen display "End".

If the cooking process and the Timer timer finishe at the same time, buzzer sound 5 times and screen display "End" .

## 5. Speedy Cooking

- (1) In waiting state, instant cooking at 100% power level with 30 seconds' cooking time can be started by pressing " START/Enter/Add 30 Sec. ". Each press on the same button will increase cooking time by 30 seconds. The maximum cooking time is 99 minutes and 99 seconds.
- (2) In waiting state, press numerical buttons to set the cooking time, then press " START/Enter/Add 30 Sec " to start cooking at 100% power level.

Note: during microwave cooking and time defrost , time can be added by pressing " START/Enter/Add 30 Sec " button.

## 6. Weight Defrost Function

- (1) Press " Weight Defrost " once, screen will display "0.0", and "lbs" light.
- (2) Press numerical buttons to input weight to be defrosted. Input the weight ranged between 0.3~6.3lbs. If the weight input is not within 0.3~6.3, the input will be invalid.
- (3) Press " START/Enter/Add 30 Sec " to start defrosting and the cooking time remained will be displayed.

## 7. Time Defrost Function

- (1) Press " Time Defrost " once, screen will display "00:00".
- (2) Press number pads to input defrosting time.
- (3) Press " START/Enter/Add 30 Sec " to start defrosting. The remained cooking time will be displayed.

## 8.Auto Menu

- (1) In waiting state, press "Popcorn", "Dinner Plate", "Pizza Reheat", "Frozen Entree", "Beverage", "Soup", "Fresh Vegetable", "Frozen Vegetable" or "Potato" to choose the auto menu.
- (2) Press the same pad repeatedly to choose the weight of the food.
- (3) Press " START/Enter/Add 30 Sec " to start cooking.

## 9.Sensor Cook

- (1) In waiting state, press "Dinner Plate", "Fresh Vegetable" or "Frozen Vegetable", the screen will display "SC".
- (2) Press " START/Enter/Add 30 Sec " to start sensor cooking. "SC" will flash in the display.
- (3) The sensor will sound once when the steaming is emanated.The surplus time will display.

## 10. MEMORY FUNCTION

- (1) Press "Favorite " to choose memory 1-3 procedure. The screen will display 1,2,3.
- (2) If the procedure has been set, press " START/Enter/Add 30 Sec. " to use it. If not, continue to set the procedure. Only one or two stages can be set.
- (3)If the procedure has not been set, after finishing the setting, press "Favorite " once to save the procedure and turn back to the waiting states. If press " START/Enter/Add 30 Sec. " it will start cooking at once and save the procedure too.

Example: to set the following procedure as the second memory, that is memory 2.  
to cook the food with 80% microwave power for 3minutes and 20 seconds.

The steps are as follow:

- a. In waiting states, press "Favorite " twice, stop pressing until the screen displays "2".
  - b. Press "COOK TIME " once,then press "3","2","0" in order.
  - c. Press " POWER LEVEL " once,"PL10" display,then press "8" and "PL8" displays.
  - d. Press "Favorite " to save the setting. Buzzer sounds once then turn back to waiting states. If you press " START/Enter/Add 30 Sec. " again, the procedure will be saved as the memory 2 and operated.
  - e. If the electricity is not cut off, the procedure will be saved all the time. If it is, the procedure need to reset.
  - f. When you want to run the saved procedure, in waiting states, press "Favorite " twice, screen displays "2", then press " START/Enter/Add 30 Sec. " to start cooking
- Note: Defrosting and Auto menu can not be set in memory function.

## 11. Multi-stage cooking

At most 2 stages can be set for cooking. In multi-stage cooking, if one stage is defrosting, then defrosting shall be placed at the first stage automatically.

Note : Auto menu cannot work in the multi-stage cooking.

Example: if you want to cook with 80% microwave power for 5 minutes + 60% microwave power for 10 minutes. The cooking steps are as following:

- (1) Press "COOK TIME " once,then press "5","0","0" to set the cooking time;
- (2) Press " POWER LEVEL " once,then press "8" to select 80% microwave power.
- (3) Press "COOK TIME" once,then press "1","0","0","0" to set the cooking time;
- (4) Press " POWER LEVEL " once,then press "6" to select 60% microwave power.
- (5) Press " START/Enter/Add 30 Sec. " to start cooking.

## 12. INQUIRING FUNCTION

(1)In the microwave cooking state, press " POWER LEVEL " to inquire microwave power level, and the current microwave power will be displayed. After three seconds, the oven will turn back to the previous state.

(2) In cooking state, press " CLOCK ", the oven will display clock for three seconds.

## 13. English/French Mode

The default language mode is English Mode. In waiting state, open the door and then press "1" for 3 seconds to switch language mode. There are 2 kinds of language mode you can choose.

Text	English mode	French mode
End	End	Fin
Door	door	Prte

## 14. Silence Mode

The default mode is OFF Mode , and the buzzer will ring under special circumstances. In waiting state, open the door and then press"2" for 3 seconds to enter to Silence Mode. The buzzer will ring under no circumstance.

## 15. LOCK FUNCTION FOR CHILDREN

Lock: In waiting state, press " Off/Cancel " for 3 seconds, there will be a long "beep" denoting the entering into the children-lock state, and the lock indicator will light. The screen will display the current time or "0:00" .

Unlock : In locked state, press " Off/Cancel " for 3 seconds, there will be a long "beep" denoting that lock is released.

## 16 . DOOR LOCK FUNCTION

If the oven in no working state over 5 minutes, it will activate the door lock function. You cannot press " START/Enter/Add 30 Sec " to start cooking unless you open door and then close door.

Note: The "kitchen Timer" function is not affected by door lock function.

## 17. COOKING END REMINDING FUNCTION

When the cooking is over, the buzzer will sound 5 "beep" to alert user the cooking is finished.

## 18. OTHER SPECIFICATIONS

- (1) The maximum cooking time is 99 minutes and 99 seconds.
- (2) When the cooking is finish, the screen will display "End" or "Fin" .Opening the door or pressing " Off/Cancel " can make the oven enter waiting state.

# Menu Chart

Menu	Weight	Display
FRESH VEGETABLE	4-16 OZ	SC
PIZZA REAH	<b>1 (slice)</b>	<b>1</b>
	<b>2</b>	<b>2</b>
	<b>3</b>	<b>3</b>
BAKED POTATO	1(8.00 Oz)	1
	<b>2</b>	2
	<b>3</b>	3
	<b>4</b>	4
DINNER PLATE	8-16 OZ	SC
BEVERAGE	1 cup (about 8.8 OZ)	1
	2 cups	2
SOUP	<b>1</b>	<b>1</b>
	<b>2</b>	<b>2</b>
	<b>3</b>	<b>3</b>
	<b>4</b>	<b>4</b>
FROZEN VEGETABLE	4-16 OZ	SC
Frozen Entree	10.00 Oz	10.0 Oz
	20.00 Oz	20.0 Oz
POPCORN	1.75 OZ	1.75 OZ
	3.00 OZ	3.0 OZ
	3.30 OZ	<b>3.3 OZ</b>



# MAINTENANCE

## Troubleshooting

Check your problem by using the chart below and try the solutions for each problem. If the microwave oven still does not work properly, contact the nearest authorized service center.

TROUBLE	POSSIBLE CAUSE	POSSIBLE REMEDY
Oven will not start	<ul style="list-style-type: none"> <li>a. Electrical cord for oven is not plugged in.</li> <li>b. Door is open.</li> <li>c. Wrong operation is set.</li> </ul>	<ul style="list-style-type: none"> <li>a. Plug into the outlet.</li> <li>b. Close the door and try again.</li> <li>c. Check instructions.</li> </ul>
Arcing or sparking	<ul style="list-style-type: none"> <li>a. Materials to be avoided in microwave oven were used.</li> <li>b. The oven is operated when empty.</li> <li>c. Spilled food remains in the cavity.</li> </ul>	<ul style="list-style-type: none"> <li>a. Use microwave-safe cookware only.</li> <li>b. Do not operate with oven empty.</li> <li>c. Clean cavity with wet towel.</li> </ul>
Unevenly cooked foods	<ul style="list-style-type: none"> <li>a. Materials to be avoided in microwave oven were used.</li> <li>b. Food is not defrosted completely.</li> <li>c. Cooking time, power level is not suitable.</li> <li>d. Food is not turned or stirred.</li> </ul>	<ul style="list-style-type: none"> <li>a. Use microwave-safe cookware only.</li> <li>b. Completely defrost food.</li> <li>c. Use correct cooking time, power level.</li> <li>d. Turn or stir food.</li> </ul>
Overcooked foods	Cooking time, power level is not suitable.	Use correct cooking time, power level.
Undercooked foods	<ul style="list-style-type: none"> <li>a. Materials to be avoided in microwave oven were used.</li> <li>b. Food is not defrosted completely.</li> <li>c. Oven ventilation ports are restricted.</li> <li>d. Cooking time, power level is not suitable.</li> </ul>	<ul style="list-style-type: none"> <li>a. Use microwave-safe cookware only.</li> <li>b. Completely defrost food.</li> <li>c. Check to see that oven ventilation ports are not restricted.</li> <li>d. Use correct cooking time, power level.</li> </ul>
Improper defrosting	<ul style="list-style-type: none"> <li>a. Materials to be avoided in microwave oven were used.</li> <li>b. Cooking time, power level is not suitable.</li> <li>c. Food is not turned or stirred.</li> </ul>	<ul style="list-style-type: none"> <li>a. Use microwave-safe cookware only.</li> <li>b. Use correct cooking time, power level.</li> <li>c. Turn or stir food.</li> </ul>