

[ CONDITION ]

DOOR : CLOSED

COOK : OFF

NOTE :

⊙ OL : OVEN LAMP

⊙ FM : FAN MOTOR

⊙ TTM : TURNTABLE MOTOR

BK : BLACK

RD : RED

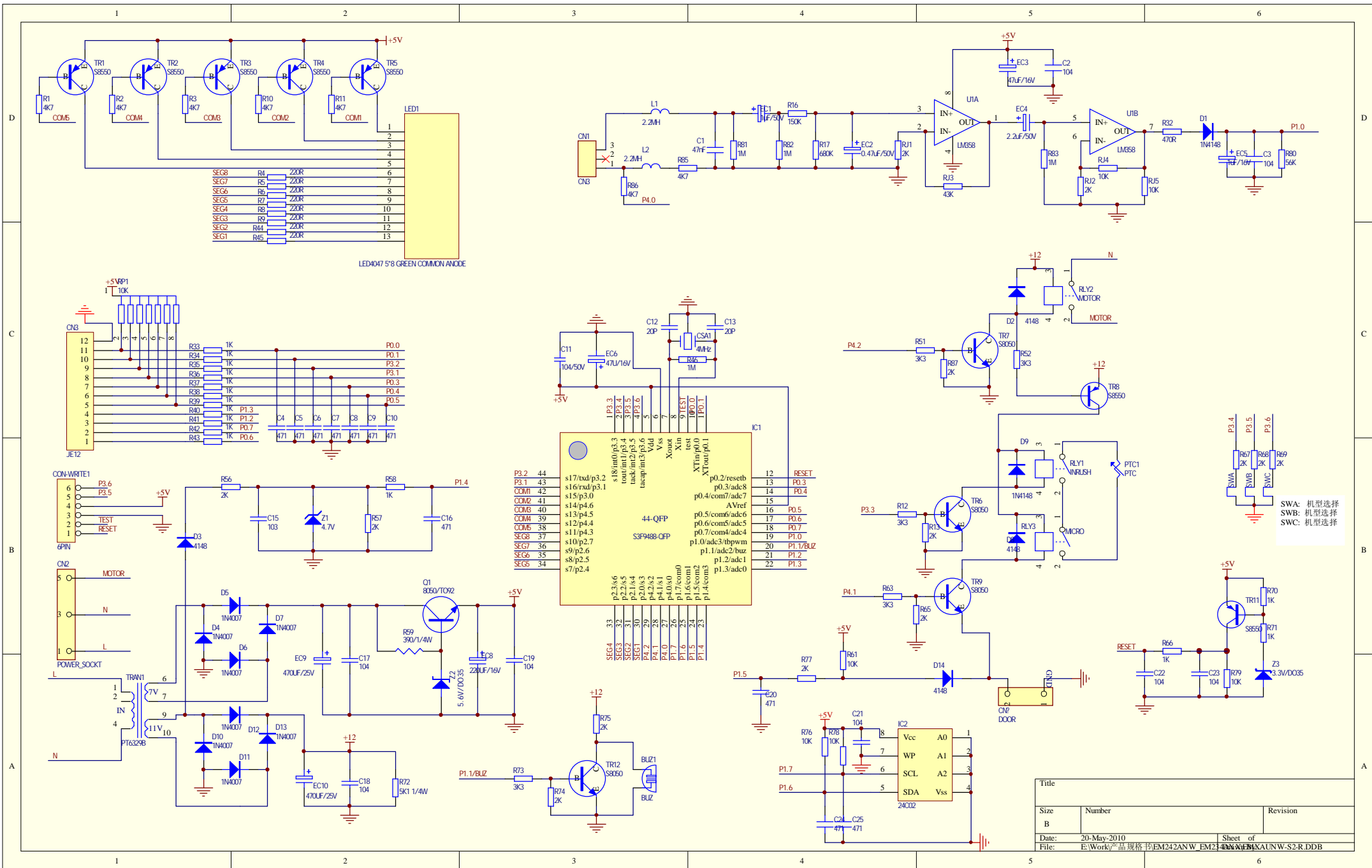
WH : WHITE

YW : YELLOW

BL : BLUE

BR : BROWN

GN : GREEN



Pin list for IC1 (AT89C51):

P3.2	44	s17/txd/p3.2	p0.2/resetb	12	RESET
P3.1	43	s16/rxd/p3.1	p0.3/adc8	13	P0.3
COM1	42	s15/p3.0	p0.4/com7/adc7	14	P0.4
COM2	41	s14/p4.5	A Vref	15	
COM3	40	s13/p4.4	p0.5/com6/adc6	16	P0.5
COM4	39	s12/p4.3	p0.6/com5/adc5	17	P0.6
COM5	38	s11/p4.2	p0.7/com4/adc4	18	P0.7
SEG8	37	s10/p2.7	p1.0/adc3/tbpm	19	P1.0
SEG7	36	s9/p2.6	p1.1/adc2/buz	20	P1.1/BUZ
SEG6	35	s8/p2.5	p1.2/adc1	21	P1.2
SEG5	34	s7/p2.4	p1.3/adc0	22	P1.3
SEG4	33	p2.3/s6			
SEG3	32	p2.2/s5			
SEG2	31	p2.1/s4			
SEG1	30	p2.0/s3			
P4.1	29	p4.2/s2			
P4.0	28	p4.1/s1			
P1.7	27	p4.0/s0			
P1.6	26	p1.7/com0			
P1.5	25	p1.6/com1			
P1.4	24	p1.5/com2			
P1.3	23	p1.4/com3			

Title		
Size	Number	Revision
B		
Date:	20-May-2010	Sheet of
File:	E:\Work\产品规格书\EM242ANW EM242ANW\EM242ANW-S2.R.DDB	