

Microwave Oven

INSTRUCTION MANUAL

Model: EM0P042SU-PS0A00

Read these instructions carefully before using your microwave oven, and keep it carefully.

If you follow the instructions, your oven will provide you with many years of good service.

SAVE THESE INSTRUCTIONS CAREFULLY

Guangdong Midea Kitchen Appliances Manufacturing Co., Ltd.
No.6, Yong An Road, Beijiao, Shunde, 528311 Foshan,
Guangdong, **People's Republic of China**

www.midea.com

PRECAUTIONS TO AVOID POSSIBLE EXPOSURE TO EXCESSIVE MICROWAVE ENERGY

- (a) Do not attempt to operate this oven with the door open since this can result in harmful exposure to microwave energy. It is important not to break or tamper with the safety interlocks.
- (b) Do not place any object between the oven front face and the door or allow soil or cleaner residue to accumulate on sealing surfaces.
- (c) **WARNING:** If the door or door seals are damaged, the oven must not be operated until it has been repaired by a competent person.

ADDENDUM

If the apparatus is not maintained in a good state of cleanliness, its surface could be degraded and affect the lifespan of the apparatus and lead to a dangerous situation.

SPECIFICATIONS

Model	EM0P042SU-PS0A00
Rated Voltage	120 V~ 60 Hz
Microwave Input	1600 W
Microwave Output	1000 W

IMPORTANT SAFETY INSTRUCTIONS

When using electrical appliances basic safety precautions should be followed, including the following:

WARNING - To reduce the risk of burns, electric shock, fire, injury to persons or exposure to excessive microwave energy:

1. Read all instructions before using the appliance.
2. Read and follow the specific: "PRECAUTIONS TO AVOID POSSIBLE EXPOSURE TO EXCESSIVE MICROWAVE ENERGY" found on page 2.
3. This appliance must be grounded. Connect only to properly grounded outlet. See "GROUNDING INSTRUCTIONS" found on page 5.
4. Install or locate this appliance only in accordance with the provided installation instructions.
5. Some products such as whole eggs and sealed containers - for example, closed glass jars - are able to explode and should not be heated in this oven.
6. Use this appliance only for its intended use as described in the manual. Do not use corrosive chemicals or vapors in this appliance. This type of oven is specifically designed to heat, cook or dry food. It is not designed for industrial or laboratory use.
7. As with any appliance, close supervision is necessary when used by children.
8. Do not operate this appliance if it has a damaged cord or plug, if it is not working properly, or if it has been damaged or dropped.
9. This appliance should be serviced only by qualified service personnel. Contact nearest authorized service facility for examination, repair, or adjustment.
10. Do not cover or block any openings on the appliance.
11. Do not store this appliance outdoors. Do not use this product near water - for example, near a kitchen sink, in a wet basement, near a swimming pool, or similar location.
12. Do not immerse cord or plug in water.
13. Keep cord away from heated surface.
14. Do not let cord hang over edge of table or counter.
15. When cleaning surfaces of door and oven that comes together on closing the door, use only mild, nonabrasive soaps, or detergent applied with a sponge or soft cloth.
16. To reduce the risk of fire in the oven cavity:
 - 1). Do not overcook food. Carefully attend appliance when paper, plastic, or other combustible materials are placed inside the oven to facilitate cooking.
 - 2). Remove wire twist-ties from paper or plastic bag before placing bag in oven.
 - 3). If material inside of the oven ignite, keep oven door closed, turn oven off, and disconnect the power cord, or shut off power at the fuse or circuit breaker panel.
 - 4). Do not use the cavity for storage purposes. Do not leave paper products, cooking utensils, or food in the cavity when not in use.

17. Liquids, such as water, coffee, or tea are able to be overheated beyond the boiling point without appearing to be boiling. Visible bubbling or boiling when the container is removed from the microwave oven is not always present.

THIS COULD RESULT IN VERY HOT LIQUID SUDDENLY BOILING OVER WHEN THE CONTAINER IS DISTURBED OR A UTENSIL IS INSERTED INTO THE LIQUID.

To reduce the risk of injury to persons:

- 1) Do not overheat the liquid.
- 2) Stir the liquid both before and halfway through heating it.
- 3) Do not use straight-sided containers with narrow necks.
- 4) After heating, allow the container to stand in the microwave oven for a short time before removing the container.
- 5) Use extreme care when inserting a spoon or other utensil into the container.

SAVE THESE INSTRUCTIONS

GROUNDING INSTRUCTIONS

This appliance must be grounded. In the event of an electrical short circuit, grounding reduces the risk of electric shock by providing an escape wire for the electric current. This appliance is equipped with a cord having a grounding wire with a grounding plug. The plug must be plugged into an outlet that is properly installed and grounded.

WARNING - Improper use of the grounding can result in a risk of electric shock. Consult a qualified electrician or serviceman if the grounding instructions are not completely understood, or if doubt exists as to whether the appliance is properly grounded. If it is necessary to use an extension cord, use only a 3-wire extension cord that has a 3-blade grounded plug, and 3-slot receptacle that will accept the plug on the appliance. The marked rating of the extension cord shall be equal to or greater than the electrical rating of the appliance.

DANGER - Electric Shock Hazard

Touching some of the internal components can cause serious personal injury or death. Do not disassemble this appliance.

WARNING - Electric Shock Hazard

Improper use of the grounding can result in electric shock. Do not plug into an outlet until appliance is properly installed and grounded.

1. A short power-supply cord is provided to reduce the risks resulting from becoming entangled in or tripping over a longer cord.
2. Longer cord sets or extension cords are available and may be used if care is exercised in their use.
3. If a long cord or extension cord is used:
 - 1) The marked electrical rating of the cord set or extension cord should be at least as great as the electrical rating of the appliance.
 - 2) The extension cord must be a grounding-type 3-wire cord.
 - 3) The longer cord should be arranged so that it will not drape over the counter top or tabletop where it can be pulled on by children or tripped over unintentionally.

RADIO INTERFERENCE

1. Operation of the microwave oven may cause interference to your radio, TV or similar equipment.
2. When there is interference, it may be reduced or eliminated by taking the following measures:
 - 1) Clean door and sealing surface of the oven
 - 2) Reorient the receiving antenna of radio or television.
 - 3) Relocate the microwave oven with respect to the receiver.
 - 4) Move the microwave oven away from the receiver.
 - 5) Plug the microwave oven into a different outlet so that microwave oven and receiver are on different branch circuits.

This device complies with part 18 of the FCC Rules.

UTENSILS

CAUTION - Personal Injury Hazard

Tightly-closed utensils could explode. Closed containers should be opened and plastic pouches should be pierced before cooking.

See the instructions on "Materials you can use in microwave oven or to be avoided in microwave oven."

There may be certain non-metallic utensils that are not safe to use for microwaving. If in doubt, you can test the utensil in question following the procedure below.

Utensil Test:

1. Fill a microwave-safe container with 1 cup of cold water (250ml) along with the utensil in question.
2. Cook on maximum power for 1 minute.
3. Carefully feel the utensil. If the empty utensil is warm, do not use it for microwave cooking.
4. Do not exceed 1 minute cooking time.

Materials you can use in microwave oven

Utensils	Remarks
Browning dish	Follow manufacturer's instructions. The bottom of browning dish must be at least 3/16 inch (5mm) above the turntable. Incorrect usage may cause the turntable to break.
Dinnerware	Microwave-safe only. Follow manufacturer's instructions. Do not use cracked or chipped dishes.
Glass jars	Always remove lid. Use only to heat food until just warm. Most glass jars are not heat resistant and may break.
Glassware	Heat-resistant oven glassware only. Make sure there is no metallic trim. Do not use cracked or chipped dishes.
Oven cooking bags	Follow manufacturer's instructions. Do not close with metal tie. Make slits to allow steam to escape.
Paper plates and cups	Use for short-term cooking/warming only. Do not leave oven unattended while cooking.
Paper towels	Use to cover food for reheating and absorbing fat. Use with supervision for a short-term cooking only.
Parchment paper	Use as a cover to prevent splattering or a wrap for steaming.
Plastic	Microwave-safe only. Follow the manufacturer's instructions. Should be labeled "Microwave Safe". Some plastic containers soften, as the food inside gets hot. "Boiling bags" and tightly closed plastic bags should be slit, pierced or vented as directed by package.
Plastic wrap	Microwave-safe only. Use to cover food during cooking to retain moisture. Do not allow plastic wrap to touch food.
Thermometers	Microwave-safe only (meat and candy thermometers).
Wax paper	Use as a cover to prevent splattering and retain moisture.

Materials to be avoided in microwave oven

Utensils	Remarks
Aluminum tray	May cause arcing. Transfer food into microwave-safe dish.
Food carton with metal handle	May cause arcing. Transfer food into microwave-safe dish.
Metal or metal-trimmed utensils	Metal shields the food from microwave energy. Metal trim may cause arcing.
Metal twist ties	May cause arcing and could cause a fire in the oven.
Paper bags	May cause a fire in the oven.
Plastic foam	Plastic foam may melt or contaminate the liquid inside when exposed to high temperature.
Wood	Wood will dry out when used in the microwave oven and may split or crack.

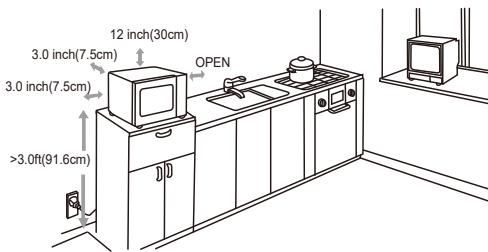
Countertop Installation

Remove all packing material and accessories. Examine the oven for any damage such as dents or broken door. Do not install if oven is damaged.

Cabinet: Remove any protective film found on the microwave oven cabinet surface. Do not remove the waveguide cover that is attached to the oven cavity to protect the magnetron.

Installation

1. Select a level surface that provide enough open space for the intake and/or outlet vents.



A minimum clearance of 3.0 inches (7.5cm) is required between the oven and any adjacent walls. One side must be open. The minimum installation height is 3.0ft(91.6cm).

- (1) Leave a minimum clearance of 12 inches (30cm) above the oven.
- (2) Do not remove the legs from the bottom of the oven.

- (3) Blocking the intake and/or outlet openings can damage the oven.
- (4) Place the oven as far away from radios and TV as possible. Operation of microwave oven may cause interference to your radio or TV reception.
2. Plug your oven into a standard household outlet. Be sure the voltage and the frequency is the same as the voltage and the frequency on the rating label.

WARNING: Do not install oven over a range cooktop or other heat-producing appliance. If installed near or over a heat source, the oven could be damaged and the warranty would be void.

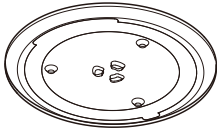
The accessible surface may be hot during operation.



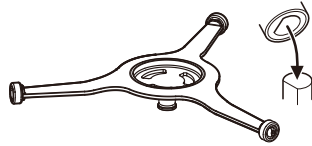
NAMES OF OVEN PARTS AND ACCESSORIES

(In case of any differences between the appliance and the pictures in this manual, the product shall prevail.)

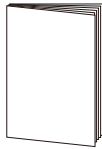
Remove the oven and all materials from the carton and oven cavity.
Your oven comes with the following accessories:



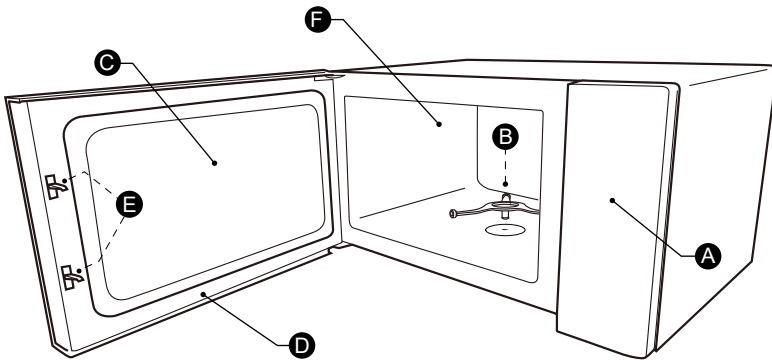
Glass Tray



Turntable Ring Assembly



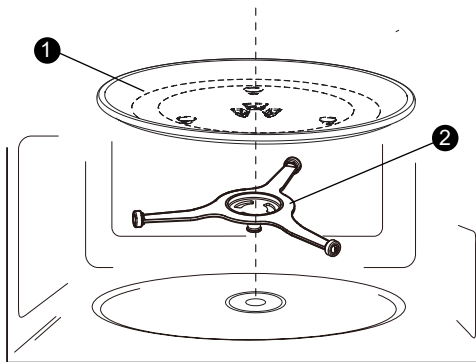
Instruction Manual



- A) Control panel
- B) Turntable Ring Assembly
- C) Observation window
- D) Door assembly
- E) Safety interlock system
- F) Oven cavity

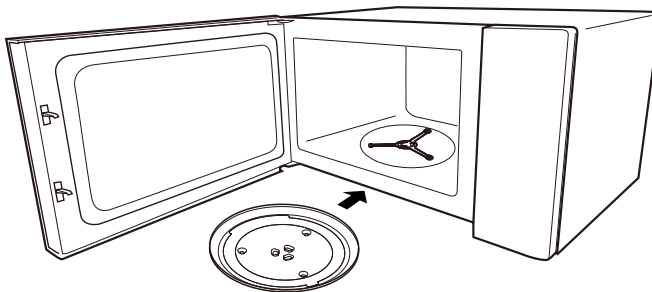
NAMES OF OVEN PARTS AND ACCESSORIES

Cleaning the cooking compartment and putting the turntable in place. For new installations, make sure all packaging and shipping tape has been removed. Before using the appliance to prepare food for the first time, you will need to put the turntable in place correctly. You must clean the cooking compartment and accessories.



1) Glass Tray

2) Turntable Ring Assembly

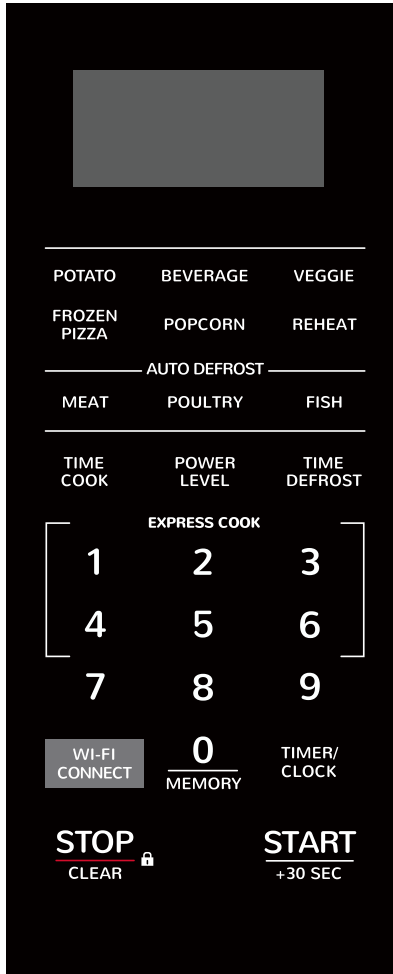


Note:

1. Never use the appliance without the turntable. Make sure that it is properly engaged. The turntable can turn clockwise or anti-clockwise.
2. Never place the glass tray upside down. The glass tray should never be restricted.
3. Both glass tray and turntable ring assembly must always be used during cooking.
4. All food and containers of food are always placed on the glass tray for cooking.
5. Never restrict the movement of the turntable.
6. If glass tray or turntable ring assembly cracks or breaks, contact your nearest authorized service center.

OPERATION

CONTROL PANEL AND FEATURES



Note: You can also to operate the appliance by alexa app if you has downloaded it, refer to the operate insrtuction of app.

1. Setting the Clock

- (1) Press "TIMER/CLOCK" twice, "00:00" will display.
- (2) Press the number keys to enter the current time.
For example, to set the clock to 10:12, press "1,0,1,2" in turn.
(The maximum valid value is 12:59.)
- (3) Press "TIMER/CLOCK " to finish clock setting. ":" will flash and the clock will be light.

Notes:

1. In the process of clock setting, if the "STOP/CLEAR" button is pressed or if there is no operation selected within 1 minute, the oven will go back to the previous setting automatically.
2. If the clock needs to be reset, repeat steps 1- 3.

2. Kitchen Timer

- (1) Press "TIMER/CLOCK " once, "00:00" displays.
- (2) Press the number keys to set the timer. (The maximum value is 99:99).
- (3) Press "START/+30SEC. " to confirm setting.
- (4) When the timer time arrives, the buzzer will beep 5 times. If the clock is set, the screen will display the current time.

Note: Any other program can't be set during kitchen timer.

3. Microwave Cooking

11 power levels are available.

Level	10	9	8	7	6	5	4	3	2	1	0
Power	100%	90%	80%	70%	60%	50%	40%	30%	20%	10%	0%
Display	PL10	PL9	PL8	PL7	PL6	PL5	PL4	PL3	PL2	PL1	PL0

- (1) Press "TIME COOK" once, the display will show "00:00".
- (2) Press number keys to input the cooking time, the maximum value is 99:99.
- (3) Press "POWER LEVEL" once, the display will show "PL10".
- (4) Press number keys to adjust the power level.
- (5) Press "START/+30SEC." to start cooking.

Example: To cook the food with 50% microwave power for 15 minutes.

- a. Press "TIME COOK" once. "00:00" displays.
- b. Press "1", "5", "0", "0" in order.
- c. Press "POWER LEVEL" once, then press "5" to select 50% microwave power.
- d. Press "START/+30SEC." to start cooking.

4. Speedy Cooking

In standby mode, press the number key 1-6 to quickly cook with corresponding time 1-6 minutes at 100% power. Press " START/+30SEC." to increase the cooking time during cooking, the maximum value is 99:99.

Press "START/+30SEC." to start cooking with 100% power level for 30 seconds directly. Each press on the same key can increase 30 seconds and the maximum time value is 99:99.

Notes: 1) During microwave cooking, time defrost and multi-stage cooking, time can be added by pressing "START/+30SEC."

2) Under auto menu and auto defrost state, time can't be added by pressing "START/+30SEC."

5. Auto Defrost

There are 3 types of auto defrost, meat, poultry and fish. Press the desired menu key to enter the setting of it. For example, setting the meat defrost as below:

(1) Press " Meat " once , "16" will display.

(2) Press " Meat " repeatedly to set the weight, 16, 24, 32, 40 Oz are available.

(3) Press " START/+30SEC. " to start defrosting and the cooking time remaining will be displayed.

Note: The buzzer will sound to remind of turning over the food during defrosting.

Auto Defrost Chart

Menu	Meat	Poultry	Fish
Weight(Oz)	16,24,32,40	24,32,40,48	8,16,24,32

6. Time Defrost

- (1) Press " TIME DEFROST ", the display will show "00:00".
- (2) Press the number keys to input defrosting time. The maximum value is 99:99.
- (3) Press " START/+30SEC. " to start defrosting.

Note: The default power is PL3. It can't be adjusted during defrosting.

7. Multi-Stage Cooking

At most 2 stages can be set for cooking. In multi-stage cooking, if one stage is defrosting, then defrosting shall be placed at the first stage automatically.

Example: Defrost food for 5 minutes and then cook with 80% microwave power for 7 minutes.

- (1) Press " TIME DEFROST " once.
- (2) Press "5", "0", "0" to set the desired defrost time of 5 minutes.
- (3) Press " TIME COOK " and then press the number key to set the cooking time to 7 minutes.
- (4) Press " POWER LEVEL " and then "PL10" will display.
- (5) Press "8" to set the power level of PL8.
- (6) Press " START/+30sec. " to start cooking.

8. Inquiring Function

If the clock has been set, the current time will display for three seconds by pressing “ **TIMER/CLOCK** ” in the cooking state.

9. Lock Function for Children

You can use this function to prevent children from accidentally turning the oven on.

To activate the lock:

In standby mode, press and hold “ **STOP/CLEAR** ” for three seconds. The buzzer will sound , “Loc” will display.

To deactivate the lock:

In locked state, press and hold “ **STOP/CLEAR** ” for three seconds. The buzzer will sound denoting exit the locked state.

10. Mute mode

To activate the mute mode:

In standby mode, press and hold “ **8** ” for 3 seconds. A beep will sound. It won't make a sound when you press any key.

To deactivate the mute mode:

In mute mode, press and hold “ **8** ” for 3 seconds. A beep will sound denoting exit the mute mode.

11.Memory Function

- (1) In standby mode,press "0/Memory" 1~3 times to select memory 1-3 procedure.
"1", "2" and "3" will display in order.
- (2) If the procedure has been set, press "START/+30sec." to start working directly.
Otherwise, please continue to set the desired program.
- (3) After finishing the setting, press "START/+30sec." twice to start the procedure.

Example: Set memory 2 (cook food with 80% microwave power for 3 minutes)

- (1) In standby mode, press "0/Memory" twice.
- (2) Press "TIME COOK" and then press number keys "3", "0", "0" in order.
- (3) Press "POWER LEVEL" and then press number key "8".
- (4) Press "START/+30sec." to save the setting and "2" will display.
Press "START/+30sec." again to start cooking.

Note: Auto menu,speedy cooking and timer can't be set in memory function.

12.Auto Menu

For example:Set the popcorn menu or veggie menu.

POPCORN

- (1) Press " POPCORN " once ,"3.3-" will display.
- (2) Press " POPCORN " repeatedly to set the weight, "3.3,1.16 Oz" are available.
- (3) Press " START/+30SEC. " to start cooking.

VEGGIE

- (1) Press " VEGGIE " repeatdely to choose V-1 or V-2.
- (2) Press " START/+30SEC. " to confirm the submenu.
- (3) Press " VEGGIE " repeatedly to set the weight.
- (4) Press " START/+30SEC. " to start cooking.

Auto Menu Chart

MENU	SUBMENU	WEIGHT	DISPLAY
Potato	\	1 2 3	1 2 3
Veggie	V-1 Frozen Vegetable	4.00 Oz 8.00 Oz 16.00 Oz	4.0 ⁻ 8.0 ⁻ 16.0 ⁻
	V-2 Fresh Vegetable	4.00 Oz 8.00 Oz 16.00 Oz	4.0 ⁻ 8.0 ⁻ 16.0 ⁻
Beverage	\	1cup(120ML) 2cups(240ML) 3cups(360ML)	1- 2- 3-
Reheat	\	9 Oz 12 Oz 18 Oz	9.0 ⁻ 12.0 ⁻ 18.0 ⁻
Frozen Pizza	\	4 Oz 8 Oz 14 Oz	4.0 ⁻ 8.0 ⁻ 14.0 ⁻
Pocporn	\	3.3 Oz 1.16 Oz	3.3 ⁻ 1.16

Wifi Connection

Connect the network

Press and hold "WI-FI CONNECT" for 3 seconds, if it connected successfully, wifi icon will light. if it fails,"FFFF" will display, the oven will return to standby mode after 5 seconds.

Disconnect from the network

Press and hold "WI-FI CONNECT" for 8 seconds,"----" will light during disconnection, if the link has been removed successfully , the wifi icon will disappear and return to standby mode. if it fails,"FFFF" will display, the oven will return to standby after 5 seconds.

Prompt: Ensure good signal transmission and do not cover the power plug containing the Wireless module with metal objects, e.g. placing it on the back of the microwave oven.

MAINTENANCE

Trouble shooting

Check your problem by using the chart below and try the solutions for each problem. If the microwave oven still does not work properly, contact the nearest authorized service center.

TROUBLE	POSSIBLE CAUSE	POSSIBLE REMEDY
Oven will not start	<ul style="list-style-type: none">a. Electrical cord for oven is not plugged in.b. Door is open.c. Wrong operation is set.	<ul style="list-style-type: none">a. Plug into the outlet.b. Close the door and try again.c. Check instructions.
Arcing or sparking	<ul style="list-style-type: none">a. Materials to be avoided in microwave oven were used.b. The oven is operated when empty.c. Spilled food remains in the cavity.	<ul style="list-style-type: none">a. Use microwave-safe cookware only.b. Do not operate with oven empty.c. Clean cavity with wet towel.
Unevenly cooked foods	<ul style="list-style-type: none">a. Materials to be avoided in microwave oven were used.b. Food is not defrosted completely.c. Cooking time, power level is not suitable.d. Food is not turned or stirred.	<ul style="list-style-type: none">a. Use microwave-safe cookware only.b. Completely defrost food.c. Use correct cooking time, power level.d. Turn or stir food.
Overcooked foods	<p>Cooking time, power level is not suitable.</p>	<p>Use correct cooking time, power level.</p>
Undercooked foods	<ul style="list-style-type: none">a. Materials to be avoided in microwave oven were used.b. Food is not defrosted completely.c. Oven ventilation ports are restricted.d. Cooking time, power level is not suitable.	<ul style="list-style-type: none">a. Use microwave-safe cookware only.b. Completely defrost food.c. Check to see that oven ventilation ports are not restricted.d. Use correct cooking time, power level.
Improper defrosting	<ul style="list-style-type: none">a. Materials to be avoided in microwave oven were used.b. Cooking time, power level is not suitable.c. Food is not turned or stirred.	<ul style="list-style-type: none">a. Use microwave-safe cookware only.b. Use correct cooking time, power level.c. Turn or stir food.