

Microwave Oven

INSTRUCTION MANUAL

Model:EC9P042FY-S00A0A

Read these instructions carefully before using your microwave oven, and keep it carefully.

If you follow the instructions, your oven will provide you with many years of good service.

SAVE THESE INSTRUCTIONS CAREFULLY

PRECAUTIONS TO AVOID POSSIBLE EXPOSURE TO EXCESSIVE MICROWAVE ENERGY

- (a) Do not attempt to operate this oven with the door open since open door operation can result in harmful exposure to microwave energy.
It is important not to defeat or tamper with the safety interlocks.
- (b) Do not place any object between the oven front face and the door or allows soil or cleaner residue to accumulate on sealing surfaces.
- (c) Do not operate the oven if it is damaged. It is particularly important that the oven door close properly and that there is no damage to the:
 - (1) DOOR (bent)
 - (2) HINGES AND LATCHES (broken or loosened)
 - (3) DOOR SEALS AND SEALING SURFACES
- (d) The oven should not be adjusted or repaired by anyone except properly qualified service personnel.

Specifications

Model:	EC9P042FY-S00A0A
Rated Voltage:	120V~ 60Hz
Rated Input Power (Microwave):	1450W
Rated Output Power (Microwave):	900W
Rated Input Power (Convection):	1500W

When using electrical appliances basic safety precautions should be followed, including the following:

WARNING - To reduce the risk of burns, electric shock, fire, injury to persons or exposure to excessive microwave energy:

1. Read all instructions before using the appliance.
2. Read and follow the specific: "PRECAUTIONS TO AVOID POSSIBLE EXPOSURE TO EXCESSIVE MICROWAVE ENERGY" found on page 3.
3. This appliance must be grounded. Connect only to properly grounded outlet. See "GROUNDING INSTRUCTIONS" found on page 6.
4. Install or locate this appliance only in accordance with the provided installation instructions.
5. Some products such as whole eggs and sealed containers - for example, closed glass jars - are able to explode and should not be heated in this oven.
6. Use this appliance only for its intended use as described in the manual. Do not use corrosive chemicals or vapors in this appliance. This type of oven is specifically designed to heat, cook or dry food. It is not designed for industrial or laboratory use.
7. As with any appliance, close supervision is necessary when used by children.
8. Do not operate this appliance if it has a damaged cord or plug, if it is not working properly, or if it has been damaged or dropped.
9. This appliance should be serviced only by qualified service personnel. Contact nearest authorized service facility for examination, repair, or adjustment.
10. Do not cover or block any openings on the appliance.
11. Do not store this appliance outdoors. Do not use this product near water - for example, near a kitchen sink, in a wet basement, near a swimming pool, or similar location.
12. Do not immerse cord or plug in water.
13. Keep cord away from heated surface.
14. Do not let cord hang over edge of table or counter.
15. When cleaning surfaces of door and oven that comes together on closing the door, use only mild, nonabrasive soaps, or detergent applied with a sponge or soft cloth.
16. To reduce the risk of fire in the oven cavity:
 - 1). Do not overcook food. Carefully attend appliance when paper, plastic, or other combustible materials are placed inside the oven to facilitate cooking.
 - 2). Remove wire twist-ties from paper or plastic bag before placing bag in oven.
 - 3). If material inside of the oven ignite, keep oven door closed, turn oven off, and disconnect the power cord, or shut off power at the fuse or circuit breaker panel.
 - 4). Do not use the cavity for storage purposes. Do not leave paper products, cooking utensils, or food in the cavity when not in use.

17. Liquids, such as water, coffee, or tea are able to be overheated beyond the boiling point without appearing to be boiling. Visible bubbling or boiling when the container is removed from the microwave oven is not always present.
THIS COULD RESULT IN VERY HOT LIQUID SUDDENLY BOILING OVER WHEN THE CONTAINER IS DISTURBED OR A UTENSIL IS INSERTED INTO THE LIQUID.
To reduce the risk of injury to persons:
 - 1) Do not overheat the liquid.
 - 2) Stir the liquid both before and halfway through heating it.
 - 3) Do not use straight-sided containers with narrow necks.
 - 4) After heating, allow the container to stand in the microwave oven for a short time before removing the container.
 - 5) Use extreme care when inserting a spoon or other utensil into the container.
18. Oversized food or oversized metal utensils should not be inserted in a microwave/toaster oven as they may create a fire or risk of electric shock.
19. Do not clean with metal scouring pads. Pieces can burn off the pad and touch electrical parts involving a risk of electric shock.
20. Do not use paper products when appliance is operated in the toaster mode.
21. Do not store any materials, other than manufacturer's recommended accessories, in this oven when not in use.
22. Do not cover racks or any other part of the oven with metal foil. This will cause overheating of the oven.

SAVE THESE INSTRUCTIONS

GROUNDING INSTRUCTIONS

This appliance must be grounded. In the event of an electrical short circuit, grounding reduces the risk of electric shock by providing an escape wire for the electric current. This appliance is equipped with a cord having a grounding wire with a grounding plug. The plug must be plugged into an outlet that is properly installed and grounded.

WARNING - Improper use of the grounding can result in a risk of electric shock. Consult a qualified electrician or serviceman if the grounding instructions are not completely understood, or if doubt exists as to whether the appliance is properly grounded. If it is necessary to use an extension cord, use only a 3-wire extension cord that has a 3-blade grounded plug, and 3-slot receptacle that will accept the plug on the appliance. The marked rating of the extension cord shall be equal to or greater than the electrical rating of the appliance.

DANGER - Electric Shock Hazard

Touching some of the internal components can cause serious personal injury or death. Do not disassemble this appliance.

WARNING - Electric Shock Hazard

Improper use of the grounding can result in electric shock. Do not plug into an outlet until appliance is properly installed and grounded.

1. A short power-supply cord is provided to reduce the risks resulting from becoming entangled in or tripping over a longer cord.
2. Longer cord sets or extension cords are available and may be used if care is exercised in their use.
3. If a long cord or extension cord is used:
 - 1) The marked electrical rating of the cord set or extension cord should be at least as great as the electrical rating of the appliance.
 - 2) The extension cord must be a grounding-type 3-wire cord.
 - 3) The longer cord should be arranged so that it will not drape over the counter top or tabletop where it can be pulled on by children or tripped over unintentionally.

RADIO INTERFERENCE

1. Operation of the microwave oven may cause interference to your radio, TV or similar equipment.
2. When there is interference, it may be reduced or eliminated by taking the following measures:
 - 1) Clean door and sealing surface of the oven
 - 2) Reorient the receiving antenna of radio or television.
 - 3) Relocate the microwave oven with respect to the receiver.
 - 4) Move the microwave oven away from the receiver.
 - 5) Plug the microwave oven into a different outlet so that microwave oven and receiver are on different branch circuits.

This device complies with part 18 of the FCC Rules.

UTENSILS

CAUTION - Personal Injury Hazard

Tightly-closed utensils could explode. Closed containers should be opened and plastic pouches should be pierced before cooking.

See the instructions on "Materials you can use in microwave oven or to be avoided in microwave oven."

There may be certain non-metallic utensils that are not safe to use for microwaving. If in doubt, you can test the utensil in question following the procedure below.

Utensil Test:

1. Fill a microwave-safe container with 1 cup of cold water (250ml) along with the utensil in question.
2. Cook on maximum power for 1 minute.
3. Carefully feel the utensil. If the empty utensil is warm, do not use it for microwave cooking.
4. Do not exceed 1 minute cooking time.

Materials you can use in microwave oven

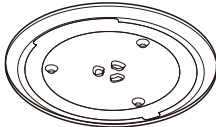
Utensils	Remarks
Browning dish	Follow manufacturer* instructions. The bottom of browning dish must be at least 3/16 inch (5mm) above the turntable. Incorrect usage may cause the turntable to break.
Dinnerware	Microwave-safe only. Follow manufacturer's instructions. Do not use cracked or chipped dishes.
Glass jars	Always remove lid. Use only to heat food until just warm. Most glass jars are not heat resistant and may break.
Glassware	Heat-resistant oven glassware only. Make sure there is no metallic trim. Do not use cracked or chipped dishes.
Oven cooking bags	Follow manufacturer* instructions. Do not close with metal tie. Make slits to allow steam to escape.
Paper plates and cups	Use for short*erm cooking/warming only. Do not leave oven unattended while cooking.
Paper towels	Use to cover food for reheating and absorbing fat. Use with supervision for a short-term cooking only.
Parchment paper	Use as a cover to prevent splattering or a wrap for steaming.
Plastic	Microwave-safe only. Follow the manufacturer* instructions. Should be labeled "Microwave Safe". Some plastic containers soften, as the food inside gets hot. "Boiling bags" and tightly closed plastic bags should be slit, pierced or vented as directed by package.
Plastic wrap	Microwave-safe only. Use to cover food during cooking to retain moisture. Do not allow plastic wrap to touch food.
Thermometers	Microwave-safe only (meat and candy thermometers).
Wax paper	Use as a cover to prevent splattering and retain moisture.

Materials to be avoided in microwave oven

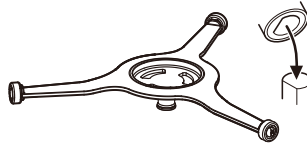
Utensils	Remarks
Aluminum tray	May cause arcing. Transfer food into microwave-safe dish.
Food carton with metal handle	May cause arcing. Transfer food into microwave-safe dish.
Metal or metal-trimmed utensils	Metal shields the food from microwave energy. Metal trim may cause arcing.
Metal twist ties	May cause arcing and could cause a fire in the oven.
Paper bags	May cause a fire in the oven.
Plastic foam	Plastic foam may melt or contaminate the liquid inside when exposed to high temperature.
Wood	Wood will dry out when used in the microwave oven and may split or crack.

NAMES OF OVEN PARTS AND ACCESSORIES

Remove the oven and all materials from the carton and oven cavity. Your oven comes with the following accessories:



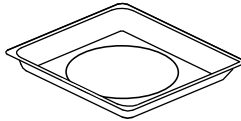
Glass Tray



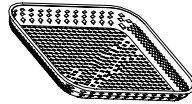
Turntable Ring Assembly



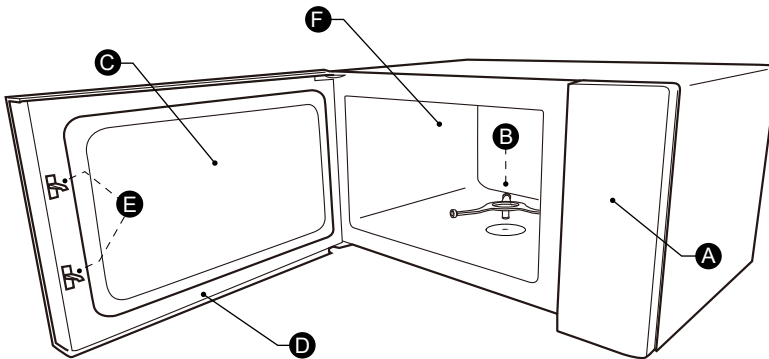
Instruction Manual



Grill tray(Can not be used in microwave and combination,it should be used for airfry)



Grill basket(Can not be used in microwave and combination,it should be used for airfry)



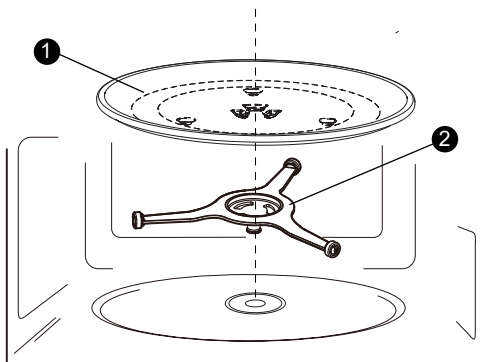
- A) Control panel
- B) Turntable Ring Assembly
- C) Observation window

- D) Door assembly
- E) Safety interlock system
- F) Oven cavity

Note: Please wear gloves when taking the food out of the oven.

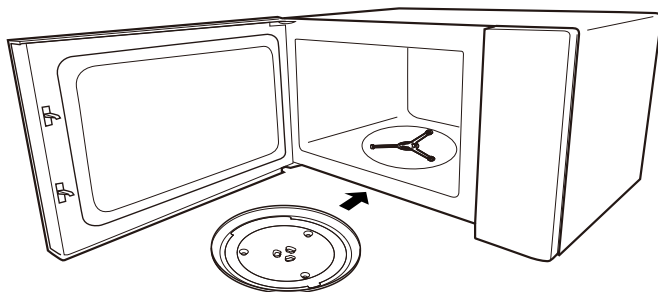
NAMES OF OVEN PARTS AND ACCESSORIES

Cleaning the cooking compartment and putting the turntable in place. For new installations, make sure all packaging and shipping tape has been removed. Before using the appliance to prepare food for the first time, you will need to put the turntable in place correctly. You must clean the cooking compartment and accessories.



1) Glass Tray

2) Turntable Ring Assembly



Note:

1. Never use the appliance without the turntable. Make sure that it is properly engaged. The turntable can turn clockwise or anti-clockwise.
2. Never place the glass tray upside down. The glass tray should never be restricted.
3. Both glass tray and turntable ring assembly must always be used during cooking.
4. All food and containers of food are always placed on the glass tray for cooking.
5. Never restrict the movement of the turntable.
6. If glass tray or turntable ring assembly cracks or breaks, contact your nearest authorized service center.

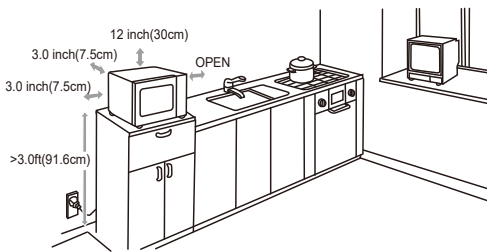
Countertop Installation

Remove all packing material and accessories. Examine the oven for any damage such as dents or broken door. Do not install if oven is damaged.

Cabinet: Remove any protective film found on the microwave oven cabinet surface. Do not remove the light brown Mica cover that is attached to the oven cavity to protect the magnetron.

Installation

1. Select a level surface that provide enough open space for the intake and/or outlet vents.



A minimum clearance of 3.0 inches (7.5cm) is required between the oven and any adjacent walls. One side must be open. The minimum installation height is 3.0ft(91.6cm).

- (1) Leave a minimum clearance of 12 inches (30cm) above the oven.
- (2) Do not remove the legs from the bottom of the oven.

- (3) Blocking the intake and/or outlet openings can damage the oven.
 - (4) Place the oven as far away from radios and TV as possible. Operation of microwave oven may cause interference to your radio or TV reception.
2. Plug your oven into a standard household outlet. Be sure the voltage and the frequency is the same as the voltage and the frequency on the rating label.

WARNING: Do not install oven over a range cooktop or other heat-producing appliance. If installed near or over a heat source, the oven could be damaged and the warranty would be void.

OPERATION

1. Power Level

11 power levels are available.

Level	10	9	8	7	6	5	4	3	2	1	0
Power	100%	90%	80%	70%	60%	50%	40%	30%	20%	10%	0%
Display	P100	P90	P80	P70	P60	P50	P40	P30	P20	P10	P0

2. Setting the Clock

After connecting the oven to the power, "00:00" shows on the display. Buzzer sounds.

- (1) Press "CLOCK/TIMER" once and then "00:00" will display.
- (2) Turn the knob to set the hour figures, it should be within 1-12.
- (3) Press "CLOCK/TIMER" or "CONFIRM /START/+30SEC." to confirm.
- (4) Turn the knob to set the minute figures, it should be within 0-59.
- (5) Press "CLOCK/TIMER" or "CONFIRM /START/+30SEC." ,the clock is set.

3. Setting the Kitchen Timer

- (1) Press "CLOCK/TIMER" twice and then "00:00" will display.
- (2) Turn the knob to set the desired time. The maximum time value is "95:00".
- (3) Press "CONFIRM /START/+30SEC." to confirm. The timer starts counting down.

Note: The kitchen timer is a timer and there is not any other programs during it.

4. Microwave Cooking

- (1) Press "POWER" and then "P100" will display.
- (2) Press "POWER" repeatedly or turn the knob to set the power level.
The 11 power levels are available.
- (3) Press "CONFIRM /START/+30SEC." to confirm.
- (4) Turn the knob to set the desired time. The maximum time value is "95:00".
- (5) Press "CONFIRM /START/+30SEC." to start cooking.

5. Combination Cooking

- (1) Press "Combi." once and then "C-1" will display.
- (2) Turn the knob to set the cook time. The maximum time value is "95:00".
- (3) Press "CONFIRM /START/+30SEC." to start cooking.

6. preheating AirFry(Bake&AirFry)

- (1) In standby mode, press "AirFry" or "Bake" , the oven will display "150F".
- (2) Turn the knob or press "AirFry" or "Bake" to set the temperature. "150F,250F,275F, 300F,325F,350F,375F,400F,425F,450F" are available.
- (3) Press "CONFIRM /START/+30SEC." to confirm the temperature .
- (4) Press "CONFIRM /START/+30SEC." to start preheating .
- (5) When the preheat timer arrives, open and close the door.
- (6) Turn the knob to set the time.
- (7) Press "CONFIRM /START/+30SEC." to start cooking.

Note:When the cooking timer arrives, the Buzzer will beep five times and return to standby.
Displays the current time if the clock was previously set.



7. Airfry without preheating

- (1) In standby mode, press "AirFry" or "Bake" once , the oven will display "150F".
- (2) Turn the knob or press "AirFry" or "Bake" to set the temperature. "150F,250F,275F, 300F,325F,350F,375F,400F,425F,450F" are available.
- (3) Press "CONFIRM /START/+30SEC." to confirm .
- (4) Turn the knob to set the time.
- (5) Press "CONFIRM /START/+30SEC." to start cooking.

Note:When the cooking timer arrives, the Buzzer will beep five times and return to standby.
Displays the current time if the clock was previously set.

8. Auto menu

- (1) In waiting state,turn the knob right, "A01" will display.
- (2) Turn the knob to select the auto menu.
- (3) Press "CONFIRM /START/+30SEC." to confirm.
- (4) Turn the knob to set the weight of the menu.
- (5) Press "CONFIRM /START/+30SEC." to start cooking.

Auto menu Chart

Menu	Weight(g)	Display
A1 Auto Reheat	5oz	5oz
	9oz	9oz
	12oz	12oz
	16oz	16oz
	21oz	21oz
A2 Soup	8oz	8oz
	16oz	16oz
	24oz	24oz
A3 Potato	1(8Oz)	1
	2(16Oz)	2
	3(24Oz)	3
A4 Fresh Vegetable	5Oz	5Oz
	12Oz	12Oz
	18Oz	18Oz
A5 Pasta	1.75oz(with cold water 450g)	1.75oz
	3.5oz(with cold water 450g)	3.5oz
	5.0oz(with cold water 1200g)	5.0oz
A6 Meat	5oz	5oz
	11oz	11oz
	16oz	16oz
	21oz	21oz
A7 Fish	5oz	5oz
	9oz	9oz
	12oz	12oz
	16oz	16oz
	23oz	23oz
A8 Frozen Pizza	7oz	7oz
	11oz	11oz
	14oz	14oz
A9 Chicken	18oz	18oz
	26oz	26oz
	35oz	35oz
	42oz	42oz



9. AirFry Preset

- (1) Press “Air Fry Presets” and then “AF01” will display.
- (2) Press “Air Fry Presets” or turn the knob to choose the menu .
- (3) Press “CONFIRM /START/+30SEC.” to start cooking.

Air Fry Presets menu

Menu	Display	Weight
Frozen French fries	AF01	16Oz
Frozen Steak Fries	AF02	18Oz
Frozen squid Rings	AF03	14Oz
Frozen Chicken Nuggets	AF04	20Oz
chicken wings	AF05	28Oz
chicken legs	AF06	32Oz
Frozen Fish Sticks	AF07	16Oz
Frozen fish fillets	AF08	16Oz
Frozen cheese sticks	AF09	16Oz
Vegetable	AF10	18Oz
Spring rolls	AF11	16Oz

10. Popcorn

- (1) In waiting state, press “Popcorn” once, “3.2Oz” will display.
- (2) Press “Popcorn” repeatedly or turn the knob to select the weight of popcorn you want. “3.2” and “3.5” Oz will display in order.
- (3) Press “CONFIRM /START/+30SEC.” to start cooking.

11. Defrost by Weight

- (1) Press “Defrost” once and then the screen will display “dEF1”.
- (2) Press “Defrost” repeatedly to select the defrost menu(dEF1-dEF6).
- (3) Press “CONFIRM /START/+30SEC.” to confirm.
- (4) Turn the knob to set the weight of the menu.
- (5) Press “CONFIRM /START/+30SEC.” to start cooking.

dEF1	dEF2	dEF3	dEF4	dEF5	dEF6
Vegetable	Fruit	Chicken	Fish	Meat	Broth

12. Defrost by Time


- (1) Press “Defrost” repeatedly till “dEF7” displays.
- (2) Press “CONFIRM /START/+30SEC.” to confirm.
- (3) Turn the knob to set the time.
- (4) Press “CONFIRM /START/+30SEC.” to start cooking.

Note: When half of the defrost time has passed, the buzzer will sound twice to remind of turning over the food.

13. Keep warm

- (1) In waiting state, press “Keep Warm”, “150F” will display.
- (2) Turn the knob to set the time.
- (3) Press “CONFIRM /START/+30SEC.” to start cooking.

14. Speedy Cooking

- 1) In waiting state, press "CONFIRM /START/+30SEC." key to cook with 100% power level for 30 seconds. Each press on the same key can increase 30 seconds. The maximum cooking time is 95 minutes. 
- 2) During microwave, airfry, time defrost and combination states, cooking time can be increased by pressing "CONFIRM /START/+30SEC.". Each press can increase 30 seconds.
- 3) In waiting state, turn the knob left to choose cooking time directly then press "CONFIRM /START/+30SEC." key to cook with 100% microwave power. (turn the knob to reset the cooking time before starting).

15. Lock Function for Children

You can use this function to prevent children from accidentally turning the oven on.

To activate the lock:

In waiting state, press and hold "Lock/On/Off" for three seconds. A long beep sounds and the locked icon will display.

To deactivate the lock:

In locked state, press and hold "Lock/ On/Off" for three seconds. A long beep sounds.

17. ECO Function

To enter ECO mode:

In waiting state, press "Stop/Clear/Eco" once within one second. The screen will turn off.

To cancel ECO mode:

In ECO mode, press any keys or open the door.

18. Multi-stage cooking

- (1) In waiting state, press "Defrost" repeatedly to choose the defrost menu.
for example, choosing the "dEF1".
- (2) Press "CONFIRM /START/+30SEC." to confirm.
- (3) Turn the knob to set the weight of the menu.
- (4) Press "POWER", "P100" displays, turn the knob or press "POWER" repeatedly to choose the power level
- (5) Press "CONFIRM /START/+30SEC." to confirm.
- (6) Turn the knob to set the time .
- (7) Press "CONFIRM /START/+30SEC." to start cooking.

19. Silent mode

To activate the silent mode:

In waiting state, press and hold " Lock/On/Off " once. The screen will display "off" for 3 seconds.

To deactivate the silent mode:

In silent mode, press and hold " Lock/On/Off " once. The screen will display "on" for 3 seconds.

20. Specific introduction

At the end of cooking, if the temperature of the oven is too high inside, the fan will start up to cool the oven, the oven will return to waiting state when you press "Stop/Clear/Eco" or till the temperature has less than 250F.

MAINTENANCE

Troubleshooting

Check your problem by using the chart below and try the solutions for each problem. If the microwave oven still does not work properly, contact the nearest authorized service center.

TROUBLE	POSSIBLE CAUSE	POSSIBLE REMEDY
Oven will not start	<ul style="list-style-type: none">a. Electrical cord for oven is not plugged in.b. Door is open.c. Wrong operation is set.	<ul style="list-style-type: none">a. Plug into the outlet.b. Close the door and try again.c. Check instructions.
Arcing or sparking	<ul style="list-style-type: none">a. Materials to be avoided in microwave oven were used.b. The oven is operated when empty.c. Spilled food remains in the cavity.	<ul style="list-style-type: none">a. Use microwave-safe cookware only.b. Do not operate with oven empty.c. Clean cavity with wet towel.
Unevenly cooked foods	<ul style="list-style-type: none">a. Materials to be avoided in microwave oven were used.b. Food is not defrosted completely.c. Cooking time, power level is not suitable.d. Food is not turned or stirred.	<ul style="list-style-type: none">a. Use microwave-safe cookware only.b. Completely defrost food.c. Use correct cooking time, power level.d. Turn or stir food.
Overcooked foods	<p>Cooking time, power level is not suitable.</p>	<p>Use correct cooking time, power level.</p>
Undercooked foods	<ul style="list-style-type: none">a. Materials to be avoided in microwave oven were used.b. Food is not defrosted completely.c. Oven ventilation ports are restricted.d. Cooking time, power level is not suitable.	<ul style="list-style-type: none">a. Use microwave-safe cookware only.b. Completely defrost food.c. Check to see that oven ventilation ports are not restricted.d. Use correct cooking time, power level.
Improper defrosting	<ul style="list-style-type: none">a. Materials to be avoided in microwave oven were used.b. Cooking time, power level is not suitable.c. Food is not turned or stirred.	<ul style="list-style-type: none">a. Use microwave-safe cookware only.b. Use correct cooking time, power level.c. Turn or stir food.