

# Microwave Oven

## **INSTRUCTION MANUAL**

Model: EM923A2CI-PS

Read these instructions carefully before using your microwave oven, and keep it carefully.

If you follow the instructions, your oven will provide you with many years of good service.

**SAVE THESE INSTRUCTIONS CAREFULLY**

# PRECAUTIONS TO AVOID POSSIBLE EXPOSURE TO EXCESSIVE MICROWAVE ENERGY

- (a) Do not attempt to operate this oven with the door open since open door operation can result in harmful exposure to microwave energy.  
It is important not to defeat or tamper with the safety interlocks.
- (b) Do not place any object between the oven front face and the door or allows soil or cleaner residue to accumulate on sealing surfaces.
- (c) Do not operate the oven if it is damaged. It is particularly important that the oven door close properly and that there is no damage to the:
  - (1) DOOR (bent)
  - (2) HINGES AND LATCHES (broken or loosened)
  - (3) DOOR SEALS AND SEALING SURFACES
- (d) The oven should not be adjusted or repaired by anyone except properly qualified service personnel.

## Specifications

Model	EM923A2CI-PS
Rated Voltage	120VAC 60Hz
Microwave Input	1350 W
Microwave Output	900 W

# IMPORTANT SAFETY INSTRUCTIONS

When using electrical appliances basic safety precautions should be followed, including the following:

**WARNING** - To reduce the risk of burns, electric shock, fire, injury to persons or exposure to excessive microwave energy:

1. Read all instructions before using the appliance.
2. Read and follow the specific: "PRECAUTIONS TO AVOID POSSIBLE EXPOSURE TO EXCESSIVE MICROWAVE ENERGY" found on page 2.
3. This appliance must be grounded. Connect only to properly grounded outlet. See "GROUNDING INSTRUCTIONS" found on page 4.
4. Install or locate this appliance only in accordance with the provided installation instructions.
5. Some products such as whole eggs and sealed containers - for example, closed glass jars - are able to explode and should not be heated in this oven.
6. Use this appliance only for its intended use as described in the manual. Do not use corrosive chemicals or vapors in this appliance. This type of oven is specifically designed to heat, cook or dry food. It is not designed for industrial or laboratory use.
7. **HOT CONTENTS CAN CAUSE SEVERE BURNS. DO NOT ALLOW CHILDREN TO USE THE MICROWAVE.** Use caution when removing hot items.
8. Do not operate this appliance if it has a damaged cord or plug, if it is not working properly, or if it has been damaged or dropped.
9. This appliance should be serviced only by qualified service personnel. Contact nearest authorized service facility for examination, repair, or adjustment.
10. Do not cover or block any openings on the appliance.
11. Do not store this appliance outdoors. Do not use this product near water - for example, near a kitchen sink, in a wet basement, near a swimming pool, or similar location.
12. Do not immerse cord or plug in water.
13. Keep cord away from heated surfaces.
14. Do not let cord hang over edge of table or counter.
15. When cleaning surfaces of door and oven that comes together on closing the door, use only mild, nonabrasive soaps, or detergent applied with a sponge or soft cloth.
16. To reduce the risk of fire in the oven cavity:
  - (1). Do not overcook food. Carefully attend appliance when paper, plastic, or other combustible materials are placed inside the oven to facilitate cooking.
  - (2). Remove wire twist-ties from paper or plastic bag before placing bag in oven. Do not heat Chinese food containers or foil lined bags.
  - (3). If material inside of the oven ignite, keep oven door closed, turn oven off, and disconnect the power cord, or shut off power at the fuse or circuit breaker panel.
  - (4). Do not use the cavity for storage purposes. Do not leave paper products, cooking utensils, or food in the cavity when not in use.
17. Liquids, such as water, coffee, or tea are able to be overheated beyond the boiling point without appearing to be boiling. Visible bubbling or boiling when the container is removed from the microwave oven is not always present.

If it is necessary to use an extension cord, use only a 3-wire extension cord that has a 3-blade grounding plug, and a 3-slot receptacle that will accept the plug on the appliance. The marked rating of the extension cord shall be equal to or greater than the electrical rating of the appliance.

**THIS COULD RESULT IN VERY HOT LIQUID SUDDENLY BOILING OVER WHEN THE CONTAINER IS DISTURBED OR A UTENSIL IS INSERTED INTO THE LIQUID.**

To reduce the risk of injury to persons:

- (1) Do not overheat the liquid.
- (2) Stir the liquid both before and halfway through heating it.
- (3) Do not use straight-sided containers with narrow necks.
- (4) After heating, allow the container to stand in the microwave oven for a short time before removing the container.
- (5) Use extreme care when inserting a spoon or other utensil into the container.

18. Under-cabinet and wall-mounted appliances:

- (1) Do not operate any heating or cooking appliance beneath this appliance.
- (2) Do not mount unit over or near any portion of a heating or cooking appliance.
- (3) Do not mount over a sink.
- (4) Do not store anything directly on top of the appliance surface when the appliance is in operation.

## SAVE THESE INSTRUCTIONS GROUNDING INSTRUCTIONS

This appliance must be grounded. In the event of an electrical short circuit, grounding reduces the risk of electric shock by providing an escape wire for the electric current. This appliance is equipped with a cord having a grounding wire with a grounding plug. The plug must be plugged into an outlet that is properly installed and grounded.

Consult a qualified electrician if the grounding instructions are not completely understood as to whether the appliance is properly grounded.

**WARNING - Improper use of the grounding can result in a risk of electric shock.**

Consult a qualified electrician or serviceman if the grounding instructions are not completely understood, or if doubt exists as to whether the appliance is properly grounded.

If it is necessary to use an extension cord, use only a 3-wire extension cord that has a 3-blade grounded plug, and 3-slot receptacle that will accept the plug on the appliance. The marked rating of the extension cord shall be equal to or greater than the electrical rating of the appliance.

**DANGER - Electric Shock Hazard**

Touching some of the internal components can cause serious personal injury or death. Do not disassemble this appliance.

**WARNING - Electric Shock Hazard**

Improper use of the grounding can result in electric shock. Do not plug into an outlet until appliance is properly installed and grounded.

If it is necessary to use an extension cord, use only a 3-wire extension cord that has a 3-blade grounding plug, and a 3-slot receptacle that will accept the plug on the appliance. The marked rating of the extension cord shall be equal to or greater than the electrical rating of the appliance.

1. A short power-supply cord is provided to reduce the risks resulting from becoming entangled in or tripping over a longer cord.
2. Longer cord sets or extension cords are available and may be used if care is exercised in their use.
3. If a long cord or extension cord is used:
  - (1) The marked electrical rating of the cord set or extension cord should be at least as great as the electrical rating of the appliance.
  - (2) The extension cord must be a grounding-type 3-wire cord.
  - (3) The longer cord should be arranged so that it will not drape over the counter top or tabletop where it can be pulled on by children or tripped over unintentionally.

## RADIO INTERFERENCE

1. Operation of the microwave oven may cause interference to your radio, TV or similar equipment.
2. When there is interference, it may be reduced or eliminated by taking the following measures:
  - 1) Clean door and sealing surface of the oven
  - 2) Reorient the receiving antenna of radio or television.
  - 3) Relocate the microwave oven with respect to the receiver.
  - 4) Move the microwave oven away from the receiver.
  - 5) Plug the microwave oven into a different outlet so that microwave oven and receiver are on different branch circuits.

This equipment generates, uses and can radiate radio frequency energy and, if not installed and used in accordance with the instructions, may cause harmful interference to radio communications. However, there is no guarantee that interference will not occur in a particular installation. If this equipment does cause harmful interference to radio or television reception, which can be determined by turning the equipment off and on, the user is encouraged to try to correct the interference by one or more of the following measures:

- Reorient or relocate the receiving antenna.
- Increase the separation between the equipment and receiver.
- Connect the equipment into an outlet on a circuit different from that to which the receiver is connected.
- Consult the dealer or an experienced radio/TV technician for help.)

**This device complies with part 18 of the FCC Rules.**

## UTENSILS

CAUTION - Personal Injury Hazard

Tightly-closed utensils could explode. Closed containers should be opened and plastic pouches should be pierced before cooking.

See the instructions on "Materials you can use in microwave oven or to be avoided in microwave oven."

There may be certain non-metallic utensils that are not safe to use for microwaving. If in doubt, you can test the utensil in question following the procedure below.

Utensil Test:

1. Fill a microwave-safe container with 1 cup of cold water (250ml) along with the utensil in question.
2. Cook on maximum power for 1 minute.
3. Carefully feel the utensil. If the empty utensil is warm, do not use it for microwave cooking.
4. Do not exceed 1 minute cooking time.

## SAFE PLUG

Combination appliances utilize Safe Plug, a revolutionary, patented design, to conserve electricity and reduce potential fire hazards that can be caused by overloaded circuits. Built into the microwave, works by temporarily shutting off the power to the refrigerator and charging outlets when the microwave is in use. When the microwave is finished, power to the refrigerator and charging outlets resumes. Engineered with unique one-plug-to-the-wall operation, combination appliances never draw more than 11-15 amps of current.

MicroFridge uses patented intelligent load monitoring technology to control the microwave, refrigerator and extra outlets. The charging station with 2 USB outlets and one outlet is designed to conveniently re-charge smart phones, tablets, laptops or similar low power devices.

## CLEANING

Wipe the oven inside and outside with a soft cloth and a mild detergent solution. Then rinse and wipe dry. This should be done on a weekly basis, more often if needed. Never use cleaning powders or rough pads. Excessive oil splatters on the inside top will be difficult to remove if left for many days. Wipe splatters with a wet paper towel, especially after cooking chicken or bacon.

### REMOVABLE PARTS

The following parts may be removed as described. They should be washed in warm (not hot) water with a mild detergent and a soft cloth. Once they are clean, rinse them well and dry with a soft cloth. Never use cleaning powders, steel wool or rough pads.

1. The turntable may be cleaned at the sink. Be careful not to chip or scratch the edges as this may cause the turntable to break during use.
2. The turntable roller rest should be cleaned regularly.

### SPECIAL CARE

For best performance and safety, the inner door panel and the oven front frame should be free of food or grease buildup. Clean them often with a mild detergent. Then rinse and wipe dry. Never use cleaning powders, steel wool or rough pads.

After cleaning the control panel, touch the Clear/Off pad to clear any entries that might have been entered accidentally while cleaning the panel.

## Materials you can use in microwave oven

Utensils	Remarks
Browning dish	Follow manufacturer* instructions. The bottom of browning dish must be at least 3/16 inch (5mm) above the turntable. Incorrect usage may cause the turntable to break.
Dinnerware	Microwave-safe only. Follow manufacturer's instructions. Do not use cracked or chipped dishes.
Glass jars	Always remove lid. Use only to heat food until just warm. Most glass jars are not heat resistant and may break.
Glassware	Heat-resistant oven glassware only. Make sure there is no metallic trim. Do not use cracked or chipped dishes.
Oven cooking bags	Follow manufacturer* instructions. Do not close with metal tie. Make slits to allow steam to escape.
Paper plates and cups	Use for short term cooking/warming only. Do not leave oven unattended while cooking.
Paper towels	Use to cover food for reheating and absorbing fat. Use with supervision for a short-term cooking only.
Parchment paper	Use as a cover to prevent splattering or a wrap for steaming.
Plastic	Microwave-safe only. Follow the manufacturer* instructions. Should be labeled "Microwave Safe". Some plastic containers soften, as the food inside gets hot. "Boiling bags" and tightly closed plastic bags should be slit, pierced or vented as directed by package.
Plastic wrap	Microwave-safe only. Use to cover food during cooking to retain moisture. Do not allow plastic wrap to touch food.
Thermometers	Microwave-safe only (meat and candy thermometers).
Wax paper	Use as a cover to prevent splattering and retain moisture.

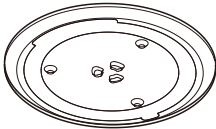
## Materials to be avoided in microwave oven

Utensils	Remarks
Aluminum tray	May cause arcing. Transfer food into microwave-safe dish.
Food carton with metal handle	May cause arcing. Transfer food into microwave-safe dish.
Metal or metal-trimmed utensils	Metal shields the food from microwave energy. Metal trim may cause arcing.
Metal twist ties	May cause arcing and could cause a fire in the oven.
Paper bags	May cause a fire in the oven.
Plastic foam	Plastic foam may melt or contaminate the liquid inside when exposed to high temperature.
Wood	Wood will dry out when used in the microwave oven and may split or crack.

# NAMES OF OVEN PARTS AND ACCESSORIES

(In case of any differences between the appliance and the pictures in this manual, the product shall prevail.)

Remove the oven and all materials from the carton and oven cavity.  
Your oven comes with the following accessories:



Glass Tray



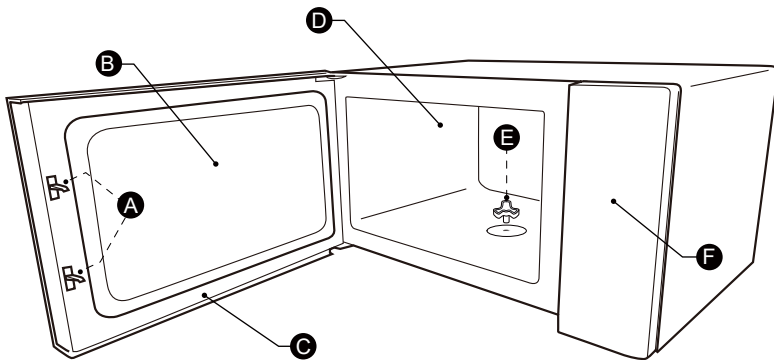
Turntable Ring Assembly



Instruction Manual



Turntable Shaft



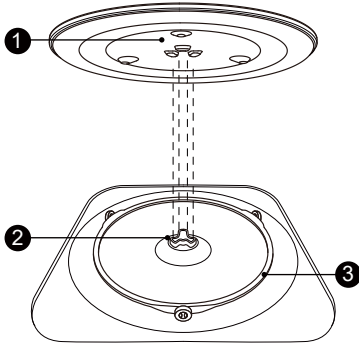
- A) Safety interlock system
- B) Observation window
- C) Door assembly

- D) Oven cavity
- E) Turntable shaft
- F) Control panel



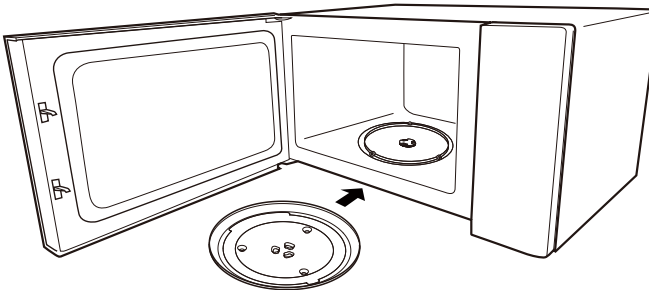
## TURNTABLE INSTALLATION

Cleaning the cooking compartment and putting the turntable in place. For new installations, make sure all packaging and shipping tape has been removed from the turntable shaft. Before using the appliance to prepare food for the first time, you will need to put the turntable in place correctly. You must clean the cooking compartment and accessories.



How to put the turntable in place:

1. Place the turntable ring assembly (3) into the recess in the cooking compartment.
2. Place the glass tray (1) on the turntable ring assembly (3). Fit the raised, curved lines in the center of the glass tray bottom between the three spokes of the shaft. Make sure that the glass tray (1) engages in the turntable shaft (2) in the centre of the cooking compartment floor. The rollers on the shaft should fit inside the turntable bottom ridge.



### Notes:

1. Never use the appliance without the turntable. Make sure that it is properly engaged. The turntable can turn clockwise or anti-clockwise.
2. Never place the glass tray upside down. The glass tray should never be restricted.
3. Both glass tray and turntable ring assembly must always be used during cooking.
4. All food and containers of food are always placed on the glass tray for cooking.
5. Never restrict the movement of the turntable.
6. If glass tray or turntable ring assembly cracks or breaks, contact your nearest authorized service center.

# Countertop Installation

Remove all packing material and accessories. Examine the oven for any damage such as dents or broken door. Do not install if oven is damaged.

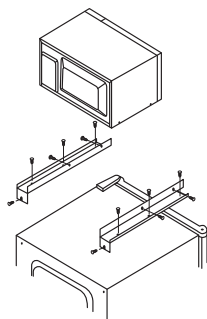
Cabinet: Remove any protective film found on the microwave oven cabinet surface. Do not remove the waveguide cover that is attached to the oven cavity to protect the magnetron.

## Installation

1. Select a level surface that provide enough open space for the intake and/or outlet vents.

A minimum clearance of 3.0 inches (7.5cm) is required between the oven and any adjacent walls. One side must be open. The minimum installation height is 36 inches(91.4cm).

- (1) Leave a minimum clearance of 12 inches (30cm) above the oven.
- (2) Do not remove the legs from the bottom of the oven.



### Assembly Diagram

1. Locate the microwave oven Remove the packet of twelve (12) screws located inside the microwave oven. Retain the screws.
2. Place the right bracket flush with the top right side of the refrigerator/freezer with its rear lip facing downward over the back edge of the refrigerator/freezer, the shorter bend without holes should face outward.
3. Align the hole in the rear lip of the bracket with the hole on the back of the refrigerator/freezer, and attach using the screws from Step 1.
4. Using the screws from Step 1, attach the bracket(s) to the top of the refrigerator/ freezer using the three (3) holes located on the bottom of the bracket. There are no preset holes in the top of the refrigerator/freezer so apply pressure when installing the screws.
5. Place the left bracket flush with the top left side of the refrigerator/freezer with its rear lip facing downward over the back edge of the refrigerator/freezer, the shorter bend without holes should face outward.
6. To finish installing the left bracket please repeat steps 4 and 5.

- (3) Blocking the intake and/or outlet openings can damage the oven.
  - (4) Place the oven as far away from radios and TV as possible. Operation of microwave oven may cause interference to your radio or TV reception.
2. Plug your oven into a standard household outlet. Be sure the voltage and the frequency is the same as the voltage and the frequency on the rating label.

**WARNING:** Do not install oven over a range cooktop or other heat-producing appliance. If installed near or over a heat source, the oven could be damaged and the warranty would be void.

### Microwave Oven & Refrigerator Compatibility Chart

Oven	MFM-9D1	MFM-9D1W
Refrigerator	4.8MF4R	4.8MF4RW
	10.3RMF4R	10.3RMF4RW
	10.3LMF4R	10.3LMF4RW

7. Place the microwave oven on top of the refrigerator/freezer and inside the two upright sides of the brackets. Line up the two (2) holes on each side of the microwave oven with those on the brackets, and attach the microwave oven using the screws from Step 1.
8. Plug the refrigerator/freezer AC cord into the outlet on the back of the microwave oven.
9. Plug the AC cord from the microwave oven into an appropriate, grounded outlet.

The MicroFridge combination appliance will now operate within eleven (11) to fifteen (15) amps of current draw.

**NOTE:**

The Refrigerator and charging outlets will not operate when the microwave oven is on.

If your oven does not operate properly, unplug it from the 120 volt household outlet and then plug it back in. This unit is not designed for 50Hz or any circuit other than 120 volt/60Hz AC current.

## CHARGER AND REAR OUTLETS

Use one or both of the two convenient USB ports and 120 VAC outlet located on the front of the oven to charge cell phones, digital cameras, tablets, laptops or similar low power devices. The outlets are limited to 4 AMPS or 480 Watts maximum.

### 1. Charger Outlets Operation

- 1) Charger Outlets are always active unless the microwave is running.
- 2) Each Charger Outlet is monitored for load; loads in excess of 4.0 amperes or 480 Watts will cause the Charger Outlets to become inactive.
- 3) Once the Charger Outlet has become inactive due to excessive load, the user must unplug the load and press the Charger Reset button one time to restore power to the Charger Outlet. Do not hold or tape the Charger Reset button in the down position.

### 2. Charger Lamp Operation

- 1) When the Charger Outlet is inactive (No power at the outlet), the Charger Lamp is ON.
- 2) When the Charger Outlet is active (power at the outlet), the Charger Lamp is OFF.
- 3) When the Charger Outlet is inactive due to the microwave operation, the Charger Lamp is OFF.

CAUTION - Be careful not to entrap any charger cords in the microwave door.

## PROPER AND SAFE USE OF YOUR OVEN

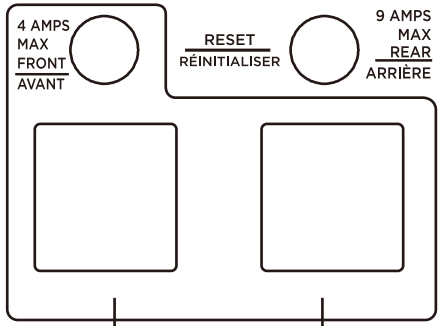
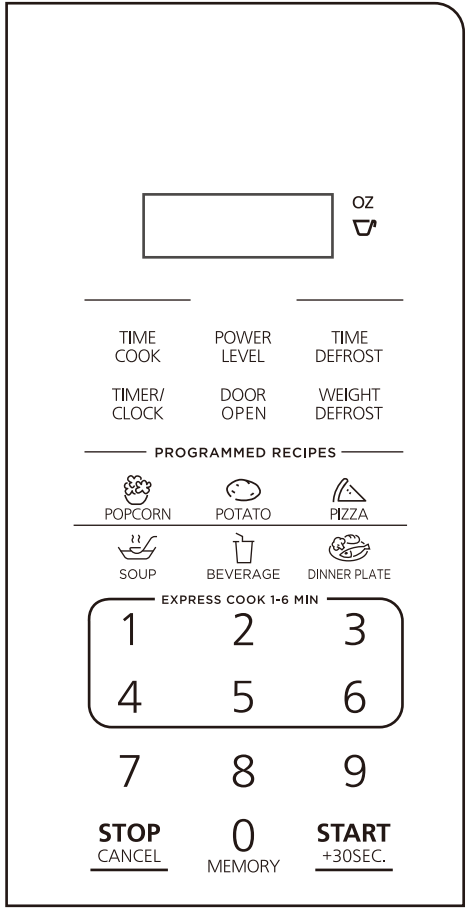
- The turntable and turntable roller guide must be in the oven during cooking.
- Place the cookware gently on the turntable and handle it carefully to avoid possible breakage.
- Use only the specified bag size when using Popcorn.
- The oven has several built-in safety switches to ensure that the power remains off when the door is open. Do not tamper with these switches.

- Do not operate the microwave oven empty. Operating the oven with no food or food that is extremely low in moisture can cause fire, charring or sparking.
- Do not cook bacon directly on the turntable. Excessive local heating of the turntable may cause it to break.
- Do not heat baby bottles or baby food in the microwave oven. Uneven heating may occur and cause physical injury.
- Do not heat narrow-necked containers, such as syrup bottles.
- Do not attempt to deep-fry in your microwave oven.
- Do not do home canning in this microwave oven as it is impossible to be sure all contents of the jar have reached a boiling temperature.
- Do not use this microwave oven for commercial purposes. This microwave oven is made for non-commercial use only.
- Do not use the socket located on the back panel of the Microwave Oven for any purpose other than to plug in the refrigerator cord. Do not plug other electrical items into this socket.

## SMOKE SENSOR

If you press the " **START**  
+30SEC. " button to cook two minutes before power on, do not make smoke alarm judgment in the first two minutes, and do not alarm conditions. After the smoke alarm, and display "Err1". The Err1 alarm will be cancelled after 5 minutes, and the start button can be pressed again to cook after the alarm is cancelled. You can press the Reset button within 5 minutes, but all other buttons will not work. After the smoke sensor reports "Err1", if you press any key for another 1 minute within 5 minutes, F3 will not be reported.

# CONTROL PANEL



CHARGER OUTLETS

# OPERATION

## 1. Safety Lock

Safety Lock is a system that safeguards against unintended activation of the oven, providing a protective measure to ensure child safety.

### (1) How the safety lock works

Initiating a cooking process triggers the door lock, and it also engages if the door remains unlocked for additional 30 minutes following the completion of the cooking.

Safety Lock is active by default. It will only be deactivated if the user chooses to do so manually. Even in the event of a power disconnection, the oven will preserve the state of the safety lock, whether it is activated or deactivated.

### (2) Unlock the door

Press " <sup>DOOR</sup> <sub>OPEN</sub> " during operation and open the door within 10 seconds, or the safety lock will re-engage. The door will stay unlocked until cooking is initiated.

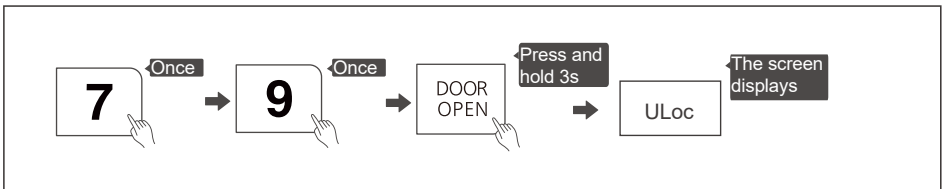
Or:

Press " <sup>DOOR</sup> <sub>OPEN</sub> " within 30 minutes after cooking is complete to manually disable the door lock and switch to standby mode. If no key is pressed, the safety lock will automatically disengage after 30 minutes.

### (3) Deactivate the safety lock

If there are no children in the house, you can choose to permanently deactivate the safety lock function.

Press "7", "9" in consecutive order and then press and hold " <sup>DOOR</sup> <sub>OPEN</sub> " for three seconds within 30 seconds, the screen will display "ULoc", indicating the successful deactivation of the safety lock.



### (4) Re-activate the safety lock

Press "7", "9" in consecutive order and then press and hold " <sup>DOOR</sup> <sub>OPEN</sub> " for three seconds within 30 seconds, the screen will display "Loc", indicating the successful re-activation of the safety lock.

## 2. Setting the Clock

- (1) Press " **TIMER/CLOCK** " twice, and the screen will display "12:00".
- (2) Press the number keys to enter the current time.  
For example, time is 12:10 now, please press "1,2,1,0" in turn.
- (3) Press " **TIMER/CLOCK** " to confirm. The clock is set.

Notes:

- (1) To reset the clock, please repeat step 1 to step 3.
- (2) The clock is a 12-hour display. If the clock is not set, it will not work when powered.

## 3. Setting the Kitchen Timer

- (1) Press " **TIMER/CLOCK** " once, the screen will display "00:00".
- (2) Press the number keys to set the desired time. The maximum time value is "99:99".
- (3) Press " **START**  
**+30SEC.** " to confirm. The timer starts counting down.

Note: The kitchen timer is a timer.

## 4. Microwave Cooking

10 power levels are available.

Level	10	9	8	7	6	5	4	3	2	1
Power	100%	90%	80%	70%	60%	50%	40%	30%	20%	10%
Display	PL10	PL9	PL8	PL7	PL6	PL5	PL4	PL3	PL2	PL1

- (1) Press " **TIME COOK** " once, the screen will display " :0".
- (2) Press the number keys to set the cooking time. The maximum time value is "9:99".
- (3) Press " **POWER LEVEL** " once, "PL10" will display.
- (4) Press " **POWER LEVEL** " repeatedly or press the number keys to set the power level.  
The 10 power levels are available.
- (5) Press " **START**  
**+30SEC.** " to start cooking.

Example: To cook the food with 50% microwave power for 5 minutes.

- a. Press " <sup>TIME</sup><sub>COOK</sub> " once. " :0" displays.
- b. Press "5", "0", and "0" in order.
- c. Press " <sup>POWER</sup><sub>LEVEL</sub> " once, then press "5" to select 50% microwave power.
- d. Press " **START**  
+30SEC. " to start cooking.

Notes:

- (1) Opening the oven door or pressing " **STOP**  
CANCEL " during operation will interrupt the current mode.
- (2) The power level can be changed during operation. Press " <sup>POWER</sup><sub>LEVEL</sub> " once and then the current power will display for 3 seconds. Press the number keys to change the power level. The oven will work with the selected power.

## 5. Speedy Cooking

- (1) In standby mode and the oven door is closed, pressing the number keys 1 to 6 lets you quickly select a cooking time from 1 to 6 minutes. Then you can press " **START**  
+30SEC. " to increase the cooking time. The maximum time value is "9:99".
- (2) In standby mode and the oven door is closed, press " **START**  
+30SEC. " to cook food with 100% power level for 30 seconds. Each press on the same key can increase 30 seconds and the maximum time value is "9:99".

Note: In the cooking state and defrosting by time state, each more press on " **START**  
+30SEC. " can increase the cooking time by 30 seconds (except for defrosting by weight and the auto menu).

## 6. Defrost by Weight

- (1) Press " <sup>WEIGHT</sup><sub>DEFROST</sub> " once, "dEF1" will display.
- (2) Press the number keys to set the weight of the food. The range of weight is 4 to 70Oz.
- (3) Press " **START**  
+30SEC. " to start defrosting.

Note: The buzzer will sound to remind you to turn the food over during defrosting.  
If no operation, the oven will continue working.



## 7. Defrost by Time

- (1) Press “  $\overset{\text{TIME}}{\text{DEFROST}}$  ” once and then the screen will display “dEF2”.
- (2) Press the number keys to set the desired defrost time. The maximum time value is “9:99”.
- (3) Press “  $\overset{\text{START}}{+30\text{SEC.}}$  ” to start defrosting.

Notes:

- (1) The defrost power is PL3 and it cannot be changed.
- (2) The buzzer will sound to remind you to turn the food over during defrosting.  
If no operation, the oven will continue working.

## 8. Memory Function

You can save the settings for a dish in the memory and call it up again.

- (1) Press “  $\overset{\text{O}}{\text{MEMORY}}$  ” repeatedly to select memory 1-3 procedure.  
“1”, “2” and “3” will display in order.
- (2) If the procedure has been set, press “  $\overset{\text{START}}{+30\text{SEC.}}$  ” to start working.  
Otherwise, please continue to set.
- (3) After finishing the setting, press “  $\overset{\text{START}}{+30\text{SEC.}}$  ” once to save the procedure.

Example: Set memory 2 (cook food with 80% microwave power for 3 minutes).

- (1) In standby mode, press “  $\overset{\text{O}}{\text{MEMORY}}$  ” twice.
- (2) Press “  $\overset{\text{TIME}}{\text{COOK}}$  ” once and then press the number keys “3”, “0”, and “0” in order.
- (3) Press “  $\overset{\text{POWER}}{\text{LEVEL}}$  ” once and then press the number key “8”.
- (4) Press “  $\overset{\text{START}}{+30\text{SEC.}}$  ” to save the setting and “2” will display.

Notes:

- (1) If the power is not cut off, the procedure will be saved all the time.
- (2) The auto menu, and defrosting cannot be set as memory function.

## 9. Inquiring Function

- (1) If the clock has been set, the current time will display for three seconds by pressing “  $\overset{\text{TIMER/}}{\text{CLOCK}}$  ” in the cooking state.
- (2) In the microwave cooking state, press “  $\overset{\text{POWER}}{\text{LEVEL}}$  ” to inquire about the power level.  
It will display for three seconds.

## 10. Lock Function for Children

You can use this function to prevent children from accidentally turning the oven on.

To activate the lock:

In standby mode, press and hold “ STOP  
CANCEL ” for three seconds. A beep sounds and “ [ ] ” will display.

To deactivate the lock:

In a locked state, press and hold “ STOP  
CANCEL ” for three seconds. A beep sounds.

## 11. Mute mode

To activate the mute mode:

In standby mode, press and hold “7” for 3 seconds. “OFF” will display. When you press the key, it does not make a sound.

To deactivate the mute mode:

In mute mode, press and hold “7” for 3 seconds. “On” will display.

## 12. Turntable reset function

You can use this function to reset the utensil to its original position in the oven after cooking. It is easy for you to take food out of the oven. The default turntable reset function is on.

To deactivate this function:

In standby mode, press and hold the “9” key for 3 seconds. A long beep will sound and “OFF” will display.

To activate this function:

In standby mode, press and hold the “9” key for 3 seconds. A long beep will sound and “On” will display.

Notes:

- (1) This function is valid for complete cooking. If you press “ STOP  
CANCEL ” and open or close the oven door during cooking, this function is invalid.
- (2) If you open the oven door or press “ STOP  
CANCEL ” during the resetting turntable process, the oven will turn to standby mode.
- (3) If the cooking time is within 5 minutes, the accuracy of the turntable is within 30 degrees.





### 13. Auto menu

(1) In standby mode, press a corresponding menu key repeatedly to select the weight of the food you want.

Example: Press “  ” once and then “1.75” displays.

(2) Press “ **START**  
+30SEC. ” to start cooking.

### Auto menu chart

Menu	Weight	Display	Power
 POPCORN	1.75Oz	1.75	PL10
	3.0Oz	3.0	
	3.5Oz	3.5	
 POTATO	1(8Oz)	1	PL10
	2(16Oz)	2	
	3(24Oz)	3	
 PIZZA	4.0Oz	4.0	PL10
	8.0Oz	8.0	
	14.0Oz	14.0	
 SOUP	4.0Oz	4.0	PL10
	8.0Oz	8.0	
	12.0Oz	12.0	
	16.0Oz	16.0	
 BEVERAGE	1 cup ( about 120ML)	1-	PL10
	2 cups ( about 240ML)	2-	
	3 cups ( about 360ML)	3-	
 DINNER PLATE	9.0Oz	9.0	PL10
	12.0Oz	12.0	
	18.0Oz	18.0	

### 14. ECO Function

To enter ECO mode:

In standby mode, closing the door and then press **STOP**  
CANCEL once. The screen will turn off.

To cancel ECO mode:

In ECO mode, pressing any key, or opening the door will cancel it.

# MAINTENANCE

## Troubleshooting

Check your problem by using the chart below and try the solutions for each problem. If the microwave oven still does not work properly, contact the nearest authorized service center.

TROUBLE	POSSIBLE CAUSE	POSSIBLE REMEDY
Oven will not start	<ul style="list-style-type: none"><li>a. Electrical cord for oven is not plugged in.</li><li>b. Door is open.</li><li>c. Wrong operation is set.</li></ul>	<ul style="list-style-type: none"><li>a. Plug into the outlet.</li><li>b. Close the door and try again.</li><li>c. Check instructions.</li></ul>
Arcing or sparking	<ul style="list-style-type: none"><li>a. Materials to be avoided in microwave oven were used.</li><li>b. The oven is operated when empty.</li><li>c. Spilled food remains in the cavity.</li></ul>	<ul style="list-style-type: none"><li>a. Use microwave-safe cookware only.</li><li>b. Do not operate with oven empty.</li><li>c. Clean cavity with wet towel.</li></ul>
Unevenly cooked foods	<ul style="list-style-type: none"><li>a. Materials to be avoided in microwave oven were used.</li><li>b. Food is not defrosted completely.</li><li>c. Cooking time, power level is not suitable.</li><li>d. Food is not turned or stirred.</li></ul>	<ul style="list-style-type: none"><li>a. Use microwave-safe cookware only.</li><li>b. Completely defrost food.</li><li>c. Use correct cooking time, power level.</li><li>d. Turn or stir food.</li></ul>
Overcooked foods	Cooking time, power level is not suitable.	Use correct cooking time, power level.
Undercooked foods	<ul style="list-style-type: none"><li>a. Materials to be avoided in microwave oven were used.</li><li>b. Food is not defrosted completely.</li><li>c. Oven ventilation ports are restricted.</li><li>d. Cooking time, power level is not suitable.</li></ul>	<ul style="list-style-type: none"><li>a. Use microwave-safe cookware only.</li><li>b. Completely defrost food.</li><li>c. Check to see that oven ventilation ports are not restricted.</li><li>d. Use correct cooking time, power level.</li></ul>
Improper defrosting	<ul style="list-style-type: none"><li>a. Materials to be avoided in microwave oven were used.</li><li>b. Cooking time, power level is not suitable.</li><li>c. Food is not turned or stirred.</li></ul>	<ul style="list-style-type: none"><li>a. Use microwave-safe cookware only.</li><li>b. Use correct cooking time, power level.</li><li>c. Turn or stir food.</li></ul>