

Microwave Oven

INSTRUCTION MANUAL

Model:EM923A2CI-PS

Read these instructions carefully before using your microwave oven , and keep it carefully.

If you follow the instructions, your oven will provide you with many years of good service.

SAVE THESE INSTRUCTIONS CAREFULLY

Guangdong Midea Kitchen Appliances Manufacturing Co., Ltd.
No.6, Yong An Road, Beijiao, Shunde, 528311 Foshan,
Guangdong, People's Republic of China

www.midea.com

PRECAUTIONS TO AVOID POSSIBLE EXPOSURE TO EXCESSIVE MICROWAVE ENERGY

- (a) Do not attempt to operate this oven with the door open since open door operation can result in harmful exposure to microwave energy. It is important not to defeat or tamper with the safety interlocks.
- (b) Do not place any object between the oven front face and the door or allows soil or cleaner residue to accumulate on sealing surfaces.
- (c) Do not operate the oven if it is damaged. It is particularly important that the oven door close properly and that there is no damage to the:
 - (1) DOOR (bent)
 - (2) HINGES AND LATCHES (broken or loosened)
 - (3) DOOR SEALS AND SEALING SURFACES
- (d) The oven should not be adjusted or repaired by anyone except properly qualified service personnel.
- (e) This device complies with Part 18 of the FCC Rules.

Specifications

Model:	EM923A2CI-PS
Rated Voltage:	120 V [~] 60H z
Rated InputPower (Microwave):	1350W
Rated Output Power (Microwave):	900 W
Rated Input Power (Receptacle):	1500W

IMPORTANT SAFETY INSTRUCTIONS

When using electrical appliances basic safety precautions should be followed, including the following:

WARNING - To reduce the risk of burns, electric shock, fire, injury to persons or exposure to excessive microwave energy:

1. Read all instructions before using the appliance.
2. Read and follow the specific: "PRECAUTIONS TO AVOID POSSIBLE EXPOSURE TO EXCESSIVE MICROWAVE ENERGY" found on page 2.
3. This appliance must be grounded. Connect only to properly grounded outlet. See "GROUNDING INSTRUCTIONS" found on page 4.
4. Install or locate this appliance only in accordance with the provided installation instructions.
5. Some products such as whole eggs and sealed containers - for example, closed glass jars - are able to explode and should not be heated in this oven.
6. Use this appliance only for its intended use as described in the manual. Do not use corrosive chemicals or vapors in this appliance. This type of oven is specifically designed to heat, cook or dry food. It is not designed for industrial or laboratory use.
7. As with any appliance, close supervision is necessary when used by children. While using this appliance it is best to monitor this appliance.
8. Do not operate this appliance if it has a damaged cord or plug, if it is not working properly, or if it has been damaged or dropped.
9. This appliance should be serviced only by qualified service personnel. Contact nearest authorized service facility for examination, repair, or adjustment.
10. Do not cover or block any openings on the appliance.
11. Do not store this appliance outdoors. Do not use this product near water - for example, near a kitchen sink, in a wet basement, near a swimming pool, or similar location.
12. Do not immerse cord or plug in water.
13. Keep cord away from heated surfaces.
14. Do not let cord hang over edge of table or counter.
15. When cleaning surfaces of door and oven that comes together on closing the door, use only mild, nonabrasive soaps, or detergent applied with a sponge or soft cloth.
16. To reduce the risk of fire in the oven cavity:
 - (1). Do not overcook food. Carefully attend appliance when paper, plastic, or other combustible materials are placed inside the oven to facilitate cooking.
 - (2). Remove wire twist-ties from paper or plastic bag before placing bag in oven. Do not heat Chinese food containers or foil lined bags.
 - (3). If material inside of the oven ignite, keep oven door closed, turn oven off, and disconnect the power cord, or shut off power at the fuse or circuit breaker panel.
 - (4). Do not use the cavity for storage purposes. Do not leave paper products, cooking utensils, or food in the cavity when not in use.
17. Liquids, such as water, coffee, or tea are able to be overheated beyond the boiling point without appearing to be boiling. Visible bubbling or boiling when the container is removed from the microwave oven is not always present.

If it is necessary to use an extension cord, use only a 3-wire extension cord that has a 3-blade grounding plug, and a 3-slot receptacle that will accept the plug on the appliance. The marked rating of the extension cord shall be equal to or greater than the electrical rating of the appliance.

THIS COULD RESULT IN VERY HOT LIQUID SUDDENLY BOILING OVER WHEN THE CONTAINER IS DISTURBED OR A UTENSIL IS INSERTED INTO THE LIQUID.

To reduce the risk of injury to persons:

- (1) Do not overheat the liquid.
- (2) Stir the liquid both before and halfway through heating it.
- (3) Do not use straight-sided containers with narrow necks.
- (4) After heating, allow the container to stand in the microwave oven for a short time before removing the container.
- (5) Use extreme care when inserting a spoon or other utensil into the container.

18. Under-cabinet and wall-mounted appliances:

- (1) Do not operate any heating or cooking appliance beneath this appliance.
- (2) Do not mount unit over or near any portion of a heating or cooking appliance.
- (3) Do not mount over a sink.
- (4) Do not store anything directly on top of the appliance surface when the appliance is in operation.

SAVE THESE INSTRUCTIONS GROUNDING INSTRUCTIONS

This appliance must be grounded. In the event of an electrical short circuit, grounding reduces the risk of electric shock by providing an escape wire for the electric current. This appliance is equipped with a cord having a grounding wire with a grounding plug. The plug must be plugged into an outlet that is properly installed and grounded.

Consult a qualified electrician if the grounding instructions are not completely understood as to whether the appliance is properly grounded.

WARNING - Improper use of the grounding can result in a risk of electric shock.

Consult a qualified electrician or serviceman if the grounding instructions are not completely understood, or if doubt exists as to whether the appliance is properly grounded. If it is necessary to use an extension cord, use only a 3-wire extension cord that has a 3-blade grounded plug, and 3-slot receptacle that will accept the plug on the appliance. The marked rating of the extension cord shall be equal to or greater than the electrical rating of the appliance.

DANGER - Electric Shock Hazard

Touching some of the internal components can cause serious personal injury or death. Do not disassemble this appliance.

WARNING - Electric Shock Hazard

Improper use of the grounding can result in electric shock. Do not plug into an outlet until appliance is properly installed and grounded.

If it is necessary to use an extension cord, use only a 3-wire extension cord that has a 3-blade grounding plug, and a 3-slot receptacle that will accept the plug on the appliance. The marked rating of the extension cord shall be equal to or greater than the electrical rating of the appliance.

1. A short power-supply cord is provided to reduce the risks resulting from becoming entangled in or tripping over a longer cord.
2. Longer cord sets or extension cords are available and may be used if care is exercised in their use.
3. If a long cord or extension cord is used:
 - (1) The marked electrical rating of the cord set or extension cord should be at least as great as the electrical rating of the appliance.
 - (2) The extension cord must be a grounding-type 3-wire cord.
 - (3) The longer cord should be arranged so that it will not drape over the counter top or tabletop where it can be pulled on by children or tripped over unintentionally.

RADIO INTERFERENCE

1. Operation of the microwave oven may cause interference to your radio, TV or similar equipment.
2. When there is interference, it may be reduced or eliminated by taking the following measures:
 - 1) Clean door and sealing surface of the oven
 - 2) Reorient the receiving antenna of radio or television.
 - 3) Relocate the microwave oven with respect to the receiver.
 - 4) Move the microwave oven away from the receiver.
 - 5) Plug the microwave oven into a different outlet so that microwave oven and receiver are on different branch circuits.

This device complies with Part 18 of the FCC Rules.

UTENSILS

CAUTION - Personal Injury Hazard

Tightly-closed utensils could explode. Closed containers should be opened and plastic pouches should be pierced before cooking.

See the instructions on "Materials you can use in microwave oven or to be avoided in microwave oven."

There may be certain non-metallic utensils that are not safe to use for microwaving. If in doubt, you can test the utensil in question following the procedure below.

Utensil Test:

1. Fill a microwave-safe container with 1 cup of cold water (250ml) along with the utensil in question.
2. Cook on maximum power for 1 minute.
3. Carefully feel the utensil. If the empty utensil is warm, do not use it for microwave cooking.
4. Do not exceed 1 minute cooking time.

SAFE PLUG

Combination appliances utilize Safe Plug, a revolutionary, patented design, to conserve electricity and reduce potential fire hazards that can be caused by overloaded circuits. Built into the microwave, works by temporarily shutting off the power to the refrigerator and charging outlets when the microwave is in use. When the microwave is finished, power to the refrigerator and charging outlets resumes. Engineered with unique one-plug-to-the-wall operation, combination appliances never draw more than 11-15 amps of current.

MicroFridge uses patented intelligent load monitoring technology to control the microwave, refrigerator and extra outlets. The charging station with 2 USB outlets and one outlet is designed to conveniently re-charge smart phones, tablets, laptops or similar low power devices.

CLEANING

Wipe the oven inside and outside with a soft cloth and a mild detergent solution. Then rinse and wipe dry. This should be done on a weekly basis, more often if needed. Never use cleaning powders or rough pads. Excessive oil splatters on the inside top will be difficult to remove if left for many days. Wipe splatters with a wet paper towel, especially after cooking chicken or bacon.

REMOVABLE PARTS

The following parts may be removed as described. They should be washed in warm (not hot) water with a mild detergent and a soft cloth. Once they are clean, rinse them well and dry with a soft cloth. Never use cleaning powders, steel wool or rough pads.

1. The turntable may be cleaned at the sink. Be careful not to chip or scratch the edges as this may cause the turntable to break during use.
2. The turntable roller rest should be cleaned regularly.

SPECIAL CARE

For best performance and safety, the inner door panel and the oven front frame should be free of food or grease buildup. Clean them often with a mild detergent. Then rinse and wipe dry. Never use cleaning powders, steel wool or rough pads.

After cleaning the control panel, touch the Clear/Off pad to clear any entries that might have been entered accidentally while cleaning the panel.

Materials you can use in microwave oven

Utensils	Remarks
Browning dish	Follow manufacturer* instructions. The bottom of browning dish must be at least 3/16 inch (5mm) above the turntable. Incorrect usage may cause the turntable to break.
Dinnerware	Microwave-safe only. Follow manufacturer's instructions. Do not use cracked or chipped dishes.
Glass jars	Always remove lid. Use only to heat food until just warm. Most glass jars are not heat resistant and may break.
Glassware	Heat-resistant oven glassware only. Make sure there is no metallic trim. Do not use cracked or chipped dishes.
Oven cooking bags	Follow manufacturer* instructions. Do not close with metal tie. Make slits to allow steam to escape.
Paper plates and cups	Use for short-term cooking/warming only. Do not leave oven unattended while cooking.
Paper towels	Use to cover food for reheating and absorbing fat. Use with supervision for a short-term cooking only.
Parchment paper	Use as a cover to prevent splattering or a wrap for steaming.
Plastic	Microwave-safe only. Follow the manufacturer* instructions. Should be labeled "Microwave Safe". Some plastic containers soften, as the food inside gets hot. "Boiling bags" and tightly closed plastic bags should be slit, pierced or vented as directed by package.
Plastic wrap	Microwave-safe only. Use to cover food during cooking to retain moisture. Do not allow plastic wrap to touch food.
Thermometers	Microwave-safe only (meat and candy thermometers).
Wax paper	Use as a cover to prevent splattering and retain moisture.

Materials to be avoided in microwave oven

Utensils	Remarks
Aluminum tray	May cause arcing. Transfer food into microwave-safe dish.
Food carton with metal handle	May cause arcing. Transfer food into microwave-safe dish.
Metal or metal-trimmed utensils	Metal shields the food from microwave energy. Metal trim may cause arcing.
Metal twist ties	May cause arcing and could cause a fire in the oven.
Paper bags	May cause a fire in the oven.
Plastic foam	Plastic foam may melt or contaminate the liquid inside when exposed to high temperature.
Wood	Wood will dry out when used in the microwave oven and may split or crack.

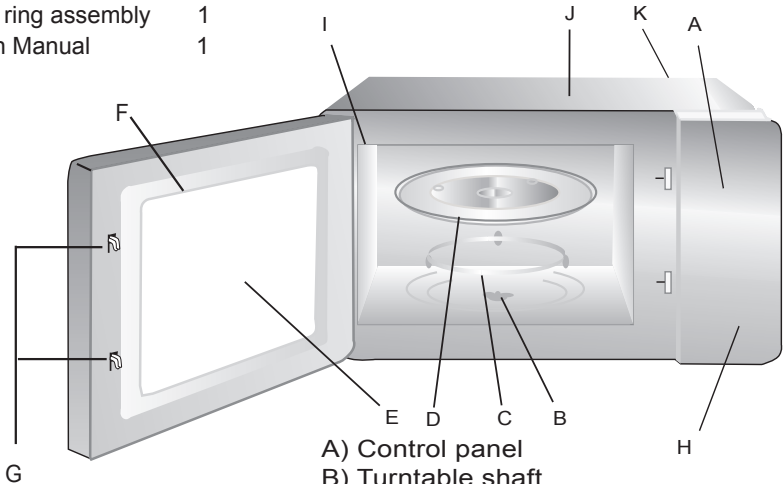
SETTING UP YOUR OVEN

Names of Oven Parts and Accessories

Remove the oven and all materials from the carton and oven cavity.

Your oven comes with the following accessories:

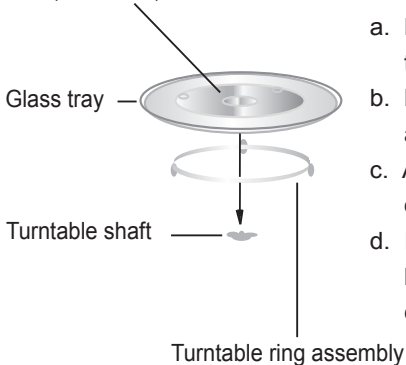
Glass tray	1
Turntable ring assembly	1
Instruction Manual	1



- A) Control panel
- B) Turntable shaft
- C) Turntable ring assembly
- D) Glass tray
- E) Observation window
- F) Door assembly
- G) Safety interlock system
- H) 4A(480W) Charger Outlets
- I) Smoke Sensor
- J) Cabinet
- K) Refrigerator Outlet 9A(1080W)

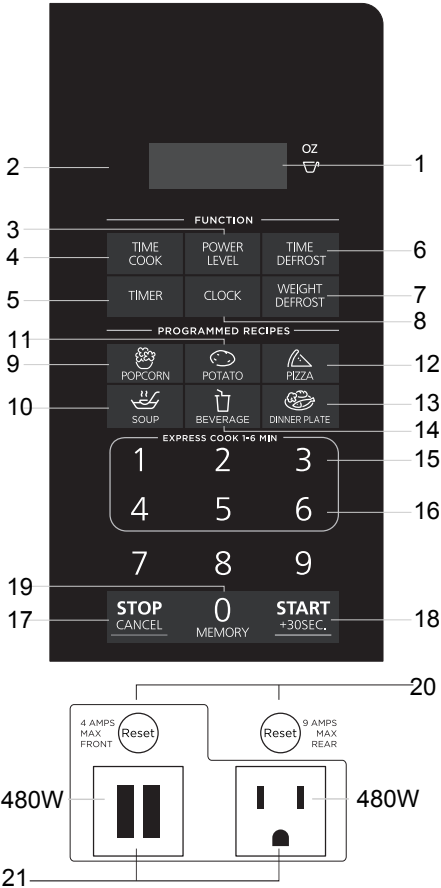
Turntable Installation

Hub (underside)



- a. Never place the glass tray upside down. The glass tray should never be restricted.
- b. Both glass tray and turntable ring assembly must always be used during cooking.
- c. All food and containers of food are always placed on the glass tray for cooking.
- d. If glass tray or turntable ring assembly cracks or breaks, contact your nearest authorized service center.

CONTROL PANEL AND FEATURES



(1) DISPLAY WINDOW

Counts down cooking time in seconds during cooking. Shows clock time when oven is not in use.

(2) INDICATORS

Cook: A flashing indicator shows you that a Cook cycle is functioning.

Clock: Indicates that the display is in the time of day mode.

Pause: A flashing indicator shows that the oven is off, but a cooking program is held in memory.

Time Defrost: A flashing indicator shows you that a Time Defrost cycle is functioning.

PROGRAMMED RECIPES

(3) POWER LEVEL

(4) TIME COOK

(5) TIMER

(6) TIME DEFROST

(7) WEIGHT DEFROST

(8) CLOCK

(9) POPCORN

(10) SOUP

(11) POTATO

(12) PIZZA

(13) DINNER PLATE

(14) BEVERAGE

(15) EXPRESS COOK

(16) NUMBER PADS

(17) STOP/CANCEL

(18) START/+30SEC.

(19) 0/MEMORY

(20) RESET BUTTONS

(21) CHARGER OUTLETS

Countertop Installation

Remove all packing material and accessories. Examine the oven for any damage such as dents or broken door. Do not install if oven is damaged.

Cabinet: Remove any protective film found on the microwave oven cabinet surface.

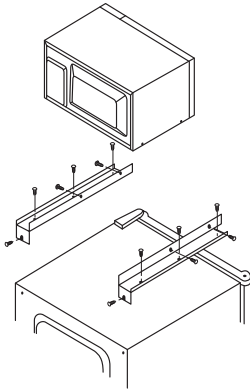
Do not remove the light brown Mica cover that is attached to the oven cavity to protect the magnetron.

Installation

1. Select a level surface that provide enough open space for the intake and/or outlet vents.

A minimum clearance of 3.0 inches (7.5cm) is required between the oven and any adjacent walls. One side must be open.

- (1) Leave a minimum clearance of 12 inches (30cm) above the oven.
- (2) Do not remove the legs from the bottom of the oven.



Assembly Diagram

1. Locate the microwave oven Remove the packet of twelve (12) screws located inside the microwave oven. Retain the screws.
2. Place the right bracket flush with the top right side of the refrigerator/freezer with its rear lip facing downward over the back edge of the refrigerator/freezer, the shorter bend without holes should face outward.
3. Align the hole in the rear lip of the bracket with the hole on the back of the refrigerator/freezer, and attach using the screws from Step 1.
4. Using the screws from Step 1, attach the bracket(s) to the top of the refrigerator/ freezer using the three (3) holes located on the bottom of the bracket. There are no preset holes in the top of the refrigerator/freezer so apply pressure when installing the screws.
5. Place the left bracket flush with the top left side of the refrigerator/freezer with its rear lip facing downward over the back edge of the refrigerator/freezer, the shorter bend without holes should face outward.
6. To finish installing the left bracket please repeat steps 4 and 5.

- (3) Blocking the intake and/or outlet openings can damage the oven.
 - (4) Place the oven as far away from radios and TV as possible. Operation of microwave oven may cause interference to your radio or TV reception.
2. Plug your oven into a standard household outlet. Be sure the voltage and the frequency is the same as the voltage and the frequency on the rating label.

WARNING: Do not install oven over a range cooktop or other heat-producing appliance. If installed near or over a heat source, the oven could be damaged and the warranty would be void.

Microwave Oven & Refrigerator Compatibility Chart

Oven	MFM-9D1	MFM-9D1W
Refrigerator	4.8MF4R	4.8MF4RW
	10.3RMF4R	10.3RMF4RW
	10.3LMF4R	10.3LMF4RW

7. Place the microwave oven on top of the refrigerator/freezer and inside the two upright sides of the brackets. Line up the two (2) holes on each side of the microwave oven with those on the brackets, and attach the microwave oven using the screws from Step 1.
8. Plug the refrigerator/freezer AC cord into the outlet on the back of the microwave oven.
9. Plug the AC cord from the microwave oven into an appropriate, grounded outlet.

The MicroFridge combination appliance will now operate within eleven (11) to fifteen (15) amps of current draw.

BCH9.

V@AÜ~tã!æ!Áæã/æ@*ã*Á[~ç•Á, ãÁ}[ó[]^!æÁ, @)Ác@Á{æ[, æ^Á[ç^}ÁãÁ[]}Ë
 G^["!Á[ç^}Áã[^•Á}[ó[]^!æÁ![]^!Ë^}]|^*ÁãÁ[{ Ác@ÁFGÁç[!Á@~•^@!ãÁ[~ç^ÁæãÁc@)Á]^*Á
 ãÁæãÁãË@Á)ãÁ[ó^•ã}^ãÁ!Áç: Á!Áæ^Áã&ãÁc@!Ác@ÁFGÁç[!Áç: Ác@&!!^}Ë

CHARGER AND REAR OUTLETS

Use one or both of the two convenient USB ports and 120 VAC outlet located on the front of the oven to charge cell phones, digital cameras, tablets, laptops or similar low power devices. The outlets are limited to 4 AMPS or 480 Watts maximum.

1. Charger Outlets Operation

- 1) Charger Outlets are always active unless the microwave is running.
- 2) Each Charger Outlet is monitored for load; loads in excess of 4.0 amperes or 480 Watts will cause the Charger Outlets to become inactive.
- 3) Once the Charger Outlet has become inactive due to excessive load, the user must unplug the load and press the Charger Reset button one time to restore power to the Charger Outlet. Do not hold or tape the Charger Reset button in the down position.

2. Charger Lamp Operation

- 1) When the Charger Outlet is inactive (No power at the outlet), the Charger Lamp is ON.
- 2) When the Charger Outlet is active (power at the outlet), the Charger Lamp is OFF.
- 3) When the Charger Outlet is inactive due to the microwave operation, the Charger Lamp is OFF.

CAUTION - Be careful not to entrap any charger cords in the microwave door.

PROPER AND SAFE USE OF YOUR OVEN

- The turntable and turntable roller guide must be in the oven during cooking.
- Place the cookware gently on the turntable and handle it carefully to avoid possible breakage.
- Use only the specified bag size when using Popcorn.
- The oven has several built-in safety switches to ensure that the power remains off when the door is open. Do not tamper with these switches.

- Do not operate the microwave oven empty. Operating the oven with no food or food that is extremely low in moisture can cause fire, charring or sparking.
- Do not cook bacon directly on the turntable. Excessive local heating of the turntable may cause it to break.
- Do not heat baby bottles or baby food in the microwave oven. Uneven heating may occur and cause physical injury.
- Do not heat narrow-necked containers, such as syrup bottles.
- Do not attempt to deep-fry in your microwave oven.
- Do not do home canning in this microwave oven as it is impossible to be sure all contents of the jar have reached a boiling temperature.
- Do not use this microwave oven for commercial purposes. This microwave oven is made for non-commercial use only.
- Do not use the socket located on the back panel of the Microwave Oven for any purpose other than to plug in the refrigerator cord. Do not plug other electrical items into this socket.

SMOKE SENSOR

If you press the " **START/+30SEC.** " button to cook two minutes before power on, do not make smoke alarm judgment in the first two minutes, and do not alarm conditions. After the smoke alarm, and display "Err1". The Err1 alarm will be cancelled after 5 minutes, and the start button can be pressed again to cook after the alarm is cancelled. You can press the Reset button within 5 minutes, but all other buttons will not work. After the smoke sensor reports "Err1", if you press any key for another 1 minute within 5 minutes, F3 will not be reported.

OPERATION

1. Power Level

11 power levels are available.

Level	10	9	8	7	6	5	4	3	2	1
Power	100%	90%	80%	70%	60%	50%	40%	30%	20%	10%
Display	PL10	PL9	PL8	PL7	PL6	PL5	PL4	PL3	PL2	PL1

2.Waiting State

At the initial power on, buzzer sound once, The LED will display "0:00" ,oven enter waiting state. There are three types of conditions into waiting state:

- 1) At the initial power on, press any key.
- 2) In the process of setting, press "**START/+30SEC.**" to enter.
- 3) If there is no operation within 1 minute, enter waiting state.

3. Clock Setting

- (1) In waiting state, Press "**CLOCK**" once, "12:00" will display. correct time needs to be enter first. (At this point, "12:00" cannot be directly confirmed. press "CLOCK" will be no response.)
- (2) Press the number keys and enter the current time. For example, time is 12:10 now, please press "1, 2, 1, 0" in sequence.
- (3) Press "**CLOCK**" to finish clock setting. ":" will flash and the clock will be lighted.
- (4) If the numbers input are not within the range of 1:00--12:59, the buzzer will sound once to report the error and setting will be invalid, until valid numbers are input.

Note: (1) In the process of clock setting, if "**STOP/CANCEL**" button is pressed or if there is no operation within 1 minute, the oven will go back to the former setting automatically. (Clock cannot be stopped during resetting).

(2) If the clock need to be reset, please repeat step 1 to step 3. (Clock cannot be set cyclically).

4. Kitchen Timer

- (1) In waiting state, Press "**TIMER**" once, the screen will display "00:00" .
- (2) Press the number keys and enter the timer time. (The maximum cooking time is 99 minutes and 99 seconds.)
- (3) Press "**START/+30SEC.**" to confirm setting.
- (4) When the timer time arrives, the buzzer will ring 5 times and "End" display. (Press "**STOP/CANCEL**" or open the oven door to cancel "End" display.)
If the clock has been set (12-hour system), the screen will display the current time.

Note: (1) The kitchen time is different from 12-hour system. Kitchen Timer is a timer.

(2) During kitchen timer's operation, any program cannot be set. TIMER will not be affected by opening or closing the oven door.

5. Microwave cooking

(1) Press " **TIME COOK** " once, LED will display ":0".

(2) Press number keys to input the cooking time; the maximum cooking time is 9 minutes and 99 seconds.

(3) Press " **POWER LEVEL** " once, LED will display "PL10". The default power is 100% power. Now you can press number keys or " **POWER LEVEL** " to adjust the power level.

(4) Press " **START/+30SEC.** " to start cooking.

(5) When the timer time arrives, the buzzer will ring 5 times and "End" display. (Press " **STOP/CANCEL** " or open the oven door to cancel "End" display.)

Example: to cook the food with 50% microwave power for 15 minutes.

a. Press " **TIME COOK** " once. ":0" displays.

b. Press "5", "0", "0" in sequence.

c. Press " **POWER LEVEL** " once, then press "5" to select 50% microwave power.

d. Press " **START/+30SEC.** " to start cooking.

e. When the timer time arrives, the buzzer will ring 5 times and "End" display. (Press " **STOP/CANCEL** " or open the oven door to cancel "End" display.)

Note:(1) In the process of setting, if the " **STOP/CANCEL** " button is pressed or if there is no operation within 1 minute, the oven will go back to the former setting automatically.

(2) During microwave cooking, " **POWER LEVEL** " can be pressed to change the power you need. After pressing " **POWER LEVEL** ", now you can press number button to change the power.

The oven will work with the selected power for the rest time.

(3) The time for microwave cooking cannot be input cyclically.

6. Speedy Cooking

(1) In waiting state, instant cooking at 100% power level can be started by select a cooking time from 1 to 6 minutes by pressing number pads 1 to 6. Press " **START/+30SEC.** " to increase the cooking time; the maximum cooking time is 9 minutes and 99 seconds.

(2) In waiting state, instant cooking at 100% power level with 30 seconds' cooking time can be started by pressing " **START/+30SEC.** ". Each press on the same button will increase cooking time by 30 seconds. the maximum cooking time is 9 minutes and 99 seconds.

Note: during microwave cooking and time defrost, time can be added by pressing " **START/+30SEC.** " button.

(Since the minimum time for the setting is 30s, the time for cooking is bound to be less than 9:99, therefore, the total time for cooking only needs to within 9:69 - 9:99).

7. Weight Defrost Function

(1) Press " **WEIGHT DEFROST** "once, the screen will display "dEF1".

(2) Press numerical buttons to input weight to be defrosted.

Input the weight ranged between 4~52Oz. for example, the LED will display "5-" if the input value is 5Oz, in which the "-" is used to indicate the unit of weight on the film patch.

(3) Press " **START/+30SEC.** " to start defrosting and the cooking time remained will be displayed.

Note: If the number input is not within the range from 4 Oz to 52 Oz, the buzzer will give a sound denoting error after the "Start" is pressed and the "Err" indicator will display. At this point, there will be no response after any other keys are pressed.

(4) The buzzer will sound twice to remind of turning-over after the third stage of heating ends.

(5) When the timer time arrives, the buzzer will ring 5 times and "End" display. (Press " **STOP/CANCEL**" or open the oven door to cancel "End" display.)

8. Time Defrost Function

(1) Press " **TIME DEFROST** " once, the screen will display "dEF2".

(2) Press number pads to input defrosting time. The effective time range is 0:01~9:99 .

(3) The default microwave power is power level 3. and cannot be modified.

(4) Press " **START/+30SEC.** " to start defrosting. The remained cooking time will be displayed.

(5) When the timer time arrives, the buzzer will ring 5 times and "End" display. (Press " **STOP/CANCEL**" or open the oven door to cancel "End" display.)

Note: Half time passes, the oven sounds twice to remind of power conversion, and this is normal.

9. POPCORN

(a) Press " **POPCORN** " repeatedly until the number you wish appears in the display, "1.75", "3.0", "3.5" Oz will display in order.

For example, press " **POPCORN** " once, "1.75" appears.

(b) Press " **START/+30 SEC.** " to cook, buzzer sounds once. When cooking finishes, buzzer will sound five times and "End" display. (Press " **STOP/CANCEL**" or open the oven door to cancel "End" display.)

10. POTATO

(a) Press "**POTATO**" repeatedly until the number you wish appears in the display, "1", "2", "3" will display in order.

"1"SET : 1 potato (approximate 8 Oz)

"2"SETS: 2 potatoes (approximate 16 Oz)

"3"SETS: 3 potatoes (approximate 24 Oz)

For example, press "**POTATO**" once, "1" appears.

(b) Press "**START/+30 SEC.**" to cook, buzzer sounds once. When cooking finishes, buzzer sounds five times and "End" display. (Press "**STOP/CANCEL**" or open the oven door to cancel "End" display.)

11. PIZZA

(a) Press "**PIZZA**" repeatedly until the number you wish appears in the display, "4.0", "8.0", "14.0" Oz will display in order.

For example, press "**PIZZA**" once, "4.0" appears.

(b) Press "**START/+30 SEC.**" to cook, buzzer sounds once. When cooking finishes, buzzer sounds five times and "End" display. (Press "**STOP/CANCEL**" or open the oven door to cancel "End" display.)

12. SOUP

(a) Press "**SOUP**" repeatedly until the number you wish appears in the display, "4.0", "8.0", "12.0", "16.0" will display in order.

For example, press "**SOUP**" once, "4.0" appears.

(b) Press "**START/+30 SEC.**" to cook, buzzer sounds once. When cooking finishes, buzzer sounds five times and "End" display. (Press "**STOP/CANCEL**" or open the oven door to cancel "End" display.)

13. BEVERAGE

(a) Press "**BEVERAGE**" repeatedly until the number you wish appears in the display, "1-", "2-", "3-" cup will display in order. One cup is about 120ml. For example, press "**BEVERAGE**" once, "1-" appears.

(b) Press "**START/+30 SEC.**" to cook, buzzer sounds once. When cooking finishes, buzzer sounds five times and "End" display. (Press "**STOP/CANCEL**" or open the oven door to cancel "End" display.)

14. DINNER PLATE

(a) Press "**DINNER PLATE**" repeatedly until the number you wish appears in the display, "9.0", "12.0", "18.0" Oz will display in order.

For example, press "**DINNER PLATE**" once, "9.0" appears.

(b) Press "**START/+30 SEC.**" to cook, buzzer sounds once. When cooking finishes, buzzer sounds five times and "End" display. (Press "**STOP/CANCEL**" or open the oven door to cancel "End" display.)

15. MEMORY FUNCTION

(1) Press the numeric key "**0/MEMORY**" once, and then press the key "**0/MEMORY**" for several times to choose memory 1 to memory 3 in turn, and "1" to "3" will display.

(2) If the procedure has been set, press " **START/+30SEC.** " to use it. If not, continue to set the procedure. Only one stage can be set.

(3) After finishing the setting, press " **START/+30SEC.** " once to save the procedure.

If press " **START/+30SEC.** " again, it will start cooking.

Example: To set the following procedure as the second memory, that is memory 2.

To cook the food with 80% microwave power for 3 minutes and 20 seconds.

The steps are as follow:

a. In waiting states, press "**0/MEMORY**" twice, stop pressing until the screen displays "2".

b. Press "**TIME COOK**" once, then press "3", "2", "0" in order.

c. Press "**POWER**" once, "PL10" displays, then press "8" and "PL8" displays.

d. Press "**START/ +30 SEC.**" to save the setting. The screen will display "2".

If you press " **START/+30SEC.**" again, the procedure will be saved as the memory 2 and operated.

e. If you want to run the saved procedure, in waiting state, press " **0/MEMORY** " twice, screen displays "2", then press "**START/+30SEC.**" to run.

16. OTHER SPECIFICATIONS

(1) In standby state , if the set clock digital tube displays current time, the icon " : " would flash; otherwise, it shows " **0:00** ".

(2) In setting function state, the screen displays corresponding setting.

(3) Seconds are not converted into minutes in cooking Settings.

(4) In working or pause state, the screen displays surplus cooking time.

(5) Other functions can be switched during the function setup phase.

(6) If the time exceeding 9:99 is input to set the cooking alarm, the buzzer will give a long sound denoting error after the "**START/ +30 SEC.** " key is pressed and the "Err" indicator will display. At this point, there will be no response after any other buttons are pressed, and the "Err" indicator will not disappear after the oven door is opened.

To cancel the "Err" indicator display, please follow the following steps:

a. Press the "**STOP/CANCEL**" key within 1 minute;

b. No operation and it will automatically return to standby state after 1 minute.

The total time for cooking shall not exceed 9:99. It is allowed to increase the time for cooking by pressing the "+30s" button during operation, but if the time exceeds the maximum time for cooking, there will be no response after pressing the "**START/ +30 SEC.**" key.

(Since the minimum time for the setting is 30s, the time for cooking is bound to be less than 9:99, therefore, the total time for cooking only needs to within 9:69 - 9:99).

(7) Open door during the cooking process, cooking stops with out cancelling the program. Cooking resumes when the door is closed and " START/ +30 SEC." / "STOP/CANCEL" is pressed.

17. LOCK FUNCTION FOR CHILDREN

Lock: In waiting state, press " **STOP/CANCEL** " for 3 seconds, there will be a long "beep" denoting the entering into the children-lock state; meanwhile, screen will display " **LOCK**".

Lock quitting: In locked state, press " **STOP/CANCEL** " for 3 seconds, there will be a long "beep" denoting that lock is released.

18. INQUIRING FUNCTION

(1)If there is no clock set for the cooking, the "----" will display normally for 3s after the "**CLOCK**" key is pressed, and after 3s, it will return to the countdown. If the clock is set, the current time will display normally after the "**CLOCK**" key is pressed, and after 3s, it will return to the countdown.

(2) In the microwave cooking state, press " **POWER LEVEL** " to inquire microwave power level, and the current microwave power will be displayed. After three seconds, the oven will turn back to the previous state. In multi-stage state, the inquiring way can be done by the same way as above.

Note: Microwave power cannot be queried during auto menu cooking and defrosting.

19. MUTE FUNCTION

After initial power-on, long-press the numeric key " **7** " for 3s, the Mute mode will be enabled or disabled and the "OFF" or "On" indicator will display; release the key, the standby state will be enabled. In the Mute mode, no memory will be saved in the case of power-down.

20. COOKING END REMINDING FUNCTION

When the cooking is over, the buzzer will sound 5 "beep"s to alert user the cooking is finished.

21.TURNTABLE RESET FUNCTION

1. When cooking finished, if the turntable is not at the initial position, it will enter the turntable reset function. At this time, the lamp, fan and turntable are working, " **TT**" will dynamic display. After the turntable has reset, the oven stops cooking and reminds cooking finished.

2.In waiting state, press number key " **9** " for 3 seconds, there will be a long "beep" denoting turntable reset function is turned off. "OFF" will display. To turn on the turntable reset function, in waiting state press number key " **9** " for 3 seconds, there will be a long "beep" denoting that turntable reset function is released."On" will display.

Note:

1. This function only works for one cooked cooking. If pause or open the oven door during cooking, the current cooking cannot enter the turntable reset function.
- 2.. Under the reset state, opening the door or "**STOP/CANCEL**" key is pressed oven will go back to waiting state.

MAINTENANCE

Troubleshooting

Check your problem by using the chart below and try the solutions for each problem. If the microwave oven still does not work properly, contact the nearest authorized service center.

TROUBLE	POSSIBLE CAUSE	POSSIBLE REMEDY
Oven will not start	<ul style="list-style-type: none">a. Electrical cord for oven is not plugged in.b. Door is open.c. Wrong operation is set.	<ul style="list-style-type: none">a. Plug into the outlet.b. Close the door and try again.c. Check instructions.
Arcing or sparking	<ul style="list-style-type: none">a. Materials to be avoided in microwave oven were used.b. The oven is operated when empty.c. Spilled food remains in the cavity.	<ul style="list-style-type: none">a. Use microwave-safe cookware only.b. Do not operate with oven empty.c. Clean cavity with wet towel.
Unevenly cooked foods	<ul style="list-style-type: none">a. Materials to be avoided in microwave oven were used.b. Food is not defrosted completely.c. Cooking time, power level is not suitable.d. Food is not turned or stirred.	<ul style="list-style-type: none">a. Use microwave-safe cookware only.b. Completely defrost food.c. Use correct cooking time, power level.d. Turn or stir food.
Overcooked foods	<p>Cooking time, power level is not suitable.</p>	<p>Use correct cooking time, power level.</p>
Undercooked foods	<ul style="list-style-type: none">a. Materials to be avoided in microwave oven were used.b. Food is not defrosted completely.c. Oven ventilation ports are restricted.d. Cooking time, power level is not suitable.	<ul style="list-style-type: none">a. Use microwave-safe cookware only.b. Completely defrost food.c. Check to see that oven ventilation ports are not restricted.d. Use correct cooking time, power level.
Improper defrosting	<ul style="list-style-type: none">a. Materials to be avoided in microwave oven were used.b. Cooking time, power level is not suitable.c. Food is not turned or stirred.	<ul style="list-style-type: none">a. Use microwave-safe cookware only.b. Use correct cooking time, power level.c. Turn or stir food.