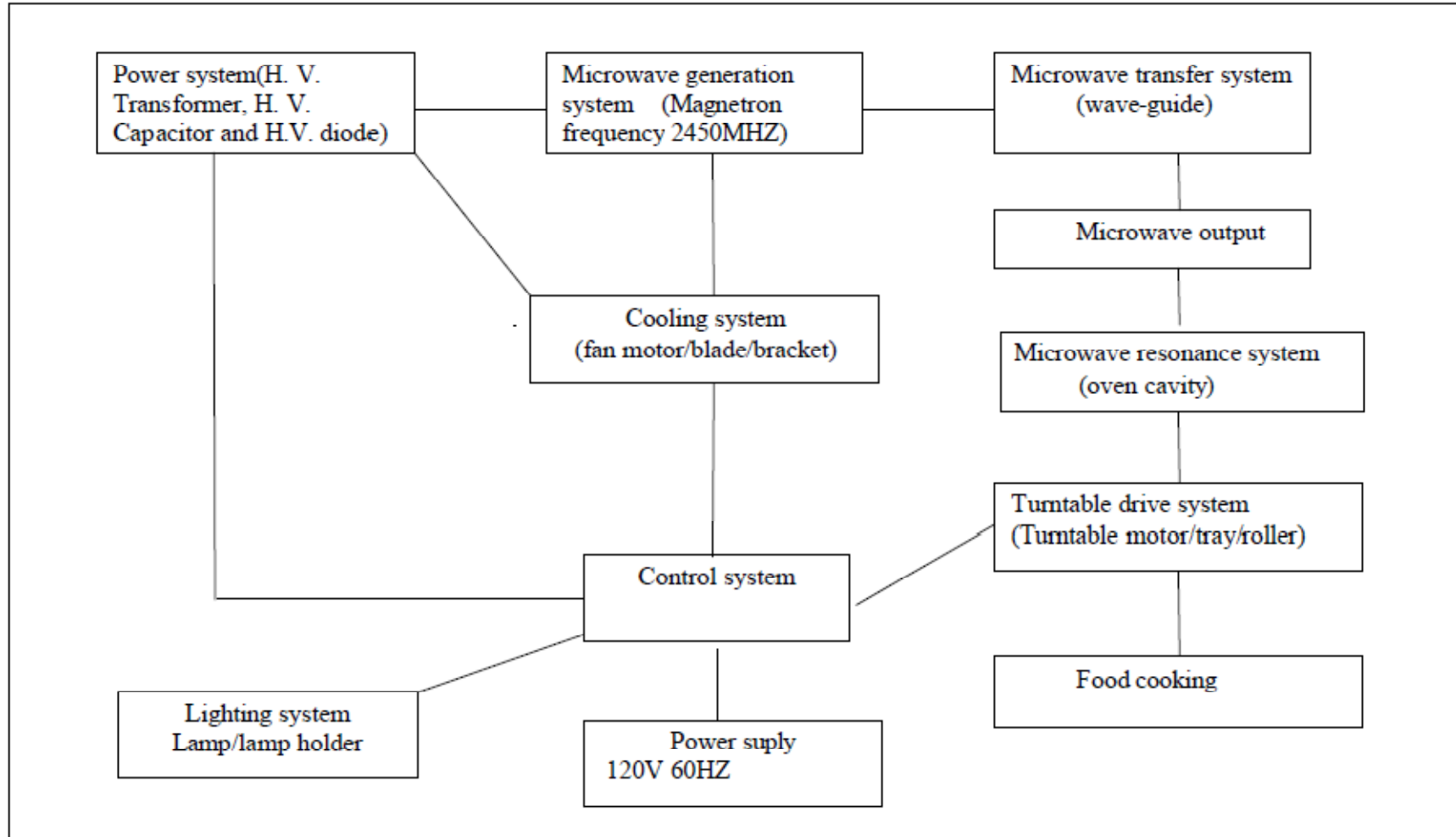
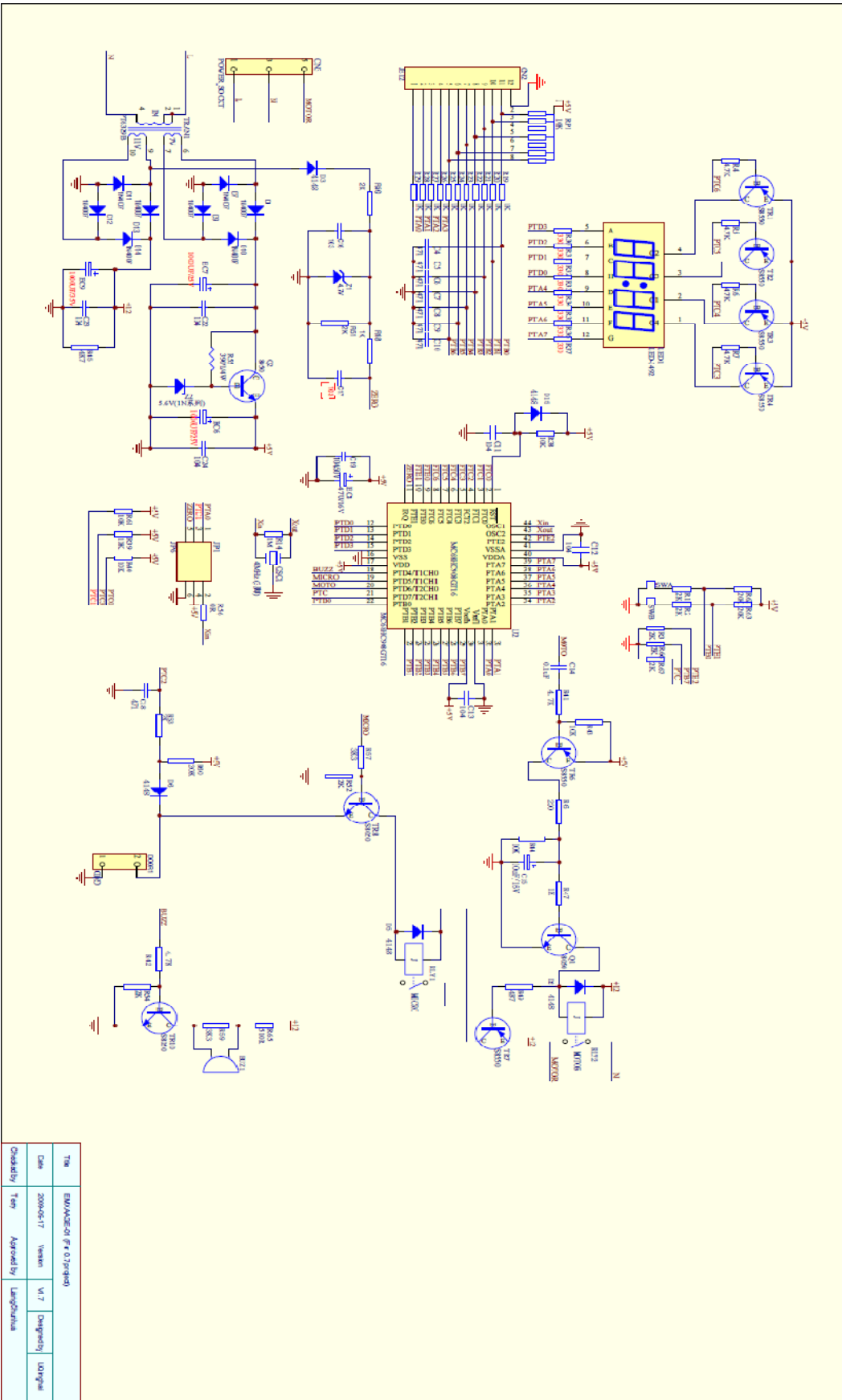


Function diagram

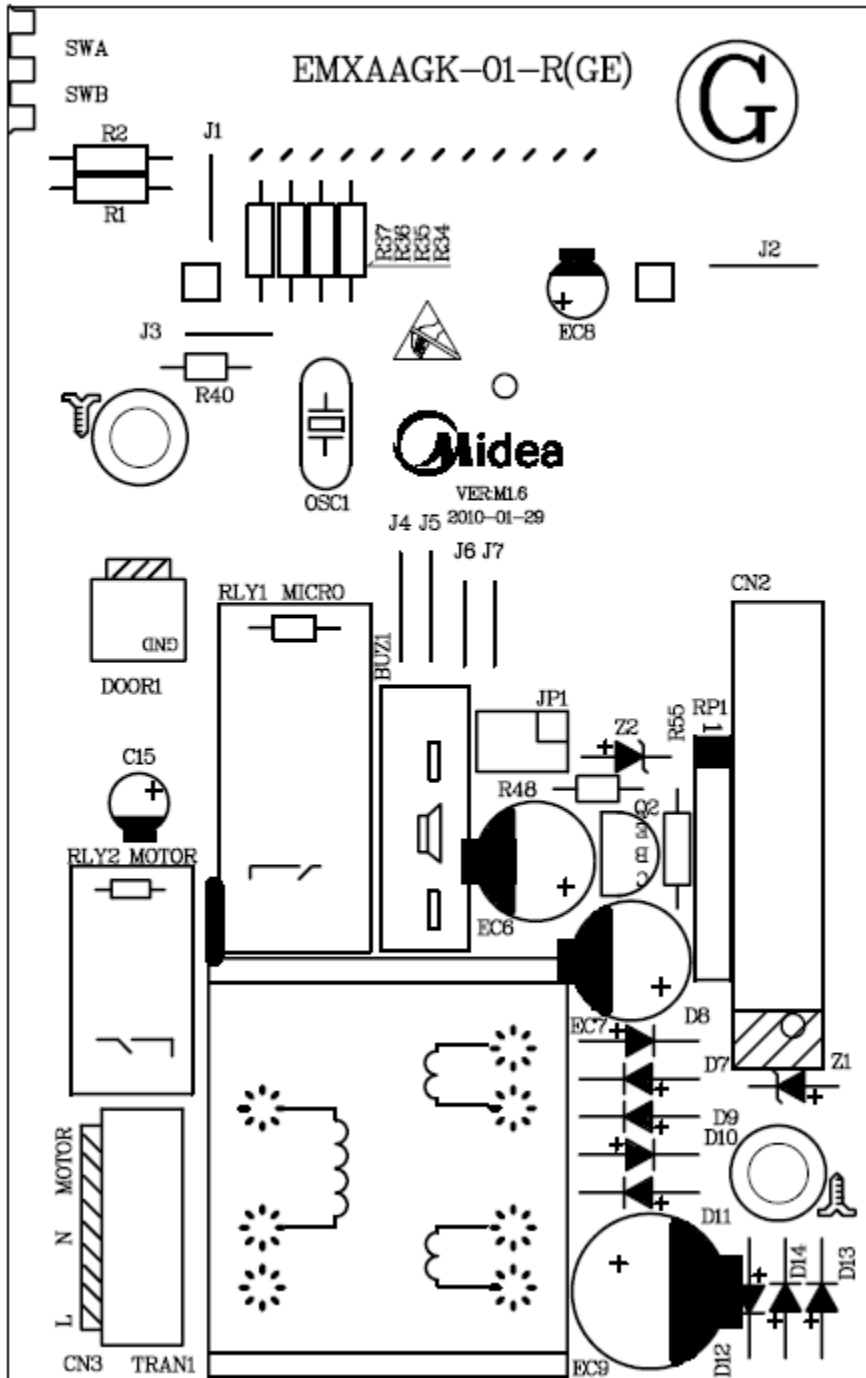
### EM720Dxx 产品方框图

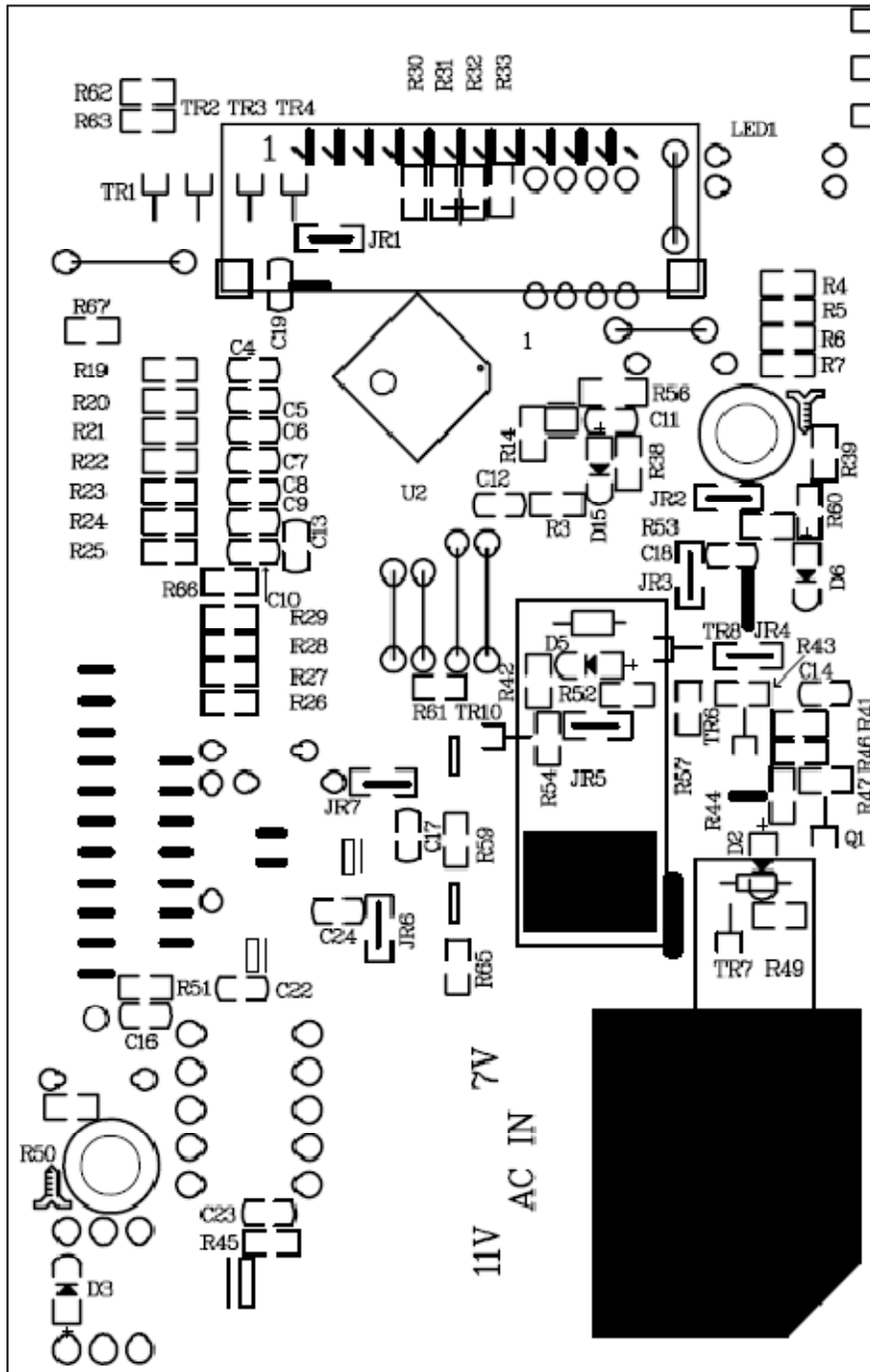


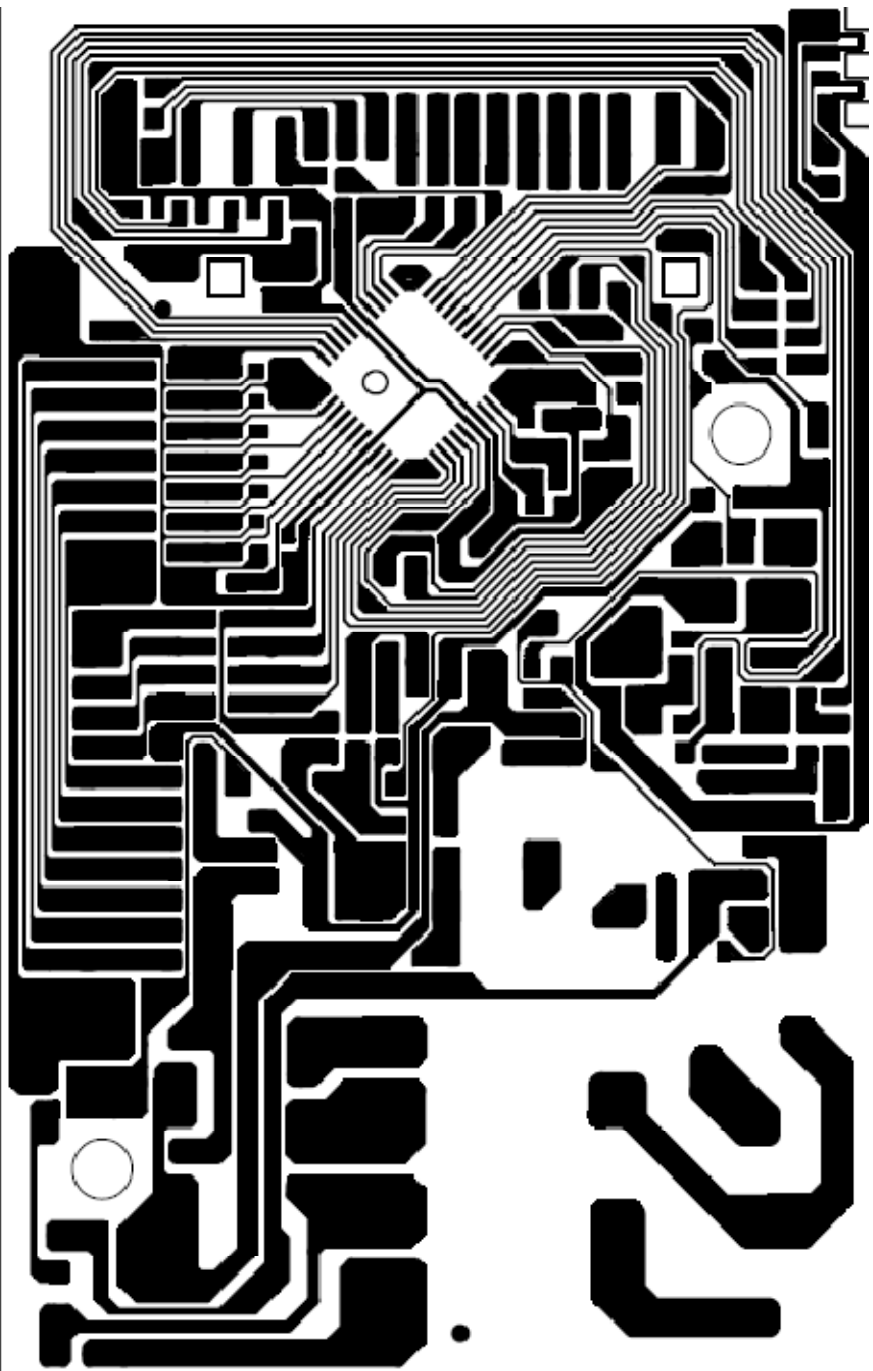
### Circuit of Control PCB



TM	EMBAKEDI (P. O. 279960)		
Date	2006.06.17	Version	V.1.7
Drawn by	Temp	Approved by	Lingchunhua







Circuit of power filter PCB

