

Microwave Oven

**INSTRUCTION MANUAL**

**MODEL:EM048K6DM-PH**

Read these instructions carefully before using your microwave oven, and keep it carefully.

If you follow the instructions, your oven will provide you with many years of good service.

**SAVE THESE INSTRUCTIONS CAREFULLY**

# PRECAUTIONS TO AVOID POSSIBLE EXPOSURE TO EXCESSIVE MICROWAVE ENERGY

- (a) Do not attempt to operate this oven with the door open since open door operation can result in harmful exposure to microwave energy.  
It is important not to defeat or tamper with the safety interlocks.
- (b) Do not place any object between the oven front face and the door or allows soil or cleaner residue to accumulate on sealing surfaces.
- (c) Do not operate the oven if it is damaged. It is particularly important that the oven door close properly and that there is no damage to the:
  - (1) DOOR (bent)
  - (2) HINGES AND LATCHES (broken or loosened)
  - (3) DOOR SEALS AND SEALING SURFACES
- (d) The oven should not be adjusted or repaired by anyone except properly qualified service personnel.

## Specifications

Model	EM048K6DM-PH
Rated Voltage	120 V~ 60 Hz
Microwave Input	1500 W
Microwave Output	1000 W

# IMPORTANT SAFETY INSTRUCTIONS

When using electrical appliances basic safety precautions should be followed, including the following:

**WARNING** - To reduce the risk of burns, electric shock, fire, injury to persons or exposure to excessive microwave energy:

1. Read all instructions before using the appliance.
2. Read and follow the specific: "PRECAUTIONS TO AVOID POSSIBLE EXPOSURE TO EXCESSIVE MICROWAVE ENERGY" found on page 2.
3. This appliance must be grounded. Connect only to properly grounded outlet. See "GROUNDING INSTRUCTIONS" found on page 5.
4. Install or locate this appliance only in accordance with the provided installation instructions.
5. Some products such as whole eggs and sealed containers - for example, closed glass jars - are able to explode and should not be heated in this oven.
6. Use this appliance only for its intended use as described in the manual. Do not use corrosive chemicals or vapors in this appliance. This type of oven is specifically designed to heat, cook or dry food. It is not designed for industrial or laboratory use.
7. "HOT CONTENTS CAN CAUSE SEVERE BURNS. DO NOT ALLOW CHILDREN TO USE THE MICROWAVE. Use caution when removing hot items."
8. Do not operate this appliance if it has a damaged cord or plug, if it is not working properly, or if it has been damaged or dropped.
9. This appliance should be serviced only by qualified service personnel. Contact nearest authorized service facility for examination, repair, or adjustment.
10. Do not cover or block any openings on the appliance.
11. Do not store this appliance outdoors. Do not use this product near water - for example, near a kitchen sink, in a wet basement, near a swimming pool, or similar location.
12. Do not immerse cord or plug in water.
13. Keep cord away from heated surface.
14. Do not let cord hang over edge of table or counter.
15. When cleaning surfaces of door and oven that comes together on closing the door, use only mild, nonabrasive soaps, or detergent applied with a sponge or soft cloth.
16. To reduce the risk of fire in the oven cavity:
  - 1). Do not overcook food. Carefully attend appliance when paper, plastic, or other combustible materials are placed inside the oven to facilitate cooking.
  - 2). Remove wire twist-ties from paper or plastic bag before placing bag in oven.
  - 3). If material inside of the oven ignite, keep oven door closed, turn oven off, and disconnect the power cord, or shut off power at the fuse or circuit breaker panel.
  - 4). Do not use the cavity for storage purposes. Do not leave paper products, cooking utensils, or food in the cavity when not in use.

17. Liquids, such as water, coffee, or tea are able to be overheated beyond the boiling point without appearing to be boiling. Visible bubbling or boiling when the container is removed from the microwave oven is not always present.  
THIS COULD RESULT IN VERY HOT LIQUID SUDDENLY BOILING OVER WHEN THE CONTAINER IS DISTURBED OR A UTENSIL IS INSERTED INTO THE LIQUID.  
To reduce the risk of injury to persons:
  - 1) Do not overheat the liquid.
  - 2) Stir the liquid both before and halfway through heating it.
  - 3) Do not use straight-sided containers with narrow necks.
  - 4) After heating, allow the container to stand in the microwave oven for a short time before removing the container.
  - 5) Use extreme care when inserting a spoon or other utensil into the container.
18. Oversized food or oversized metal utensils should not be inserted in a microwave/toaster oven as they may create a fire or risk of electric shock.
19. Do not clean with metal scouring pads. Pieces can burn off the pad and touch electrical parts involving a risk of electric shock.
20. Do not use paper products when appliance is operated in the toaster mode.
21. Do not store any materials, other than manufacturer's recommended accessories, in this oven when not in use.
22. Do not cover racks or any other part of the oven with metal foil. This will cause overheating of the oven.
23. Clean Ventilation Hoods Frequently - Grease should not be allowed to accumulate on hood or filter.
24. When flaming foods under the hood, turn the fan on.
25. Use care when cleaning the vent-hood filter. Corrosive cleaning agents, such as lye-based oven cleaners, may damage the filter.
26. Suitable for use above both gas and electric cooking equipment.

**SAVE THESE INSTRUCTIONS**

# GROUNDING INSTRUCTIONS

This appliance must be grounded. In the event of an electrical short circuit, grounding reduces the risk of electric shock by providing an escape wire for the electric current. This appliance is equipped with a cord having a grounding wire with a grounding plug. The plug must be plugged into an outlet that is properly installed and grounded.

**WARNING** - Improper use of the grounding can result in a risk of electric shock. Consult a qualified electrician or serviceman if the grounding instructions are not completely understood, or if doubt exists as to whether the appliance is properly grounded. If it is necessary to use an extension cord, use only a 3-wire extension cord that has a 3-blade grounded plug, and 3-slot receptacle that will accept the plug on the appliance. The marked rating of the extension cord shall be equal to or greater than the electrical rating of the appliance.

## **DANGER** - Electric Shock Hazard

Touching some of the internal components can cause serious personal injury or death. Do not disassemble this appliance.

## **WARNING** - Electric Shock Hazard

Improper use of the grounding can result in electric shock. Do not plug into an outlet until appliance is properly installed and grounded.

1. A short power-supply cord is provided to reduce the risks resulting from becoming entangled in or tripping over a longer cord.
2. Longer cord sets or extension cords are available and may be used if care is exercised in their use.
3. If a long cord or extension cord is used:
  - 1) The marked electrical rating of the cord set or extension cord should be at least as great as the electrical rating of the appliance.
  - 2) The extension cord must be a grounding-type 3-wire cord.
  - 3) The longer cord should be arranged so that it will not drape over the counter top or tabletop where it can be pulled on by children or tripped over unintentionally.

# RADIO INTERFERENCE

1. Operation of the microwave oven may cause interference to your radio, TV or similar equipment.
2. When there is interference, it may be reduced or eliminated by taking the following measures:
  - 1) Clean door and sealing surface of the oven
  - 2) Reorient the receiving antenna of radio or television.
  - 3) Relocate the microwave oven with respect to the receiver.
  - 4) Move the microwave oven away from the receiver.
  - 5) Plug the microwave oven into a different outlet so that microwave oven and receiver are on different branch circuits.

**This device complies with part 18 of the FCC Rules.**

# UTENSILS

## **CAUTION - Personal Injury Hazard**

Tightly-closed utensils could explode. Closed containers should be opened and plastic pouches should be pierced before cooking.

See the instructions on "Materials you can use in microwave oven or to be avoided in microwave oven."

There may be certain non-metallic utensils that are not safe to use for microwaving. If in doubt, you can test the utensil in question following the procedure below.

## **Utensil Test:**

1. Fill a microwave-safe container with 1 cup of cold water (250ml) along with the utensil in question.
2. Cook on maximum power for 1 minute.
3. Carefully feel the utensil. If the empty utensil is warm, do not use it for microwave cooking.
4. Do not exceed 1 minute cooking time.

## Materials you can use in microwave oven

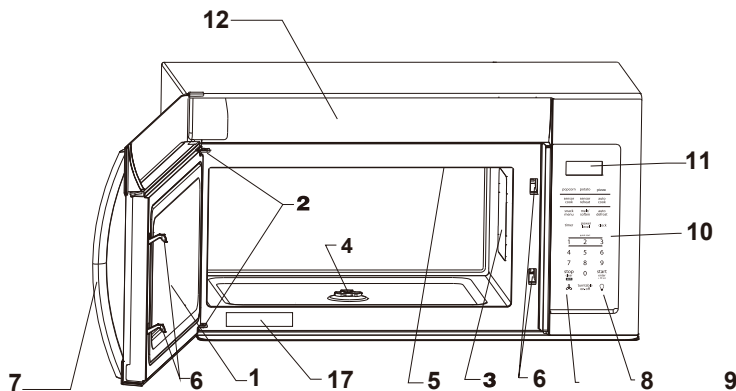
Utensils	Remarks
Browning dish	Follow manufacturer* instructions. The bottom of browning dish must be at least 3/16 inch (5mm) above the turntable. Incorrect usage may cause the turntable to break.
Dinnerware	Microwave-safe only. Follow manufacturer's instructions. Do not use cracked or chipped dishes.
Glass jars	Always remove lid. Use only to heat food until just warm. Most glass jars are not heat resistant and may break.
Glassware	Heat-resistant oven glassware only. Make sure there is no metallic trim. Do not use cracked or chipped dishes.
Oven cooking bags	Follow manufacturer* instructions. Do not close with metal tie. Make slits to allow steam to escape.
Paper plates and cups	Use for short term cooking/warming only. Do not leave oven unattended while cooking.
Paper towels	Use to cover food for reheating and absorbing fat. Use with supervision for a short-term cooking only.
Parchment paper	Use as a cover to prevent splattering or a wrap for steaming.
Plastic	Microwave-safe only. Follow the manufacturer* instructions. Should be labeled "Microwave Safe". Some plastic containers soften, as the food inside gets hot. "Boiling bags" and tightly closed plastic bags should be slit, pierced or vented as directed by package.
Plastic wrap	Microwave-safe only. Use to cover food during cooking to retain moisture. Do not allow plastic wrap to touch food.
Thermometers	Microwave-safe only (meat and candy thermometers).
Wax paper	Use as a cover to prevent splattering and retain moisture.

## Materials to be avoided in microwave oven

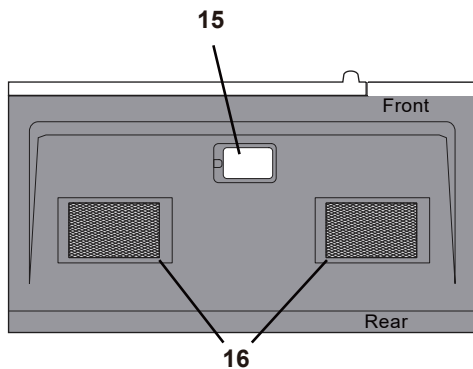
Utensils	Remarks
Aluminum tray	May cause arcing. Transfer food into microwave-safe dish.
Food carton with metal handle	May cause arcing. Transfer food into microwave-safe dish.
Metal or metal-trimmed utensils	Metal shields the food from microwave energy. Metal trim may cause arcing.
Metal twist ties	May cause arcing and could cause a fire in the oven.
Paper bags	May cause a fire in the oven.
Plastic foam	Plastic foam may melt or contaminate the liquid inside when exposed to high temperature.
Wood	Wood will dry out when used in the microwave oven and may split or crack.

# PART NAMES

## FRONT VIEW



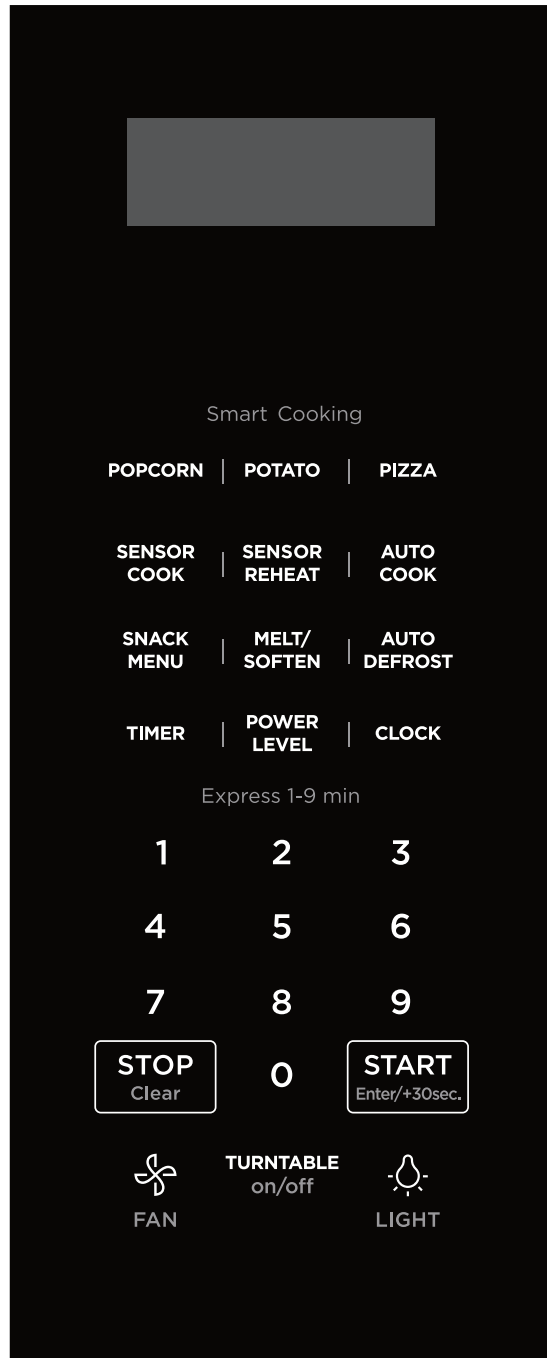
## BOTTOM VIEW



- 1 Microwave oven door with see-through window
- 2 Door hinges
- 3 Waveguide cover:  
DO NOT REMOVE.
- 4 Turntable motor shaft
- 5 Microwave oven light  
It will light when microwave oven is operating or door is open.
- 6 Safety door latches  
The microwave oven will not operate unless the door is securely closed.
- 7 Handle
- 8 Light on/off pad
- 9 Vent hi/lo/off pad  
Press the vent hi/lo/off pad once for high speed, twice for low speed and three times to turn off the fan.
- 10 Auto-Touch control panel
- 11 Time display: Digital display, 99minutes, 99 seconds
- 12 Ventilation openings
- 13 Removable turntable  
The turntable will rotate clockwise or counter-clockwise. Only remove for cleaning.
- 14 Removable turntable support  
First, carefully place the turntable support in the motor shaft in the center of the microwave oven floor. Place the support ring on the microwave oven floor. Then, place the turntable on the turntable support securely.
- 15 Light cover
- 16 Grease filters
- 17 Rating label



# CONTROL PANEL



-----

Number next to the control panel key illustration indicates pages on which there are feature descriptions and usage information.

Note:For detailed information,please go to relative page listed above.

# MANUAL COOKING

- Before operating your new oven make sure you read and understand this Use and Care Guide completely.
- The clock can be disabled when the microwave is first plugged in and the STOP key is selected.  
To re-enable the clock follow clock instructions.

## Setting the Clock

- Suppose you want to enter the correct time of day 10:59.

Touch:	Display Shows:
1. Clock	12:00
2. (1) (0) (5) (9)	10:59 <small>PRESS START</small>
3. START <small>Enter/+30Sec</small> or Clock	10:59

### NOTE

1. If you begin to enter in an incorrect time (e .g. 2:89) the 8 is an invalid digit and cannot be entered. Enter the correct time.

## Microwave cooking

Your Over the Range Microwave Oven can be programmed for 99 minutes 99 seconds (99 :99). Always enter the seconds after the minutes, even if they are both zeros.

- Suppose you want to cook for 5 minutes, 30 seconds at 20% power.

Touch:	Display Shows:
1. (5) (3) (0)	5:30 <small>PRESS START</small>
2. POWER LEVEL	P-HI <small>PRESS START</small>
3. Power Level <small>x8</small> or (2)	P-20 <small>PRESS START</small>
4. START <small>Enter/+30Sec</small>	<small>COOK</small> 5:30

## Setting Kitchen Timer

Your microwave oven can be used as a kitchen timer. You can set up to 99 minutes, 99 seconds. The kitchen timer can be used while the microwave oven is running.

- Suppose you want to set for three minutes.

Touch:	Display Shows:
1. Timer	<small>TIMER</small> : 0
2. (3) (0) (0)	<small>TIMER</small> 3:00
3. Timer	<small>TIMER</small> 3:00 Time counting down

### NOTE

The timer can be reset during the cooking or pause state.

## POWER CHART

PRESS	POWER LEVEL	DISPLAY
POWER LEVEL x 1 or 1	100%	P-HI
POWER LEVEL x 2 or 9	90%	P-90
POWER LEVEL x 3 or 8	80%	P-80
POWER LEVEL x 4 or 7	70%	P-70
POWER LEVEL x 5 or 6	60%	P-60
POWER LEVEL x 6 or 5	50%	P-50
POWER LEVEL x 7 or 4	40%	P-40
POWER LEVEL x 8 or 3	30%	P-30
POWER LEVEL x 9 or 2	20%	P-20
POWER LEVEL x 10 or 1	10%	P-10
POWER LEVEL x 11 or 0	0%	P-0

# MANUAL COOKING

## Popcorn

Press "Popcorn" key and LED displays 3.3 oz.  
You can press "Popcorn" key again to select 3.0 oz.

- Suppose you want to cook 3.0 oz. popcorn.

Touch:	Display Shows:
--------	----------------

- |                          |   |
|--------------------------|---|
| 1. Popcorn               | 3.3 <small>PRESS START</small><br><small>oz</small> |
| 3. PopcornX1 or (2)      | 3.0 <small>PRESS START</small><br><small>oz</small> |
| 2. START<br>Enter/+30Sec | Time counting down                                  |

Press popcorn pad	Amount
X1	3.3 oz.
X2	3.0 oz.

## Pizza

Touch:	Display Shows:
--------	----------------

- |                          |   |
|--------------------------|---|
| 1. Pizza                 | <small>SENSOR</small> P-5L <small>PRESS START</small> |
| 2. START<br>Enter/+30Sec | <small>SENSOR</small> P-5L <small>COOK</small>        |

### NOTE

If the temperature arrived in the threshold value, the screen will display the surplus cook time.

## Potato

Touch:	Display Shows:
--------	----------------

- |                          |  |
|--------------------------|--|
| 1. Potato                | <small>SENSOR</small> P0E <small>PRESS START</small> |
| 2. START<br>Enter/+30Sec | <small>SENSOR</small> P0E <small>COOK</small>        |

## Sensor Cook

There are 4 options (Bacon,Frozen Dinner,Rice, Frozen Breakfast) under the sensor cook.

### Bacon

Touch:	Display Shows:
--------	----------------

- |                          |   |
|--------------------------|---|
| 1. Sensor Cook           | <small>SENSOR</small> Sc-1 <small>PRESS START</small> |
| 2. START<br>Enter/+30Sec | <small>SENSOR</small> 1 <small>PRESS START</small>    |
| 3. (2)                   | <small>SENSOR</small> 2 <small>PRESS START</small>    |
| 4. START<br>Enter/+30Sec | Time counting down                                    |

### Frozen Dinner&Rice&Frozen Breakfast

Touch:	Display Shows:
--------	----------------

- |                          |  |
|--------------------------|--|
| 1. Sensor CookX3         | <small>SENSOR</small> Sc-3 <small>PRESS START</small>                |
| 2. START<br>Enter/+30Sec | <small>SENSOR</small> Sc-3 <small>COOK</small><br>Time counting down |

### NOTE

If the temperature arrived in the threshold value, the screen will display the surplus cook time.

Press sensor cook	Food	Amount
X1	Sc-1 Bacon	1 - 3 slice(optional)
X2	Sc-2 Frozen Dinner	1-20 oz.(range)
X3	Sc-3 Rice	1 - 2 cups(range)
X4	Sc-4 Frozen Breakfast	8 - 12 oz.(range)

# MANUAL COOKING

## Melt/Soften

The oven uses low power to melt and soften items. See the following table.

- Suppose you want to melt 4oz of Chocolate.

Touch:	Display Shows:
1. Melt/ X2 Soften	
2. START Enter/+30Sec	
3. (2)	
4. START Enter/+30Sec	Time counting down

Press Melt Soften pad	Food	Amount
X1	So-1 Melt Butter	1/2 stick(optional)
X2	So-2 Melt Chocolate	2/4/8 oz(optional)
X3	So-3 Soften Ice Cream	Pint/1.5Quart(optional)
X4	So-4 Soften Cream Cheese	3/8 oz(optional)

## Sensor Reheat

There are 5 options (Beverage,Dinner Plate,Soup / Sauce, Casserole/Lasagna, Roll / Muffin) under the sensor reheat.

### Beverage & Soup / Sauce

Touch:	Display Shows:
1. Sensor Reheat X1	
2. START Enter/+30Sec	
3. (2)	
4. START Enter/+30Sec	Time counting down

### Dinner Plate & Casserole/Lasagna & Roll / Muffin

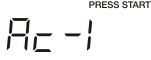



Touch:	Display Shows:
1. Sensor Reheat X2	
2. START Enter/+30Sec	

Press sensor reheat	Food	Amount
X1	Sr-1 Beverage	1-3 cups(optional)
X2	Sr-2 Dinner Plate	1-2 Plates(range)
X3	Sr-3 Soup / Sauce	1-2cups(optional)
X4	Sr-4 Casserole/Lasagna	10.5Oz(range)
X5	Sr-5 Roll / Muffin	1-3 slices(range)

# MANUAL COOKING

## Auto cook

There are 5 options (Scrambled Eggs, Hot Cereal, Frozen Pizza, Fudge Brownies, Stuffed Mushrooms) under the auto cook.





Touch:	Display Shows:
1. Auto cook	 <small>PRESS START</small>
2. <b>START</b> Enter/+30Sec	 <small>PRESS START</small>
3.  2	 <small>PRESS START</small>
4. <b>START</b> Enter/+30Sec	Time counting down

Press auto cook	Food	Amount
<b>X1</b>	<b>AC-1 Scrambled Eggs</b>	<b>1-6 Eggs</b> (optional)
<b>X2</b>	<b>AC-2 Hot Cereal</b>	<b>1-3 Servings</b> (optional)
<b>X3</b>	<b>AC-3 Frozen Pizza</b>	<b>12Oz</b> (range)
<b>X4</b>	<b>AC-4 Fudge Brownies</b>	/
<b>X5</b>	<b>AC-5 Stuffed Mushrooms</b>	/

## Snack Menu

Snack Menu is for cooking/heating foods that take a short amount of time!

- Suppose you want to reheat 3 pieces hot dogs.

Touch:	Display Shows:
1. SnackX3	 <small>PRESS START</small>
2. <b>START</b> Enter/+30Sec	 <small>PRESS START</small>
3.  3	 <small>PRESS START</small>
4. <b>START</b> Enter/+30Sec	Time counting down

Press snack menu	Food	Amount
<b>X1</b>	<b>Sn-1 Fresh Vegetable</b>	<b>2CUPS</b> (range)
<b>X2</b>	<b>Sn-2 Frozen Vegetable</b>	<b>10Oz</b> (range)
<b>X3</b>	<b>Sn-3 Hot Dogs</b>	<b>1-6pieces</b> (optional)
<b>X4</b>	<b>Sn-4 Meal in a cup</b>	<b>2.39Oz</b> (range)
<b>X5</b>	<b>Sn-5 Frozen Kids Meal</b>	<b>8.8Oz</b> (range)

# ONE TOUCH COOK

## AUTO DEFROST

### Using Auto Defrost

The auto defrost feature provides you with the best defrosting method for frozen foods. The cooking guide will show you which defrost sequence is recommended for the food you are defrosting.

### Weight Defrost

Touch:	Display Shows:
1. Auto Defrost X1	DEFR. 0.0 lb
2. (1) (2)	DEFR. 1.2 lb PRESS START
3. START Enter/+30Sec	Time counting down

### Time Defrost

Touch:	Display Shows:
1. Auto Defrost X2	DEFR. 0:00
2. (1) (2) (3)	DEFR. 1:23 PRESS START
3. START Enter/+30Sec	Time counting down

### NOTES

When half of the time has elapsed, the buzzer will sound to remind of turning over the food.

### Operating Tips

- For best results, remove fish, shell fish, meat and poultry from its original closed paper or plastic package (wrapper). Otherwise, the wrap will hold steam and juice close to the foods, which can cause the outer surface of the foods to cook.
- For best results, roll your ground meat into a ball before freezing. During the DEFROST cycle, the microwave will signal when it is time to turn the meat over. Scrape off any excess frost from the meat and continue defrosting.
- Place foods in a shallow container or on a microwave roasting rack to catch drippings.

This table shows food type selections and the weights you can set for each type. For best results, loosen or remove covering on food.

KEY PRESS	Category	WEIGHTS YOU CAN SET (tenths of a pound)
Auto Defrost x 1	Meat	0.1 to 6.0 lbs
Auto Defrost x 1	Poultry	0.1 to 6.0 lbs

### Weight conversion table

You are probably used to measuring food in pounds and ounces that are fractions of a pound (for example, 4 ounces equals 1/4 pound). However, in order to enter food weight in Auto Defrost, you must specify pounds and tenths of a pound.

If the weight on the food package is in fractions of a pound, you can use the following table to convert the weight to decimals.

Equivalent Weight	
OUNCES	DECIMAL WEIGHT
1.6	.10
3.2	.20
4.0	.25 One-Quarter Pound
4.8	.30
6.4	.40
8.0	.50 One-Half Pound
9.6	.60
11.2	.70
12.0	.75 Three-Quarters Pound
12.8	.80
14.4	.90
16.0	1.0 One Pound

### NOTES

If between two decimal weights, choose the lower weight for the best defrosting results.

# AUTO DEFROST

## Auto Defrost Table

**NOTE:** Meat of irregular shape and large, fatty cuts of meat should have the narrow or fatty areas shielded with foil at the beginning of the defrost sequence.

### Meat Settings

FOOD	SETTING	AT BEEP	SPECIAL INSTRUCTIONS
<b>BEEF</b>			
Ground Beef, Bulk	MEAT	Remove thawed portions with fork. Turn over. Return remainder to oven.	Do not defrost less than 1/4 lb. Freeze in ball shape.
Ground Beef, Patties	MEAT	Separate and rearrange.	Do not defrost less than 2 oz. patties. Depress center when freezing.
Round Steak	MEAT	Turn over. Cover warm areas with aluminum foil.	Place in a microwave safe dish.
Tenderloin Steak	MEAT	Turn over. Cover warm areas with aluminum foil.	Place in a microwave safe dish.
Stew Beef	MEAT	Remove thawed portions with fork. Separate remainder.	Place in a microwave safe dish.
Pot Roast, Chuck Roast	MEAT	Return remainder to oven.	Place in a microwave safe dish.
Rib Roast	MEAT	Turn over. Cover warm areas with aluminum foil.	Place in a microwave safe dish.
Rolled Rump Roast	MEAT	Turn over. Cover warm areas with aluminum foil.	Place in a microwave safe dish.
<b>LAMB</b>			
Cubes for Stew	MEAT	Turn over. Cover warm areas with aluminum foil.	Place in a microwave safe dish.
Chops (1 inch thick)	MEAT	Remove thawed portions with fork. Return remainder to oven.	Place in a microwave safe dish.
<b>PORK</b>			
Chops (1/2 inch thick)	MEAT	Separate and rearrange.	Place in a microwave safe dish.
Hot Dogs	MEAT	Separate and rearrange.	Place in a microwave safe dish.
Spareribs Country-style Ribs	MEAT	Turn over. Cover warm areas with aluminum foil.	Place in a microwave safe dish.
Sausage, Links	MEAT	Separate and rearrange.	Place in a microwave safe dish.
Sausage, Bulk	MEAT	Remove thawed portions with fork. Turn over. Return remainder to oven.	Place in a microwave safe dish.
Loin Roast, Boneless	MEAT	Turn over. Cover warm areas with aluminum foil.	Place in a microwave safe dish.

# AUTO DEFROST

## Auto Defrost Table (Continued)

### Poultry Settings

FOOD	SETTING	AT BEEP	SPECIAL INSTRUCTIONS
<b>CHICKEN</b> Whole (up to 6 lbs)  Cut-up	POULTRY	Turn over breast side down. Cover warm areas with aluminum foil.  Separate pieces and rearrange.  Turn over. Cover warm areas with aluminum foil.	Place chicken breast-side up in a microwave safe dish. Finish defrosting by immersing in cold water. Remove giblets when chicken is partially defrosted.  Place in a microwave safe dish.  Finish defrosting by immersing in cold water.
<b>CORNISH HENS</b> Whole	POULTRY	Turn over. Cover warm areas with aluminum foil.	Place in a microwave safe dish. Finish defrosting by immersing in cold water.
<b>TURKEY</b> Breast (up to 6 lbs)	POULTRY	Turn over. Cover warm areas with aluminum foil.	Place in a microwave safe dish. Finish defrosting by immersing in cold water.

### Defrosting Tips

When using Auto Defrost, the weight to be entered is the net weight in pounds and tenths of pounds (the weight of the food minus the container).

Before starting, make sure to remove any and all metal twist-ties that often come with frozen food bags, and replace them with strings or elastic bands.

Open containers, such as cartons, before placing in the oven.

Always slit or pierce plastic pouches or packaging.

If food is foil wrapped, remove foil and place food in a suitable container.

Slit the skin of skinned food, such as sausage.

Bend plastic pouches of food to ensure even defrosting.

Always underestimate defrosting time. If defrosted food is still icy in the center, return it to the microwave oven for more defrosting.

The length of defrosting time varies according to how solidly the food is frozen.

The shape of the package affects how quickly food will defrost. Shallow packages will defrost more quickly than a deep block.

As food begins to defrost, separate the pieces. Separated pieces defrost more easily.

Use small pieces of aluminum foil to shield parts of food such as chicken wings, leg tips, fish tails, or areas that start to get warm. Make sure the foil does not touch the sides, top, or bottom of the oven. The foil can damage the oven lining.

For better results, let food stand after defrosting.

Turn over food during defrosting or standing time. Break apart and remove food as required.



# ONE TOUCH COOK

## Speed Cooking

Press number pads “1-9” or “START Enter/+30Sec ” to start cooking with corresponding time for 100% power level directly.

For number pads “1-9”

For example, cooking with 6 minutes for 100% power level.

Touch:	Display Shows:
1. <b>6</b>	<small>PRESS START</small> : 6
2. Waiting for 2 seconds	<small>COOK</small> 6:00

The oven should be opened and closed in 5 minutes before the speed cooking, otherwise, operating as below.

Touch:	Display Shows:
1. <b>6</b>	<small>PRESS START</small> : 6
2. Waiting for 2 seconds	Food
3. Open and close the door	<small>PRESS START</small> 6:00
4. <b>START <small>Enter/+30Sec</small></b>	Time counting down (Close the door)

For **START Enter/+30Sec**

Touch:	Display Shows:
<b>START <small>Enter/+30Sec</small></b>	<small>COOK</small> :30

## NOTE

Each press on the same key can increase 30 seconds and the maximum time value is “99:99”.

## Vent Fan

The pad controls the 2-speed vent fan. If the vent fan is OFF, the first touch of the Vent pad will turn the fan on HIGH, second touch LOW and third touch OFF.

- Suppose you want to set the vent fan speed to LOW from the OFF position.

Touch:	Display Shows:
1. x1	<small>VENT HI</small> Hi
2. x2	<small>VENT LOW</small> Lo
3. x3	OFF

## Eco Function

To enter ECO mode:

In standby mode, press “STOP/Clear”, the buzzer will sound, Then the clock display will turn off.



To cancel ECO mode:

In ECO mode, open the Oven door or press any keys.

## Light

The pad controls the cooktop light. If the light is off the first touch of the light pad will turn the light on, second touch will turn the light off.

- Suppose you want to set the light for on from the off position.

Touch:	Display Shows:
1. 	on
2. 	off

## Turntable on/off

In turntable-on mode

Touch:	Display Shows:
1. <b>TURNTABLE <small>on/off</small></b> x1	off
2. <b>TURNTABLE <small>on/off</small></b> x2	on

## Inquiring Function

(1) If the clock or timer has been set, the corresponding time will display for 2 seconds by pressing “CLOCK” or “TIMER” in the cooking state.

(2) In the microwave cooking state press “POWER LEVEL” to inquire the power level. It will display for 2 seconds.

# MAINTENANCE

## Troubleshooting

Check your problem by using the chart below and try the solutions for each problem. If the microwave oven still does not work properly, contact the nearest authorized service center.

TROUBLE	POSSIBLE CAUSE	POSSIBLE REMEDY
Oven will not start	<ul style="list-style-type: none"><li>a. Electrical cord for oven is not plugged in.</li><li>b. Door is open.</li><li>c. Wrong operation is set.</li></ul>	<ul style="list-style-type: none"><li>a. Plug into the outlet.</li><li>b. Close the door and try again.</li><li>c. Check instructions.</li></ul>
Arcing or sparking	<ul style="list-style-type: none"><li>a. Materials to be avoided in microwave oven were used.</li><li>b. The oven is operated when empty.</li><li>c. Spilled food remains in the cavity.</li></ul>	<ul style="list-style-type: none"><li>a. Use microwave-safe cookware only.</li><li>b. Do not operate with oven empty.</li><li>c. Clean cavity with wet towel.</li></ul>
Unevenly cooked foods	<ul style="list-style-type: none"><li>a. Materials to be avoided in microwave oven were used.</li><li>b. Food is not defrosted completely.</li><li>c. Cooking time, power level is not suitable.</li><li>d. Food is not turned or stirred.</li></ul>	<ul style="list-style-type: none"><li>a. Use microwave-safe cookware only.</li><li>b. Completely defrost food.</li><li>c. Use correct cooking time, power level.</li><li>d. Turn or stir food.</li></ul>
Overcooked foods	Cooking time, power level is not suitable.	Use correct cooking time, power level.
Undercooked foods	<ul style="list-style-type: none"><li>a. Materials to be avoided in microwave oven were used.</li><li>b. Food is not defrosted completely.</li><li>c. Oven ventilation ports are restricted.</li><li>d. Cooking time, power level is not suitable.</li></ul>	<ul style="list-style-type: none"><li>a. Use microwave-safe cookware only.</li><li>b. Completely defrost food.</li><li>c. Check to see that oven ventilation ports are not restricted.</li><li>d. Use correct cooking time, power level.</li></ul>
Improper defrosting	<ul style="list-style-type: none"><li>a. Materials to be avoided in microwave oven were used.</li><li>b. Cooking time, power level is not suitable.</li><li>c. Food is not turned or stirred.</li></ul>	<ul style="list-style-type: none"><li>a. Use microwave-safe cookware only.</li><li>b. Use correct cooking time, power level.</li><li>c. Turn or stir food.</li></ul>