

Microwave Oven

INSTRUCTION MANUAL

Model: AC142A2GN-SK0A0A

Read these instructions carefully before using your microwave oven, and keep it carefully.

If you follow the instructions, your oven will provide you with many years of good service.

SAVE THESE INSTRUCTIONS CAREFULLY

PRECAUTIONS TO AVOID POSSIBLE EXPOSURE TO EXCESSIVE MICROWAVE ENERGY

- (a) Do not attempt to operate this oven with the door open since open door operation can result in harmful exposure to microwave energy.
It is important not to defeat or tamper with the safety interlocks.
- (b) Do not place any object between the oven front face and the door or allows soil or cleaner residue to accumulate on sealing surfaces.
- (c) Do not operate the oven if it is damaged. It is particularly important that the oven door close properly and that there is no damage to the:
 - (1) DOOR (bent)
 - (2) HINGES AND LATCHES (broken or loosened)
 - (3) DOOR SEALS AND SEALING SURFACES
- (d) The oven should not be adjusted or repaired by anyone except properly qualified service personnel.

Specifications

Model	AC142A2GN-SK0A0A
Rated Voltage	120 V ~ 60 Hz
Microwave Input	1250 W
Microwave Output	1100 W
Convection	1500 W
Grill	1500 W

IMPORTANT SAFETY INSTRUCTIONS

When using electrical appliances basic safety precautions should be followed, including the following:

WARNING - To reduce the risk of burns, electric shock, fire, injury to persons or exposure to excessive microwave energy:

1. Read all instructions before using the appliance.
2. Read and follow the specific: "PRECAUTIONS TO AVOID POSSIBLE EXPOSURE TO EXCESSIVE MICROWAVE ENERGY" found on page 2.
3. This appliance must be grounded. Connect only to properly grounded outlet. See "GROUNDING INSTRUCTIONS" found on page 5.
4. Install or locate this appliance only in accordance with the provided installation instructions.
5. Some products such as whole eggs and sealed containers - for example, closed glass jars - are able to explode and should not be heated in this oven.
6. Use this appliance only for its intended use as described in the manual. Do not use corrosive chemicals or vapors in this appliance. This type of oven is specifically designed to heat, cook or dry food. It is not designed for industrial or laboratory use.
7. As with any appliance, close supervision is necessary when used by children.
8. Do not operate this appliance if it has a damaged cord or plug, if it is not working properly, or if it has been damaged or dropped.
9. This appliance should be serviced only by qualified service personnel. Contact nearest authorized service facility for examination, repair, or adjustment.
10. Do not cover or block any openings on the appliance.
11. Do not store this appliance outdoors. Do not use this product near water - for example, near a kitchen sink, in a wet basement, near a swimming pool, or similar location.
12. Do not immerse cord or plug in water.
13. Keep cord away from heated surface.
14. Do not let cord hang over edge of table or counter.
15. When cleaning surfaces of door and oven that comes together on closing the door, use only mild, nonabrasive soaps, or detergent applied with a sponge or soft cloth.
16. To reduce the risk of fire in the oven cavity:
 - 1). Do not overcook food. Carefully attend appliance when paper, plastic, or other combustible materials are placed inside the oven to facilitate cooking.
 - 2). Remove wire twist-ties from paper or plastic bag before placing bag in oven.
 - 3). If material inside of the oven ignite, keep oven door closed, turn oven off, and disconnect the power cord, or shut off power at the fuse or circuit breaker panel.
 - 4). Do not use the cavity for storage purposes. Do not leave paper products, cooking utensils, or food in the cavity when not in use.

17. Liquids, such as water, coffee, or tea are able to be overheated beyond the boiling point without appearing to be boiling. Visible bubbling or boiling when the container is removed from the microwave oven is not always present.
THIS COULD RESULT IN VERY HOT LIQUID SUDDENLY BOILING OVER WHEN THE CONTAINER IS DISTURBED OR A UTENSIL IS INSERTED INTO THE LIQUID.
To reduce the risk of injury to persons:
 - 1) Do not overheat the liquid.
 - 2) Stir the liquid both before and halfway through heating it.
 - 3) Do not use straight-sided containers with narrow necks.
 - 4) After heating, allow the container to stand in the microwave oven for a short time before removing the container.
 - 5) Use extreme care when inserting a spoon or other utensil into the container.
18. Oversized food or oversized metal utensils should not be inserted in a microwave/toaster oven as they may create a fire or risk of electric shock.
19. Do not clean with metal scouring pads. Pieces can burn off the pad and touch electrical parts involving a risk of electric shock.
20. Do not use paper products when appliance is operated in the toaster mode.
21. Do not store any materials, other than manufacturer's recommended accessories, in this oven when not in use.
22. Do not cover racks or any other part of the oven with metal foil. This will cause overheating of the oven.

SAVE THESE INSTRUCTIONS

GROUNDING INSTRUCTIONS

This appliance must be grounded. In the event of an electrical short circuit, grounding reduces the risk of electric shock by providing an escape wire for the electric current. This appliance is equipped with a cord having a grounding wire with a grounding plug. The plug must be plugged into an outlet that is properly installed and grounded.

WARNING - Improper use of the grounding can result in a risk of electric shock. Consult a qualified electrician or serviceman if the grounding instructions are not completely understood, or if doubt exists as to whether the appliance is properly grounded. If it is necessary to use an extension cord, use only a 3-wire extension cord that has a 3-blade grounded plug, and 3-slot receptacle that will accept the plug on the appliance. The marked rating of the extension cord shall be equal to or greater than the electrical rating of the appliance.

DANGER - Electric Shock Hazard

Touching some of the internal components can cause serious personal injury or death. Do not disassemble this appliance.

WARNING - Electric Shock Hazard

Improper use of the grounding can result in electric shock. Do not plug into an outlet until appliance is properly installed and grounded.

1. A short power-supply cord is provided to reduce the risks resulting from becoming entangled in or tripping over a longer cord.
2. Longer cord sets or extension cords are available and may be used if care is exercised in their use.
3. If a long cord or extension cord is used:
 - 1) The marked electrical rating of the cord set or extension cord should be at least as great as the electrical rating of the appliance.
 - 2) The extension cord must be a grounding-type 3-wire cord.
 - 3) The longer cord should be arranged so that it will not drape over the counter top or tabletop where it can be pulled on by children or tripped over unintentionally.

RADIO INTERFERENCE

1. Operation of the microwave oven may cause interference to your radio, TV or similar equipment.
2. When there is interference, it may be reduced or eliminated by taking the following measures:
 - 1) Clean door and sealing surface of the oven
 - 2) Reorient the receiving antenna of radio or television.
 - 3) Relocate the microwave oven with respect to the receiver.
 - 4) Move the microwave oven away from the receiver.
 - 5) Plug the microwave oven into a different outlet so that microwave oven and receiver are on different branch circuits.

This device complies with part 18 of the FCC Rules.

UTENSILS

CAUTION - Personal Injury Hazard

Tightly-closed utensils could explode. Closed containers should be opened and plastic pouches should be pierced before cooking.

See the instructions on "Materials you can use in microwave oven or to be avoided in microwave oven."

There may be certain non-metallic utensils that are not safe to use for microwaving. If in doubt, you can test the utensil in question following the procedure below

.

Utensil Test:

1. Fill a microwave-safe container with 1 cup of cold water (250ml) along with the utensil in question.
2. Cook on maximum power for 1 minute.
3. Carefully feel the utensil. If the empty utensil is warm, do not use it for microwave cooking.
4. Do not exceed 1 minute cooking time.

Materials you can use in microwave oven

Utensils	Remarks
Browning dish	Follow manufacturer's instructions. The bottom of browning dish must be at least 3/16 inch (5mm) above the turntable. Incorrect usage may cause the turntable to break.
Dinnerware	Microwave-safe only. Follow manufacturer's instructions. Do not use cracked or chipped dishes.
Glass jars	Always remove lid. Use only to heat food until just warm. Most glass jars are not heat resistant and may break.
Glassware	Heat-resistant oven glassware only. Make sure there is no metallic trim. Do not use cracked or chipped dishes.
Oven cooking bags	Follow manufacturer's instructions. Do not close with metal tie. Make slits to allow steam to escape.
Paper plates and cups	Use for short-term cooking/warming only. Do not leave oven unattended while cooking.
Paper towels	Use to cover food for reheating and absorbing fat. Use with supervision for a short-term cooking only.
Parchment paper	Use as a cover to prevent splattering or a wrap for steaming.
Plastic	Microwave-safe only. Follow the manufacturer's instructions. Should be labeled "Microwave Safe". Some plastic containers soften, as the food inside gets hot. "Boiling bags" and tightly closed plastic bags should be slit, pierced or vented as directed by package.
Plastic wrap	Microwave-safe only. Use to cover food during cooking to retain moisture. Do not allow plastic wrap to touch food.
Thermometers	Microwave-safe only (meat and candy thermometers).
Wax paper	Use as a cover to prevent splattering and retain moisture.

Materials to be avoided in microwave oven

Utensils	Remarks
Aluminum tray	May cause arcing. Transfer food into microwave-safe dish.
Food carton with metal handle	May cause arcing. Transfer food into microwave-safe dish.
Metal or metal-trimmed utensils	Metal shields the food from microwave energy. Metal trim may cause arcing.
Metal twist ties	May cause arcing and could cause a fire in the oven.
Paper bags	May cause a fire in the oven.
Plastic foam	Plastic foam may melt or contaminate the liquid inside when exposed to high temperature.
Wood	Wood will dry out when used in the microwave oven and may split or crack.

NAMES OF OVEN PARTS AND ACCESSORIES

(In case of any differences between the appliance and the pictures in this manual, the product shall prevail.)

Remove the oven and all materials from the carton and oven cavity.
Your oven comes with the following accessories:



Glass Tray
(you should secure the glass tray during driving)



Turntable Ring Assembly



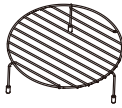
Instruction Manual



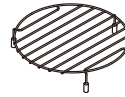
Turntable Shaft



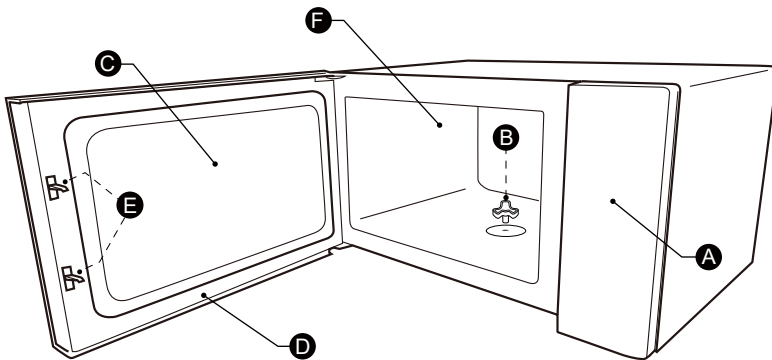
Bake Tray (Cannot be used in conjunction with microwave function and can be placed on the wire rack)



Higher Wire Rack(For grilling, e.g. steaks, sausages and for toasting bread.As a support for shallow dishes.)



Lower Wire Rack(For the microwave and for baking and roasting in the oven.)



A) Control panel

B) Turntable shaft

C) Observation window

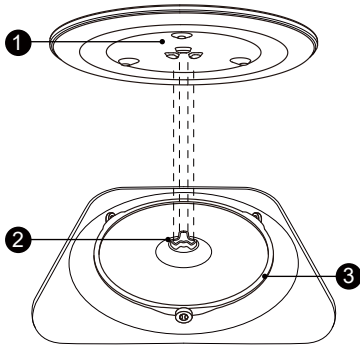
D) Door assembly

E) Safety interlock system

F) Oven cavity

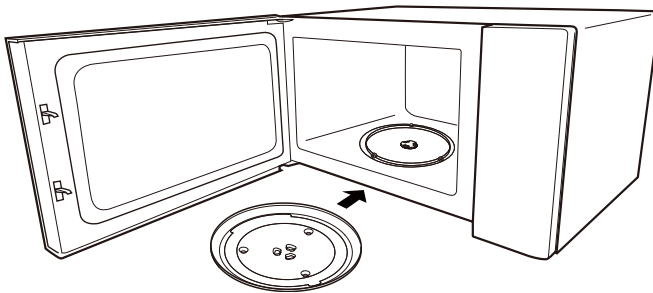
TURNTABLE INSTALLATION

Cleaning the cooking compartment and putting the turntable in place. For new installations, make sure all packaging and shipping tape has been removed from the turntable shaft. Before using the appliance to prepare food for the first time, you will need to put the turntable in place correctly. You must clean the cooking compartment and accessories.



How to put the turntable in place:

1. Place the turntable ring assembly (3) into the recess in the cooking compartment.
2. Place the glass tray (1) on the turntable ring assembly (3). Fit the raised, curved lines in the center of the glass tray bottom between the three spokes of the shaft. Make sure that the glass tray (1) engages in the turntable shaft (2) in the centre of the cooking compartment floor. The rollers on the shaft should fit inside the turntable bottom ridge.



Note:

1. Never use the appliance without the turntable. Make sure that it is properly engaged. The turntable can turn clockwise or anti-clockwise.
2. Never place the glass tray upside down. The glass tray should never be restricted.
3. Both glass tray and turntable ring assembly must always be used during cooking.
4. All food and containers of food are always placed on the glass tray for cooking.
5. Never restrict the movement of the turntable.
6. If glass tray or turntable ring assembly cracks or breaks, contact your nearest authorized service center.

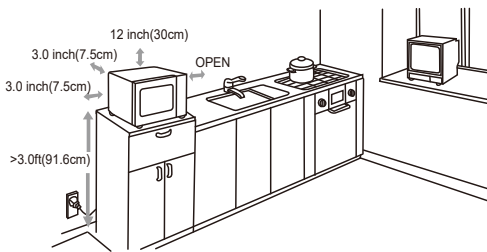
Countertop Installation

Remove all packing material and accessories. Examine the oven for any damage such as dents or broken door. Do not install if oven is damaged.

Cabinet: Remove any protective film found on the microwave oven cabinet surface. Do not remove the waveguide cover that is attached to the oven cavity to protect the magnetron.

Installation

1. Select a level surface that provide enough open space for the intake and/or outlet vents.



A minimum clearance of 3.0 inches (7.5cm) is required between the oven and any adjacent walls. One side must be open. The minimum installation height is 3.0ft(91.6cm).

- (1) Leave a minimum clearance of 12 inches (30cm) above the oven.
- (2) Do not remove the legs from the bottom of the oven.

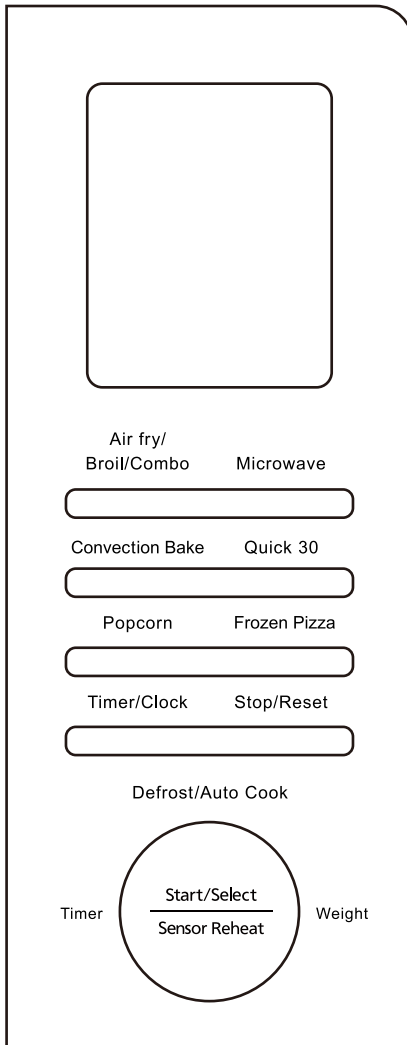
- (3) Blocking the intake and/or outlet openings can damage the oven.
 - (4) Place the oven as far away from radios and TV as possible. Operation of microwave oven may cause interference to your radio or TV reception.
2. Plug your oven into a standard household outlet. Be sure the voltage and the frequency is the same as the voltage and the frequency on the rating label.

WARNING: Do not install oven over a range cooktop or other heat-producing appliance. If installed near or over a heat source, the oven could be damaged and the warranty would be void.

The accessible surface may be hot during operation.



CONTROL PANEL



OPERATION

1. Setting the Clock

After connecting the oven to the power, “ WELCOME TO PANASONIC REFER TO OWNER’S MANUAL BEFORE USE ” shows on the display. The buzzer sounds.

- (1) Press “ Timer/Clock ” twice and then “ SET TIME ” will display.
- (2) Turn the knob to set the hour figures. The time should be within 0-12.
- (3) Press “ $\frac{\text{Start/Select}}{\text{Sensor Reheat}}$ ” to confirm.
- (4) Turn the knob to set the minute figures. The time should be within 0-59.
- (5) Press “ $\frac{\text{Start/Select}}{\text{Sensor Reheat}}$ ” to confirm. The clock is set.

2. Setting the kitchen timer

- (1) Press “ Timer/Clock ” once and then “ TIMER SET TIME ” will display.
- (2) Turn the knob to set the desired time. The maximum time value is “ 90:00 ”.
- (3) Press “ $\frac{\text{Start/Select}}{\text{Sensor Reheat}}$ ” to start counting down.

Note: The kitchen timer is a timer and the “ Clock ” icon will not display on the screen.

3. Microwave Cooking

11 power levels are available.

Power	100%	90%	80%	70%	60%	50%	40%	30%	20%	10%	30%
Display	PL10	PL9	PL8	PL7	PL6	PL5	PL4	PL3	PL2	PL1	Keep Warm

- (1) Press “ Microwave ” once and then “ PL10 SET TIME ” will display.
- (2) Press “ Microwave ” repeatedly to set the power level, “ PL10 ”, “ PL9 ”...“Keep Warm” are available.
- (3) Turn the knob to set the cooking time, the maximum value is “ 90:00 ”.
- (4) Press “ $\frac{\text{Start/Select}}{\text{Sensor Reheat}}$ ” to start cooking.

Note: (1) Opening the oven door or pressing “ Stop/Reset ” during operation will interrupt the current mode.

- (2) In cooking state, each one more press on “ Quick 30 ” can increase the cooking time by 30 seconds.

4. Air fry

- (1) Press “ Airfry/Broil/Combo ” once and then “ 425 F AIRFRY 1 SET TIME ” will display.
- (2) Turn the knob to set the desired time, the maximum value is “ 9 hours ”.
- (3) Press “ $\frac{\text{Start/Select}}{\text{Sensor Reheat}}$ ” to start cooking.

Note: In cooking state, each one more press on “ Quick 30 ” can increase the cooking time by 30 seconds.

Air fry menu

Menu	Display	Temperature
Air fry1	425 F AIRFRY 1 SET TIME	425°F
Air fry2	400 F AIRFRY 2 SET TIME	400°F
Air fry3	375 F AIRFRY 3 SET TIME	375°F

5. Grill

- (1) Press “ Airfry/Broil/Combo ” 4 or 5 times and then “ BROIL1 SET TIME ” “ BROIL2 SET TIME ” will display.
- (2) Turn the knob to set the cooking time. The maximum time value is “ 9 hours ”.
- (3) Press “ $\frac{\text{Start/Select}}{\text{Sensor Reheat}}$ ” to start cooking.

Note: In cooking state, each one more press on “ Quick 30 ” can increase the cooking time by 30 seconds.

6. Combination Cooking

- (1) Press “ Airfry/Broil/Combo ” 6 or 7 times and then “ COMBO1 SET TIME ” or “ COMBO2 SET TIME ” will display in order.
- (2) Turn the knob to set the cooking time. The maximum time value is “ 9 hours ”.
- (3) Press “ $\frac{\text{Start/Select}}{\text{Sensor Reheat}}$ ” to start cooking.

Note: In cooking state, turn the knob or press “ Quick 30 ” can increase the cooking time by 30 seconds.

COMBO1 MODE Microwave+Broil

COMBO2 MODE Microwave+Convection

7. Convection Cooking with Preheat Function

- (1) Press “ Convection Bake ” once and then “ 300°F ” will display.
- (2) Press “ Convection Bake ” repeatedly to set temperature. 14 options are available, including 300, 325, 340, 350, 375, 400, 410, 425, 100, 215, 230, 250, 270,285°F .
- (3) Press “ $\frac{\text{Start/Select}}{\text{Sensor Reheat}}$ ” to confirm the temperature and then will start preheating.
- (4) When preheating is completed, the oven will beep twice. Open the door and place food in the oven.
- (5) Close the oven door.
- (6) Turn the knob to set the cooking time. The maximum time value is “ 9 hours ”.
- (7) Press “ $\frac{\text{Start/Select}}{\text{Sensor Reheat}}$ ” to start cooking.

Note: In cooking state, each one more press on “ Quick 30 ” can increase the cooking time by 30 seconds.

8. Convection Cooking without Preheat Function

- (1) Press “ Convection Bake ” once and then “ 300°F ” will display.
- (2) Press “ Convection Bake ” repeatedly to set temperature. 14 options are available, including 300, 325, 340, 350, 375, 400, 410, 425, 100, 215, 230, 250, 270,285°F .
- (3) Turn the knob to set the cooking time. The maximum time value is “ 9 hours ”.
- (4) Press “ $\frac{\text{Start/Select}}{\text{Sensor Reheat}}$ ” to start cooking.

Note: In cooking state, each one more press on “ Quick 30 ” can increase the cooking time by 30 seconds.

9. Popcorn

(1) In standby mode, press “ Popcorn ” repeatedly to select the desired weight of popcorn you want. “ 3.2Oz ”, “ 3.0Oz ” and “ 1.5Oz ” will display in order.

Example: Press “ Popcorn ” once and then “ 3.2Oz ” display.

(2) Press “ $\frac{\text{Start/Select}}{\text{Sensor Reheat}}$ ” to start cooking.

10. Frozen Pizza

(1) Press “ Frozen Pizza ” repeatedly to select the temperature you want.

“ 425°F ”, “ 400°F ” and “ 375°F ” will display in order.

Example: Press “ Frozen Pizza ” once and then “ 425°F ” displays.

(2) Press “ $\frac{\text{Start/Select}}{\text{Sensor Reheat}}$ ” to start preheating.

(3) When preheating is completed, the oven will beep twice. Open the door and place food in the oven.

(4) Close the oven door.

(5) Turn the knob to set the cooking time. The maximum time value is “ 9 hours ”.

(6) Press “ $\frac{\text{Start/Select}}{\text{Sensor Reheat}}$ ” to start cooking.

Note: In cooking state, each one more press on “ Quick 30 ” can increase the cooking time by 30 seconds.

11. Sensor Reheat

(1) In standby mode, press “ $\frac{\text{Start/Select}}{\text{Sensor Reheat}}$ ” once, “ SENSOR REHEAT ” will display.

(2) Turn the knob to set the cooking time within 10 seconds when the screen displays “ YOU CAN ADJUST COOKING TIME MORE/LESS ”. 10 seconds later, the timer counting down.

3	4	5	6	7	8
STEAM VEGETABLE	FROZEN VEGETABLES	POTATOS	SOUP	RICE	PASTA

12. Speedy cooking

Two operation methods can start speedy cooking.

- (1) In standby mode, press “ Quick 30 ” to cook food with 100% power level for 30 seconds. Each press on the same key can increase 30 seconds and the maximum time value is 30 minutes. Then press “ $\frac{\text{Start/Select}}{\text{Sensor Reheat}}$ ” to start cooking.
- (2) In standby mode, turn the knob left to set a cooking time with 100% power. Continue to turn the knob to adjust the cooking time. Then press “ $\frac{\text{Start/Select}}{\text{Sensor Reheat}}$ ” to start cooking.

13. Multi-Stage Cooking

Notes: (1) Three cooking stages can be set in multi-stage cooking.

- (2) Setting Clock can be used as one of the three cooking stages.
- (3) Auto Menu , Preheat Function, Sensor Reheat cannot be set as one of the multi-stage.

For example, set the 3-stage cooking :

First stage: Microwave cooking with PL10 for 4min20sec.

Second stage: Broil 1 cooking for 15min00sec.

Thrice stage: Microwave cooking with PL3 for 20min00sec.

- (1) In standby mode, press “ Microwave ” once, “ PL 10 SET TIME ” will display.
- (2) Turn the knob to set the cooking time till “ PL 10 4 20 PRESS START ” display.
- (3) Press “ Airfry/Broil/Combo ” 4 times and then “ BROIL1 SET TIME ” display.
- (4) Turn the knob to set the cooking time till “ BROIL1 15 00 PRESS START ” display.
- (5) Press “ Microwave ” 6 times and then “ PL3 SET TIME ” will display.
- (6) Turn the knob to set the cooking time till “ PL 3 20 00 PRESS START ” display.
- (7) Press “ $\frac{\text{Start/Select}}{\text{Sensor Reheat}}$ ” to start cooking.

14. Auto Menu

(1) Turn the knob right for 1~14 menus to choose the menu you need.

14 auto menus are available.

(2) Press “ $\frac{\text{Start/Select}}{\text{Sensor Reheat}}$ ” to confirm.

(3) Turn the knob to set the weight/temperature of food.

(4) Press “ $\frac{\text{Start/Select}}{\text{Sensor Reheat}}$ ” to start cooking.

Notes: (1) During the defrosting, if half of the time has passed, the buzzer will sound to remind you to turn the food over. If no operation, the oven will continue working.

Auto Menu Chart

Menu	Weight(kg)	Display	Power
1 BEVERAGE	1 CUP	1 CUP	PL10
	2 CUPS	2 CUPS	
2 DEFROST	0.1-3kg	0.1-3kg	PL3/PL7/PL10
9 BUTTER	0.05kg	0.05kg	PL5
	0.10kg	0.10kg	
	0.15kg	0.15kg	
	0.20kg	0.20kg	
	0.25kg	0.25kg	
	0.30kg	0.30kg	
10 CHOCOLATE	0.05kg	0.05kg	PL5
	0.10kg	0.10kg	
	0.15kg	0.15kg	
	0.20kg	0.20kg	
	0.25kg	0.25kg	
	0.30kg	0.30kg	

Menu	Weight(kg)	Display	Power
11 FROZEN CHICKEN WINGS	0.225kg	0.225kg	Con 425 °F
	0.45kg	0.45kg	
12 TOAST-BAGLE	2	2 HALVES	Broil 2
	4	4 HALVES	
13 FOOD DRY	100 °F	100 °F	Con 100 °F
	125 °F	125 °F	Con 125 °F
	150 °F	150 °F	Con 150 °F
	175 °F	175 °F	Con 175 °F
	200 °F	200 °F	Con 200 °F
14 AUTO STEAM CLEAN	/	/	PL10/PL0/Timer

15. Lock Function for Children

You can use this function to prevent children from accidentally turning the oven on.

To activate the lock:

In standby mode, press “ Stop/Reset ” 3 times. A long beep sounds and the locked icon will display.

To deactivate the lock:

In locked state, press “ Stop/Reset ” 3 times. A long beep sounds.

16. ECO Function

To enter ECO mode:

In standby mode, press and hold “ Stop/Reset ” for 2 seconds, the screen will turn off.

To cancel ECO mode:

In ECO mode, press and hold “ Stop/Reset ” for 2 seconds, a long beep sounds.

17. Mute Mode

To activate the mute mode:

- (1) Press “ Timer/Clock ” once and then “ TIMER SET TIME ” will display.
- (2) Press “ Timer/Clock ” once again and then “ SET TIME ” will display.
- (3) Press “ Timer/Clock ” twice again to close mute mode.

Note: When you press the keys, it does not make a sound.

To deactivate the mute mode:

- (1) Press “ Timer/Clock ” once and then “ TIMER SET TIME ” will display.
- (2) Press “ Timer/Clock ” once again and then “ SET TIME ” will display.
- (3) Press “ Timer/Clock ” twice again to deactivate the mute mode.

18. Reminding at the end of cooking

At the end of cooking, the buzzer will sound and the screen will display “ENJOY YOUR MEAL”.

At the end of cooking, if the temperature of the cavity more than 250°F, the screen will display “COOL” denoting the oven start cooling until the temperature less than 250°F.

MAINTENANCE

Troubleshooting

Check your problem by using the chart below and try the solutions for each problem. If the microwave oven still does not work properly, contact the nearest authorized service center.

TROUBLE	POSSIBLE CAUSE	POSSIBLE REMEDY
Oven will not start	<ul style="list-style-type: none">a. Electrical cord for oven is not plugged in.b. Door is open.c. Wrong operation is set.	<ul style="list-style-type: none">a. Plug into the outlet.b. Close the door and try again.c. Check instructions.
Arcing or sparking	<ul style="list-style-type: none">a. Materials to be avoided in microwave oven were used.b. The oven is operated when empty.c. Spilled food remains in the cavity.	<ul style="list-style-type: none">a. Use microwave-safe cookware only.b. Do not operate with oven empty.c. Clean cavity with wet towel.
Unevenly cooked foods	<ul style="list-style-type: none">a. Materials to be avoided in microwave oven were used.b. Food is not defrosted completely.c. Cooking time, power level is not suitable.d. Food is not turned or stirred.	<ul style="list-style-type: none">a. Use microwave-safe cookware only.b. Completely defrost food.c. Use correct cooking time, power level.d. Turn or stir food.
Overcooked foods	Cooking time, power level is not suitable.	Use correct cooking time, power level.
Undercooked foods	<ul style="list-style-type: none">a. Materials to be avoided in microwave oven were used.b. Food is not defrosted completely.c. Oven ventilation ports are restricted.d. Cooking time, power level is not suitable.	<ul style="list-style-type: none">a. Use microwave-safe cookware only.b. Completely defrost food.c. Check to see that oven ventilation ports are not restricted.d. Use correct cooking time, power level.
Improper defrosting	<ul style="list-style-type: none">a. Materials to be avoided in microwave oven were used.b. Cooking time, power level is not suitable.c. Food is not turned or stirred.	<ul style="list-style-type: none">a. Use microwave-safe cookware only.b. Use correct cooking time, power level.c. Turn or stir food.