



RuggedMAX™ WiN7200 Small Form Factor Base Station

Installation Guide



Version 1.0 - June 18, 2012

RuggedMAX™ WiN7200 Small Form Factor Base Station: Installation Guide

Copyright © 2012 RuggedCom Inc.

All Rights Reserved

Dissemination or reproduction of this document, or evaluation and communication of its contents, is not authorized except where expressly permitted. Violations are liable for damages. All rights are reserved, particularly for the purposes of patent application or trademark registration.

This document contains proprietary information, which is protected by copyright. All rights are reserved. No part of this document may be photocopied, reproduced or translated to another language without the prior written consent of RuggedCom Inc.

Disclaimer Of Liability

We have checked the contents of this manual against the hardware and software described. However, deviations from the description cannot be completely ruled out.

RuggedCom shall not be liable for any errors or omissions contained herein or for consequential damages in connection with the furnishing, performance, or use of this material.

The information given in this document is reviewed regularly and any necessary corrections will be included in subsequent editions. We appreciate any suggested improvements. We reserve the right to make technical improvements without notice.

Registered Trademarks

ROX™, RuggedRated™, eRSTP™, RuggedBackbone™ and RuggedMAX™ are trademarks of RuggedCom Inc. RuggedRouter® is a registered trademark of RuggedCom Inc. Other designations in this manual might be trademarks whose use by third parties for their own purposes would infringe the rights of the owner.

Linux® is the registered trademark of Linus Torvalds in the U.S. and other countries.

The registered trademark Linux® is used pursuant to a sublicense from LMI, the exclusive licensee of Linus Torvalds, owner of the mark on a world-wide basis.

Warranty

Five (5) years from date of purchase, return to factory. For warranty details, visit www.RuggedCom.com or contact your customer service representative.

Contacting RuggedCom

Corporate Headquarters	US Headquarters	Europe Headquarters
RuggedCom Inc. 300 Applewood Crescent, Concord, Ontario Canada, L4K 5C7 Tel: +1 905 856 5288 Fax: +1 905 856 1995 Toll-free: 1 888 264 0006	RuggedCom 1930 Harrison Street, Suite 209 Hollywood, Florida USA, 33020 Tel: +1 954 922 7938 ext.103 Fax: +1 954 922 7984 Toll-free: 1 888 264 0006	RuggedCom Unit 41, Aztec Centre, Aztec West, Almondsbury, Bristol United Kingdom BS32 4TD Tel: +44 1454 203 404 Fax: +44 1454 203 403
Email: RuggedSales@RuggedCom.com		

Technical Support
Toll Free (North America): 1 866 922 7975 International: +1 905 856 5288 Email: Support@RuggedCom.com

Web: www.RuggedCom.com

Table of Contents

- FCC Statement And Cautions 7
- 1. About This Guide 8
 - 1.1. Safety Information 8
 - 1.1.1. General 8
 - 1.1.2. Equipment Installation 8
 - 1.1.3. Radio Frequency (RF) Exposure 8
 - 1.1.4. Lightning Protection 8
 - 1.1.5. Power Cord Protection 9
 - 1.1.6. Servicing 9
 - 1.1.7. Antenna Grounding Requirements 9
 - 1.1.8. Outdoor Grounding System 9
 - 1.1.9. Safety Hazards 9
- 2. Introduction 11
 - 2.1. About the RuggedMAX™ WiN7200 Small Form Factor Base Station 11
 - 2.2. Capabilities and Features 12
 - 2.3. System Architecture 12
 - 2.4. Interfaces 13
 - 2.4.1. Bottom Panel 13
 - 2.4.2. Top Panel 14
- 3. Site and Installation Requirements 15
 - 3.1. WiN7200 Small Form Factor Base Station Installation Location 15
 - 3.1.1. Criteria for Outdoor Locations 15
 - 3.1.2. Criteria for Indoor Locations 15
 - 3.1.3. External GPS Antenna Installation Location 15
 - 3.1.4. Antenna Grounding Requirements 15
- 4. Installation Procedures 16
 - 4.1. Pre-Installation Safety Instructions 16
 - 4.2. Package Components and Unpacking 16
 - 4.3. Required Tools and Materials 16
 - 4.4. Installing the Base Station 16
 - 4.4.1. Cover the Console Port 17
 - 4.4.2. Assemble the PoE Connector 17
 - 4.4.3. Attaching the Mounting Bracket 20
 - 4.4.4. Mounting the Base Station: Wall Mount 21
 - 4.4.5. Mounting the Base Station: Pole Mount 22
 - 4.4.6. Antenna Connections 24
 - 4.4.7. Connecting the Base Station Data Adaptor 24
 - 4.4.8. Weatherproofing 25
 - 4.5. Hazardous Location Installation 26
- 5. Setup 28
 - 5.1. Connecting to the WiN7200 Small Form Factor Base Station Web Interface 28
- 6. Troubleshooting 30
 - 6.1. No IP connectivity 30
 - 6.2. No Serial Connection 30
- A. List of Acronyms 31
- B. WiN7200 Small Form Factor Base Station Specifications 32

- C. IDU to ODU Cable Specifications 34
- D. Console Connector Specifications 36
- E. WiN7200 Small Form Factor Base Station Base Station Mechanical Drawing 37
- F. Warranty 38

List of Figures

2.1. WiN7200 Small Form Factor Base Station	11
2.2. Power Over Ethernet Block Diagram	12
2.3. WiN7200 Small Form Factor Base Station Interface Panel	13
2.4. WiN7200 Small Form Factor Base Station Top Panel GPS Antenna	14
4.1. Installing PoE/Ethernet Connector Parts on the Ethernet cable	17
4.2. Preparing the Ethernet cable	18
4.3. View of stripped Ethernet cable	18
4.4. Ethernet Cable Pinout	18
4.5. Inserting the cable into the plug	19
4.6. Inserting the plug into the plug housing	19
4.7. Securing the plug housing	19
4.8. PoE connector secured to base station	20
4.9. Wall Mounting Bracket	20
4.10. Attaching the Mounting Bracket	21
4.11. Base Station and Wall Mounting Bracket: Rear View	22
4.12. Base Station and Pole Mounting Bracket	23
4.13. Base Station Pole Mounting: Rear View	24
4.14. Base Station Connectors wrapped with Splicing and Electrical Tape	26
4.15. Connection Scheme	27
4.16. Complete Class 1 Division 2 Installation Kit	27
5.1. Microsoft Windows Local Area Connection Properties dialog box	28
5.2. Microsoft Windows Internet Protocol (TCP/IP) Properties dialog box	29
5.3. WiN7200 Small Form Factor Base Station Web Interface: General Status page	29
E.1. WiN7200 Small Form Factor Base Station Base Station Mechanical Drawing	37

List of Tables

2.1. WiN7200 Small Form Factor Base Station Interface Connectors	13
4.1. ODU/IF Port Pinout	18
4.2. Data Adaptor LED Indicators	25
A.1. List of Acronyms	31
C.1. IDU to ODU Cable Description	34
C.2. IDU to ODU Cable Design and Materials	34
C.3. IDU to ODU Cable Standards	34
C.4. IDU to ODU Cable Performance	35
D.1. Console Connector Pinout	36

FCC Statement And Cautions

Federal Communications Commission Radio Frequency Interference Statement

This equipment has been tested and found to comply with the limits for a Class A digital device pursuant to Part 15 of the FCC Rules. These limits are designed to provide reasonable protection against harmful interference when the equipment is operated in a commercial environment. This equipment generates, uses and can radiate radio frequency energy and, if not installed and used in accordance with the instruction manual, may cause harmful interference to radio communications. Operation of this equipment in a residential area is likely to cause harmful interference in which case the user will be required to correct the interference at his own expense.

**Caution: Service**

This product contains no user-serviceable parts. Attempted service by unauthorized personnel shall render all warranties null and void.

Changes or modifications not expressly approved by RuggedCom Inc. could invalidate specifications, test results, and agency approvals, and void the user's authority to operate the equipment.

Should this device require service, refer to [Appendix F, Warranty](#) in this guide.

**Caution: Physical Access**

This product should be installed in a restricted access location where access can only be gained by service personnel or users who have been instructed about the reasons for the restrictions applied to the location and about any precautions that shall be taken; and access is through the use of a tool or lock and key, or other means of security, and is controlled by the authority responsible for the location.

1. About This Guide

This user guide provides essential product functionality with all the information necessary to professionally install and configure the RuggedMAX™ WiN7200 Small Form Factor Base Station.

This guide is intended for experienced technicians and operators. It is assumed that the customers installing, operating and maintaining this product are familiar with WiMAX technologies and procedures.

While some safety precautions are reviewed here, this manual assumes that installers have been trained in safe installation practises. Users who are new to WiMAX technologies and service procedures should not rely on this manual for comprehensive guidance.

1.1. Safety Information

1.1.1. General

- Read this User Manual and follow all operating and safety instructions.
- The base station and antenna must be installed by a professional installer.
- The power requirements are indicated on the product-marking label. Do not exceed the described limits.

1.1.2. Equipment Installation

The equipment should be installed in accordance with the National Electrical Code (NEC), ANSI/NFPA 70, the Canadian Electrical Code (CEC), Part 1, CSA C22.1; and when applicable, the National Electrical Safety Code IEEE C2. Unless marked or otherwise identified, the Standard for the Protection of Electronic Computer/Data Processing Equipment, ANSI/NFPA 75, also applies.

1.1.3. Radio Frequency (RF) Exposure

The WiN7200 Small Form Factor Base Station is compliant with the requirements set forth in CFR 47 section 1.1307, addressing Radio Frequency (RF) exposure from radio frequency devices as defined in OET Bulletin 65.

For WiN7249/WiN7258, keep distance of more than 38 cm from humans.

All other models should be positioned more than 20cm from humans.

1.1.4. Lightning Protection



When the WiN7200 Small Form Factor Base Station unit is installed in an outdoor location, all indoor components (Ethernet, power supply) should be connected through a lightning protector.

Lightning protection protects people and equipment located indoors from lightning that might strike the WiN7200 Small Form Factor Base Station unit or its outdoor cables. Therefore, the lightning protector device should be installed indoors, as close as possible to the point where the cables enter the building. The lightning protector can also be installed outdoors, as long as the cables that go from it indoors are well protected from lightning between the box and the building entrance.

1.1.5. Power Cord Protection

The Win7200 should always be connected to the supplied data adaptor for both power supply and data transfer purposes.

Any other type of connection/application of the Win7200 Small Form Factor Base Station and/or supplied data adaptor is not allowed.

Route all power supply cords so that people cannot walk on them or place objects on or against them. This can pinch or damage the cords.

1.1.6. Servicing

Do not open the cover of this product and attempt service unless instructed by a RuggedMAX™ certified technician. Refer all repairs to qualified service personnel. Removing the covers or modifying any part of this device voids its warranty. RuggedCom does not endorse or support the use of proprietary third-party outdoor cable assemblies not supplied by RuggedCom .



Keep away from electric power lines.

Carefully read and follow all instructions in this manual. By nature of the installation, you may be exposed to hazardous environments and high voltage. Use caution when installing the outdoor system.

1.1.7. Antenna Grounding Requirements

Verify that the antenna or cable system is grounded (earthed).

The antenna installation must be as per Article 810 of the NEC. Of particular note is the requirement that the grounding conductor not be less than 10 AWG (Cu). The scheme should be either in accordance with UL 96 and 96A. Lightning Protection Components and Installation Requirements for Lightning Protection Systems, or tested in accordance with UL 50 and UL 497.

1.1.8. Outdoor Grounding System



Verify that the base station is grounded.

The system must be properly grounded to protect against power surges and accumulated static electricity. It is the installer's responsibility to install this device in accordance with the local electrical codes.

1.1.9. Safety Hazards



- *Installing the Win7200 Small Form Factor Base Station can pose a serious hazard. Be sure to take precautions to avoid the following:*
- *Exposure to high voltage lines during installation*
- *Falling when working at heights or with ladders*
- *Injuries from dropping tools*
- *Contact with AC wiring (power system connection)*

1. About This Guide



To reduce the risk of fire, only use a No. 24AWG or larger telecommunication line cord between the indoor and outdoor units.

2. Introduction

2.1. About the RuggedMAX™ WiN7200 Small Form Factor Base Station

The RuggedMAX™ WiN7200 Small Form Factor Base Station is a member of the RuggedMAX family, a line of mobile WiMAX broadband wireless access systems based on the 802.16e mobile WiMAX standard. RuggedMAX™ systems are designed for robustness and simplicity, offering feature-rich services with low deployment and operation costs, for unmatched operator competitiveness and fast return on investment.

The WiN7200 Small Form Factor Base Station is a single sector station that enhances outdoor and indoor WiMAX coverage and capacity. The unit is easily installable by one person, is powered by Power over Ethernet (PoE), and supports remote management. The WiN7200 Small Form Factor Base Station is supported by RuggedCom's RuggedNMS™ Network Management System software.

Available in 2.XGHz and 3.XGHz frequency ranges, the WiN7200 Small Form Factor Base Station provides full base station functionality for serving a single sector. The WiN7200 Small Form Factor Base Station communicates with fixed and mobile subscriber units according to defined service criteria and customer Service Level Agreements (SLA). The WiN7200 Small Form Factor Base Station also supports end-to-end Quality of Service (QoS) requirements.

The WiN7200 Small Form Factor Base Station features a small footprint and flexible mounting options, allowing it to be easily mounted by one person on poles, street lamps, or walls.



Figure 2.1. WiN7200 Small Form Factor Base Station

2.2. Capabilities and Features

- All-outdoor, one-box base station solution.
- GPS synchronization.
- MIMO (2×2) support.
- Non-Line-of-Sight (NLOS).
- Small footprint and light weight enables simple installation and deployment by a single person.
- IEEE802.16e Wave2 Standard Compliance.
- Backbone Ethernet connectivity via a 10/100 Base-T network interface.
- Fixed and mobile CPE support.
- 3.5 MHz, 5MHz, 7MHz and 10MHz channel bandwidth support.
- Different RF options including 2.x, 3.x GHz band support.
- Traffic classification and connection establishment initiation.
- Policy-based data switching.
- Quality of Service (QoS) management.
- Alarms management.
- An SNMP agent incorporated into the unit enables extensive In-Band (IB) management of the base station and all its registered CPEs.
- An R6 interface to ASN-GW profile C.

2.3. System Architecture

The WiN7200 Small Form Factor Base Station unit receives power and data over PoE.

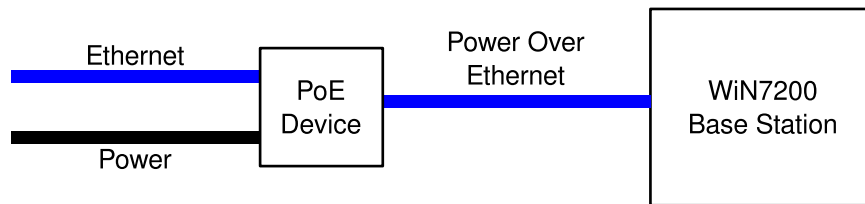


Figure 2.2. Power Over Ethernet Block Diagram

2.4. Interfaces

Install the unit vertically, with the integrated GPS antenna located on the top panel (facing the sky). All other connections, including the optional GPS external antenna connections are located on the bottom panel.

2.4.1. Bottom Panel

The interface panel supports the antenna, power and Ethernet connections.



Figure 2.3. WiN7200 Small Form Factor Base Station Interface Panel

The following table provides a description of the base station bottom panel connectors and ports.

Connector Name	Connector Type	Cable Type	Function	Connected to
ANT1	N typeFemale	RG 214/U	RF antenna connection	External antenna or screwed-on omni-directional antenna
CONSOLE	RJ45	Cat5 ETH	Low level CLI for technical personnel. RS-232	Computer
DC/ETH	RJ45	Cat5 ETH	DC 1.5A + Ethernet Cat5	PoE data adaptor
GND	1 screwETSI	#10 AWG bare copper wire	Grounding lug. #10 AWG bare copper wire	Central earth ground, tower or pole chassis
GPS (optional)	TNCFemale	RG-59	Base Station Synchronization	External GPS antenna
ANT2	N typeFemale	RG 214/U	RF antenna connection	External antenna or screwed-on omni-directional antenna

Table 2.1. WiN7200 Small Form Factor Base Station Interface Connectors

2.4.2. Top Panel

The top panel supports the built-in GPS antenna. (An external GPS antenna can be connected to the bottom panel GPS connector). See [Section 3.1.3, “External GPS Antenna Installation Location”](#) for more information on GPS antennae and installation criteria.

The figure below shows the base station mounted on a pole.

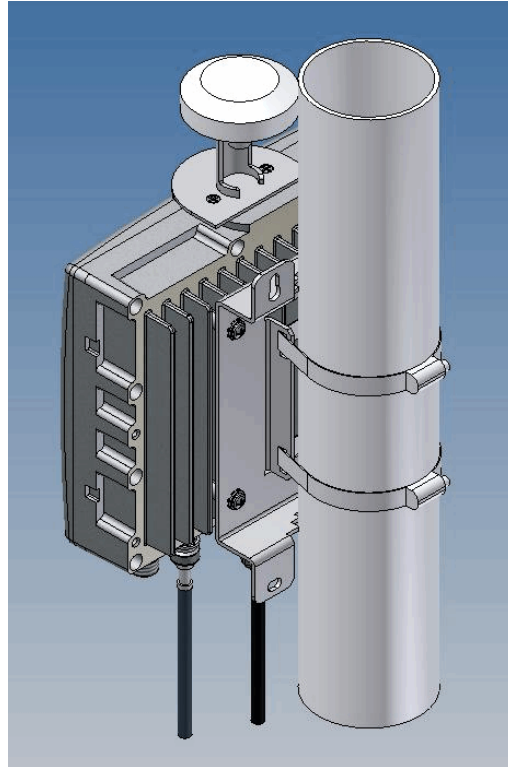


Figure 2.4. WIN7200 Small Form Factor Base Station Top Panel GPS Antenna

3. Site and Installation Requirements

3.1. WiN7200 Small Form Factor Base Station Installation Location



The WiN7200 Small Form Factor Base Station unit must always be installed vertically and top#down – with the connectors on the underside for protection.

This section describes the criteria that should be considered when selecting the WiN7200 Small Form Factor Base Station installation location.

3.1.1. Criteria for Outdoor Locations

Take into account your site plan and local regulations that define distance from populated areas. Follow these guidelines:

- The unit should be mounted at the highest possible point. Reception will increase according to the height of the antennae.
- There should be few obstacles between the antenna and the planned coverage area (zone) – minimum of 55% exposure to the sky.
- Take into account (according to your coverage site plan) the distance from other antennae or devices that may cause interferences.
- The unit should be accessible for maintenance (where possible).

3.1.2. Criteria for Indoor Locations

- A minimum of 55% direct Line-of-Sight (LOS) exposure of the external GPS antenna to sky.
- The maximum distance from the external GPS antenna to the WiN7200 Small Form Factor Base Station should be 22 meters.

3.1.3. External GPS Antenna Installation Location

The following criteria should be considered when selecting the GPS antenna installation site location to determine the optimal position for the antenna:

- Antenna visibility - The GPS antenna should be mounted in a position where at least 55% of the antenna area is exposed to the sky.
- The distance from the GPS antenna to the base station should not exceed the maximum distance of 22 meters. Otherwise, the length of the GPS antenna cable will cause interferences.

3.1.4. Antenna Grounding Requirements

The antenna installation must be as per Article 810 of the NEC. Of particular note is the requirement that the grounding conductor be not less than 10 AWG (Cu). The scheme should either correspond to UL 96 and 96A. Lightning Protection Components and Installation Requirements for Lightning Protection Systems, or tested in accordance to UL 50 and UL 497.

4. Installation Procedures

4.1. Pre-Installation Safety Instructions



Before installing the base station, review the following safety hazards:

- *Installing the base station can pose a serious hazard. Be sure to take precautions to avoid the following:*
- *Exposure to high voltage lines during installation*
- *Falling when working at heights or with ladders*
- *Injuries from dropping tools*
- *Contact with AC wiring (power system connection)*

4.2. Package Components and Unpacking

Upon receiving the unit, perform the following:

Procedure 4.1. Unpacking the Base Station

1. Examine the shipping container for damage before unpacking the unit.
2. Perform a visual inspection to reveal any physical damage to the equipment.
3. Verify that all of the equipment (listed below) is included. Otherwise contact RuggedCom.

The base station is shipped with the following equipment:

- The base station unit.
- GPS antenna
- AC power supply
- 2×RF cables 1.6 m for connection to antenna
- Pole / wall mount kit

4.3. Required Tools and Materials

To install the base station, a standard professional toolbox is required.

When wall-mounting the base station, use wall anchors (not supplied) suitable for the wall material.

4.4. Installing the Base Station



The unit should be installed at the highest possible point!



The equipment should be installed in compliance with the National Electrical Code (NEC), ANSI/NFPA 70, the Canadian Electrical Code (CEC), Part 1, CSA C22.1; and when applicable, the National Electrical Safety Code IEEE C2. Unless marked or otherwise identified, the Standard for the Protection of Electronic Computer/Data Processing Equipment, ANSI/NFPA 75.

There are two types of installations:

- **Wall mount:** The base station can be attached to any wall that can support the load of the unit.
- **Pole mount:** The base station can be attached to any pipe or pole with a diameter of 1.75" to 10".

To install the base station, follow these steps:

1. Cover the Console port (only used for maintenance purposes by authorized personnel). See [Section 4.4.1, "Cover the Console Port"](#).
2. Assemble the PoE connector. See [Section 4.4.2, "Assemble the PoE Connector"](#).
3. Assemble the base station mounting bracket. See [Section 4.4.3, "Attaching the Mounting Bracket"](#).
4. Mount the base station to a wall or pole. See [Section 4.4.4, "Mounting the Base Station: Wall Mount"](#) and [Section 4.4.5, "Mounting the Base Station: Pole Mount"](#).
5. Complete the antenna connections and grounding. See [Section 4.4.6, "Antenna Connections"](#).
6. Connect the base station Data Adaptor. See [Section 4.4.7, "Connecting the Base Station Data Adaptor"](#).
7. Perform the initial base station setup. See [Chapter 5, Setup](#).

4.4.1. Cover the Console Port

The Console port is only used for maintenance operations performed by authorized service personnel. It should be closed with the attached cover in normal conditions.



See [Appendix D, Console Connector Specifications](#) for information on the console cable pinout.

4.4.2. Assemble the PoE Connector

Follow these steps to assemble the The CD/ETH connector for the Power over Ethernet (PoE) connection.

Procedure 4.2. Assembling the PoE CD/ETH Connector

1. Push the connector housing parts of the end of the Ethernet cable.

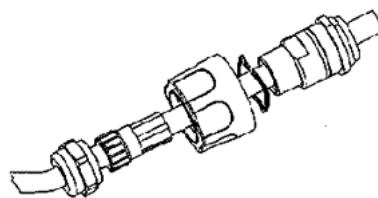


Figure 4.1. Installing PoE/Ethernet Connector Parts on the Ethernet cable

2. Strip a minimum of 18mm of sheathing and pull back the braiding. Remove the inner jacket and foil, leaving 6mm of inner jacket and foil. Fan the pairs into the proper color code. Trim the conductors, leaving 12mm extending from the inner jacket.

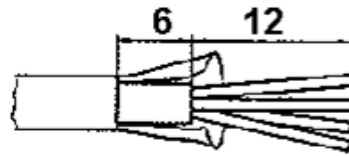


Figure 4.2. Preparing the Ethernet cable

3. Form the braiding into two pigtailed. The stripped cable should look like the figure below.

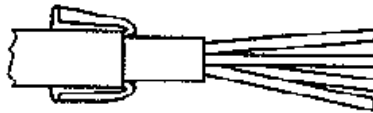


Figure 4.3. View of stripped Ethernet cable

4. Place the modular plug over the wire ends, being sure to maintain the color code. Refer to the following table for the ODU I/F connector pinout.

Pin Number	Description	Label
1	ETH Data	TP0+
2	ETH Data	TP0-
3	ETH Data	TP1+
4	+55V	TP2+
5	+55V	TP2-
6	ETH Data	TP1-
7	RTN (-)	TP3+
8	RTN (-)	TP3-

Table 4.1. ODU/IF Port Pinout

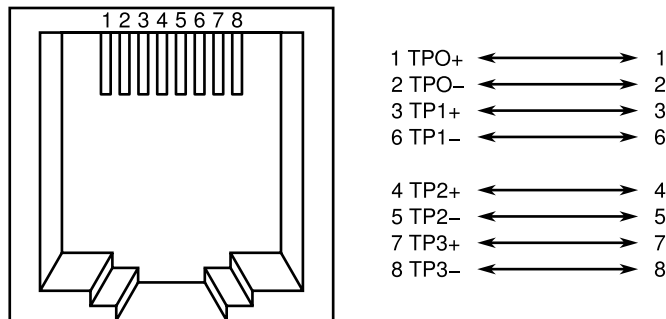


Figure 4.4. Ethernet Cable Pinout

5. Insert the wire, including the inner jacket and foil, all the way into the modular plug. The inner jacket should be directly under the plug's strain tab. Use a standard crimp tool to crimp the plug to the cable. Cut the braid pigtailed as close to the back of the plug as possible.

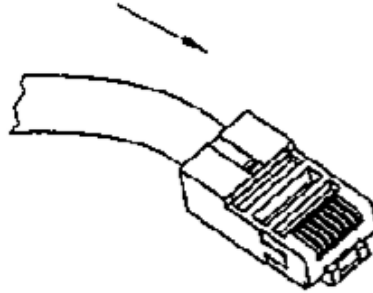


Figure 4.5. Inserting the cable into the plug

6. Slide the plug housing up the cable and align the housing with the modular plug. Insert the modular plug into the plug housing and align the latch with the latch slot. Depress the latch (1) and insert the plug into the plug housing (2).

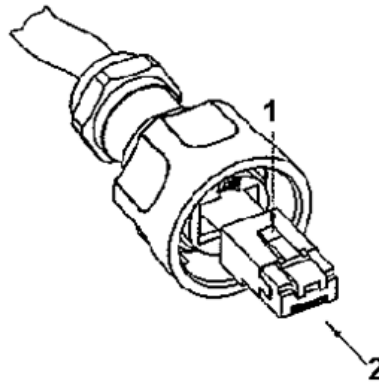


Figure 4.6. Inserting the plug into the plug housing

Press the modular plug into the plug housing until it bottoms out.

7. While maintaining inward pressure on the plug, tighten the compression nut to 0.56Nm (5 inch-pounds).

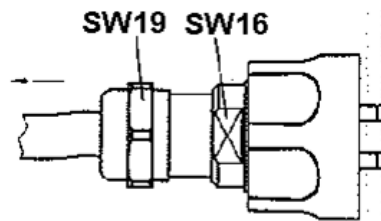


Figure 4.7. Securing the plug housing

8. Secure the PoE cable to the CD/ETH connector on the base station.



Figure 4.8. PoE connector secured to base station

4.4.3. Attaching the Mounting Bracket

Follow these steps to attach the mounting bracket to the base station.

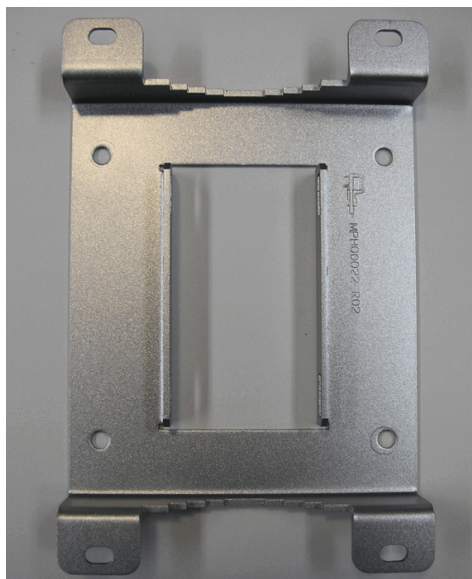


Figure 4.9. Wall Mounting Bracket

Procedure 4.3. Assembling the Base Station and Mounting Bracket

1. Align the mounting bracket's four inner holes with the base station's installation holes, located on the ribbed side of the unit.

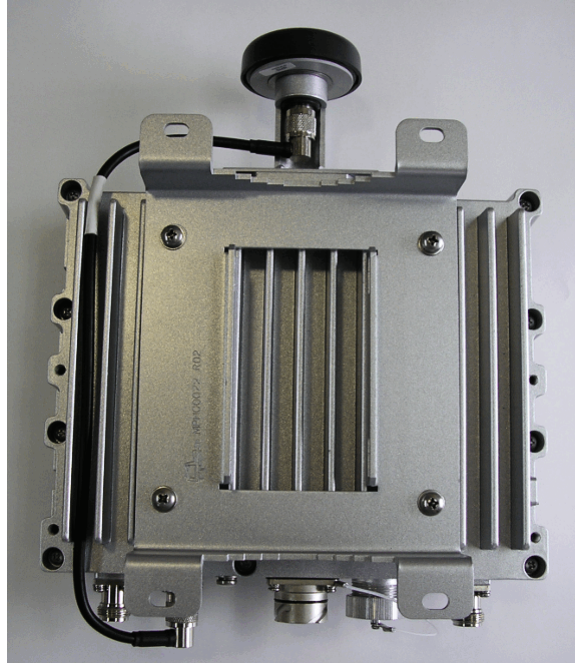


Figure 4.10. Attaching the Mounting Bracket

2. Secure the bracket to the base station unit with the four screws and washers (supplied).

4.4.4. Mounting the Base Station: Wall Mount

The base station can be attached to any wall that can support the load of the unit.



Plan the installation so that the interface connections face down, providing more protection against the elements.

Follow these step to mount the base station on a wall.

Procedure 4.4. Wall-mounting the Base Station

1. Determine the location of the base station mounting bracket. Mark the mounting holes on the wall surface based on the bracket's four outer mounting holes, two at the top and two at the bottom.

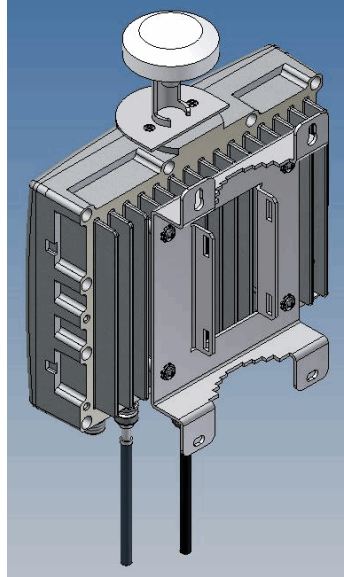


Figure 4.11. Base Station and Wall Mounting Bracket: Rear View

2. Drill four holes in the wall. If required, insert wall anchors (not supplied) in the wall. Align the bracket installation holes with the holes in the wall. Secure with the appropriate screws and washers (not supplied).

4.4.5. Mounting the Base Station: Pole Mount

The unit can be attached to any pipe or pole with a 1.75" to 10" diameter.



Plan the installation so that the interface connections face down, providing more protection against the elements.

Follow these steps to mount the base station on a pole.

Procedure 4.5. Pole-mounting the Base Station

1. Assemble the wall-mounting bracket to the ribbed side of the unit.
2. Insert the metal bands in the bracket slots, as shown below.

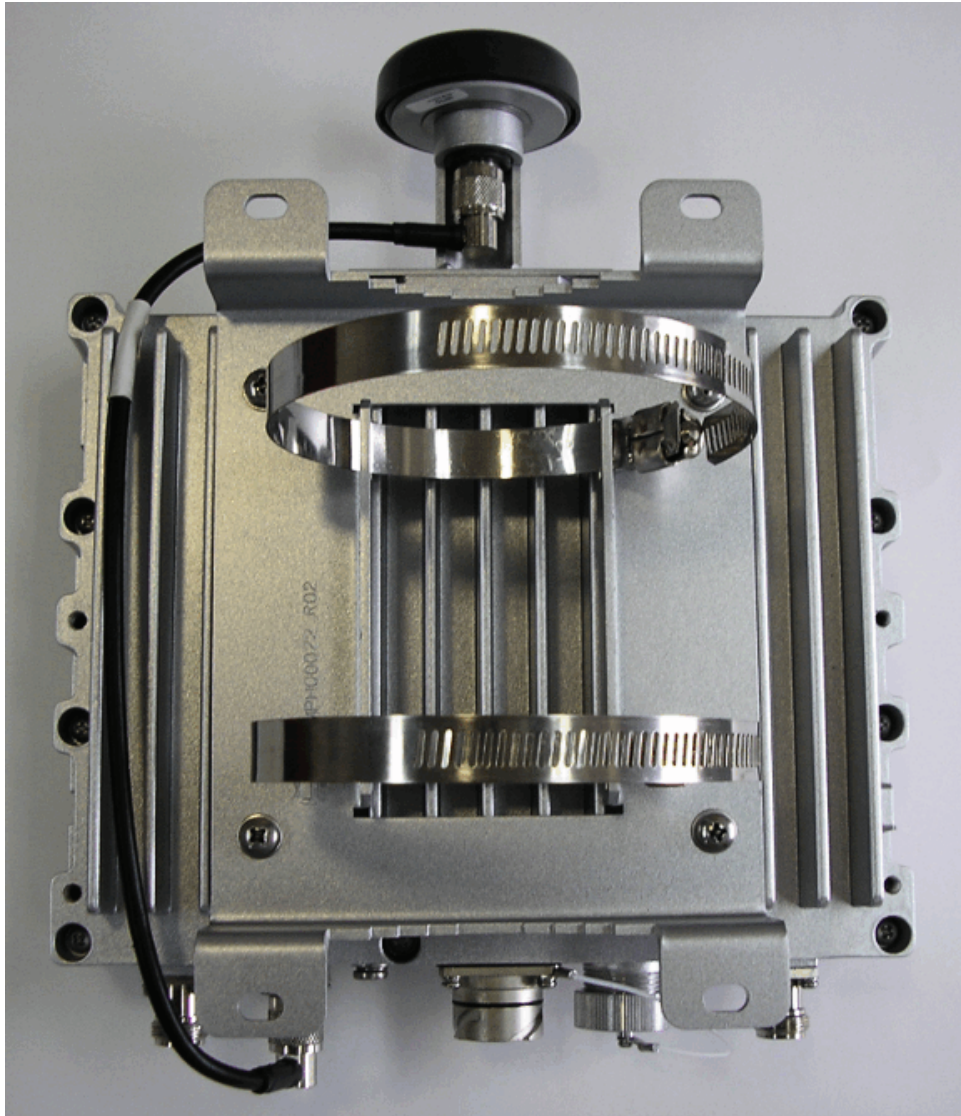


Figure 4.12. Base Station and Pole Mounting Bracket

3. Mount the unit on the pole, using the metal bands. Close the bands tightly around the pole.

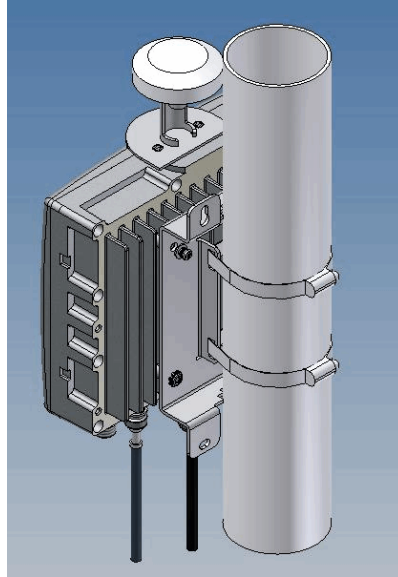


Figure 4.13. Base Station Pole Mounting: Rear View

4.4.6. Antenna Connections



The part of the antenna that is connected to the central pin of the antenna connector should be covered by isolation material which is sufficiently resistant to degradation by ultraviolet (UV) radiation.

4.4.6.1. RF Connections and Grounding



See [Section 3.1.4, “Antenna Grounding Requirements”](#) for antenna grounding requirements.

Connect the antennae to the N-Type ANT1 and ANT2 connectors and connect the grounding lug to the common ground.

4.4.6.2. Optional External GPS Antenna Connections

Remove the cover from the GPS port and connect the external GPS antenna to the port. Refer to the following specifications for the external GPS antenna:

- Cable Type: RG-59
- Cable connectors: TNC
- Cable length: 15m


4.4.7. Connecting the Base Station Data Adaptor

The Data Adaptor is a combined data and power adaptor that interfaces with the customer’s Outdoor Unit wireless device. It is used to power the base station and to distribute data.

The Data Adaptor unit includes a single output RJ-45 connector (for connection to an IEEE802.3 compatible device) that provides bi-directional 10/100 Base-T data and power to the outdoor equipment over a Cat5e cable.

The unit receives power from 100V to 240V AC using an IEC-320-C14 industry standard connector.


For information on the connector pinout, see [Section 4.4.2, “Assemble the PoE Connector”](#).

 *The AC power supply cord should be 3 wires, 18 AWG minimum, with a length of less than 4.5 m, and safety certified according to national rules.*


Follow these steps to connect the base station Data Adaptor.

Procedure 4.6. Connecting the Base Station Data Adaptor

1. Connect the base station CD/ETH port to the Data Adaptor ODU IF port using the cable you assembled earlier. For instructions on assembling the PoE cable, see [Section 4.4.2, “Assemble the PoE Connector”](#).

 *The maximum length of the indoor-to-outdoor CAT5 cable should not exceed 100m.*
The Cat5e Ethernet cable is not included. Refer to [Appendix C, IDU to ODU Cable Specifications](#) for detailed technical specifications.

2. Connect the Data Adaptor to a Switch/Router by connecting the Data Adaptor’s Ethernet port and the Switch/Router 10/100 Base T-port using a Cat5e cable.
3. Connect the Data Adaptor to the 110V/220V AC mains using the supplied cable.

 *Before connecting the data adaptor to the main outlet, verify that all system components are properly installed. Make sure that all cable connectors are securely positioned in the appropriate ports.*

4. Verify that the Data Adaptor LEDs located on the front panel are Green, indicating an OK status.

LED	Color	Description
PWR	Green	Input power is connected
LAN	Green	LAN link/activity display

Table 4.2. Data Adaptor LED Indicators

4.4.8. Weatherproofing

DocBook content at xml:id=" _Weatherproofing_Connectors" is missing from ".../RuggedMAX-WIN7000-Installation-Guide/common/weatherproofing.xml".

[Figure 4.14, “Base Station Connectors wrapped with Splicing and Electrical Tape”](#) shows the base station connectors wrapped with splicing and electrical tape, before the application of mastic or duct sealing putty.



Figure 4.14. Base Station Connectors wrapped with Splicing and Electrical Tape



Assembly without waterproof sealing tape or removing the waterproof sealing tape from this device voids its warranty.

4.5. Hazardous Location Installation

This equipment is suitable for use in Class 1, Division 2, Groups A, B, C, D hazardous locations only when installed using the Class 1, Division 2 installation kit (Ruggedcom P/N MKIT0090).



Explosion Hazard!

- *Do not connect the WIN1010 power supply in hazardous locations.*
- *Do not substitute components.*
- *Do not disconnect equipment unless power has been switched off or the area is considered to be non-hazardous.*
- *Use only the Lambda DPP50-48 power supply with the equipment.*



RISQUE D'EXPLOSION

- *La substitution de composants peut rendre ce matériel inacceptable pour les emplacements de Classe I, Division 2.*
- *Avant de déconnecter l'équipement, couper le courant ou s'assurer que l'emplacement est désigné non dangereux.*
- *Utilisez l'unité uniquement avec une batterie de la marque Lambda DPP50-48.*

Contents of the Class 1, Division 2 Installation Kit:

- Lambda power supply unit (model DPP50-48)
- L-COM passive PoE injector (model BT-CAT5-P1)
- DC cable for connection between the PSU and the PoE injector

To install the equipment in a hazardous location, do the following:

4. Installation Procedures

1. Connect a DC cable between the PSU and PoE injector.

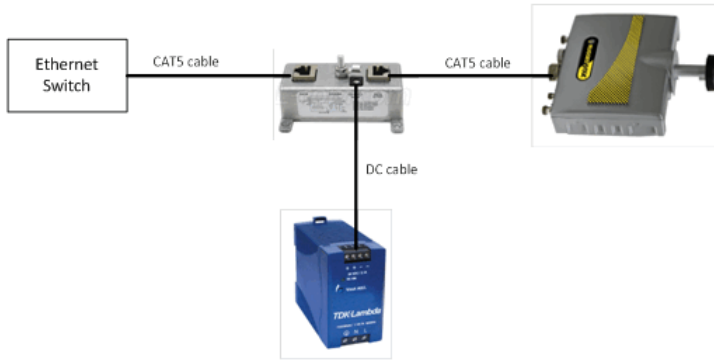


Figure 4.15. Connection Scheme

2. Connect a Category 5e cable between the PoE injector (Data+Power jack) and the pBST.
3. Connect a Category 5e cable between the Ethernet switch and the PoE injector (Data jack).
4. Connect the AC open-ended cable to the PSU.



Figure 4.16. Complete Class 1 Division 2 Installation Kit



Important:

The power supply AC cord should be 3 wires, 18 AWG minimum, with a length of less than 4.5 m, and safety certified according to national rules.

5. Setup

The initial setup procedure consists of:

- Configuring the computer's network parameters and connecting to the WiN7200 Small Form Factor Base Station Web interface
- Verifying IP connectivity

5.1. Connecting to the WiN7200 Small Form Factor Base Station Web Interface

This section describes how to configure the network parameters in Microsoft Windows so you can connect a computer to the WiN7200 Small Form Factor Base Station. For instructions on how to configure the network parameters for other operating systems, refer to your operating system documentation.

Before beginning, ensure that the base station is connected to the Power over Ethernet (PoE) power adaptor and that power is applied.

Follow these steps connect a computer to the WiN7200 Small Form Factor Base Station Web interface:

Procedure 5.1. Connecting a computer to the base station

1. Ensure that the PoE adaptor is connected to the base station. Connect the computer's Ethernet port to the PoE adaptor's Ethernet port.
2. On the computer, click **Start** and select **Control Panel**.
3. In the **Control Panel**, select **Network and Internet Connections**.
4. Select **Network Connections** and then double-click **Local Area Connection**. The **Local Area Connections Properties** dialog appears with the **General** tab selected.

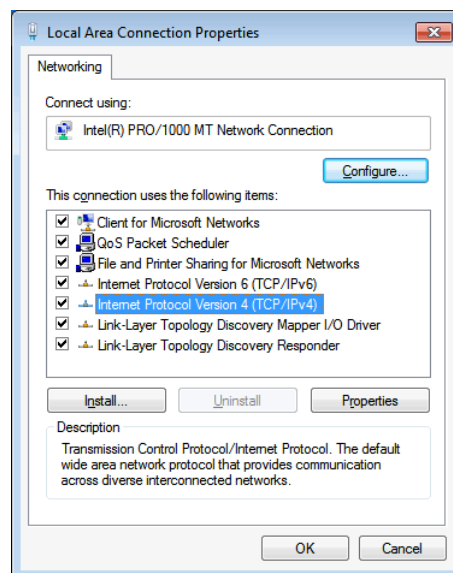


Figure 5.1. Microsoft Windows Local Area Connection Properties dialog box

5. Setup

5. In the **Items** list, select **Internet Protocol (TCP/IP)** and click the **Properties** button. The **Internet Protocol (TCP/IP) Properties** dialog appears.
6. Assign your computer the IP address 192.168.100.99 and the subnet 255.255.255.0.

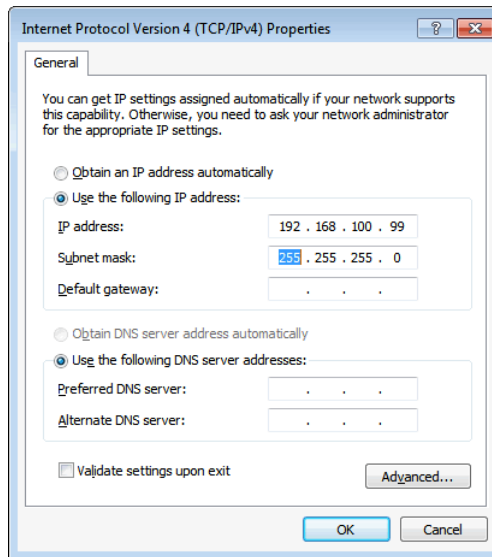


Figure 5.2. Microsoft Windows Internet Protocol (TCP/IP) Properties dialog box

7. On the **Internet Protocol (TCP/IP) Properties** dialog, click **OK**. On the **Local Area Connection Properties** dialog, click **Close**.
8. Launch your web browser and type **https://192.168.100.100** in the address field.



For information on browser versions and compatibility, refer to the release notes for your software version.

9. The **Login** window appears. Enter your user name and password and click **Log In**. The Win7200 Small Form Factor Base Station web interface appears.

BS	
STATUS	OFF
DOWNLINK	0.00 Mb/s
ALARMS	0
REGISTERED	0 MS
UPLINK	0.00 Mb/s
	0
	0

Current Status	
Current Frequency [kHz]	3555000
Current Bandwidth [MHz]	10MHz
Current Preamble Index	0
Current BS IP Address	192.168.10.10
GPS Time	12-Jan-2001 22:16:15.040
Uptime [sec]	286:16:12
Tx Status	Operational

Legend:
* requires service restart
** requires reboot

Figure 5.3. Win7200 Small Form Factor Base Station Web Interface: General Status page

6. Troubleshooting

6.1. No IP connectivity

If there is no IP connectivity between the WiN7200 Small Form Factor Base Station unit and the NMS, perform the following steps:

1. Connect the the computer and the WiN7200 Small Form Factor Base Station Console connector (serial connection), located on the unit's bottom panel.
2. In the terminal, type **showIPAddr** and press **Enter**. The base station's IP address will be displayed.
3. Ping the WiN7200 Small Form Factor Base Station unit address.
4. If connectivity is still not established, contact customer support.

6.2. No Serial Connection

If there is no serial connection when using the serial cable, perform the following:

1. Verify IP connectivity using a ping to the WiN7200 Small Form Factor Base Station unit IP address.
2. If there is no IP connectivity, verify the power connections.
3. If the power connections are okay, however, there is still no serial connection or IP connectivity, contact customer support.

Appendix A. List of Acronyms

Acronym	Description
ASN	Access Service Network
BST	Base Station
CPE	Customer Premise Equipment
FTP	File Transfer Protocol
GW	Gateway
HTTP	Hypertext Transport Protocol
IDU	Indoor Units
IEEE	Institute of Electronic and Electrical Engineers
IP	Internet Protocol
LAN	Local Area Network
LOS	Line-of-Sight
NLOS	Non-Line-of-Sight
NMS	Network Management System
ODU	Outdoor Units
QoS	Quality of Service
RF	Radio Frequency
SLA	Service Level Agreements
SNMP	Simple Network Management Protocol
TCP	Transmission Control Protocol
WiMAX	Worldwide Interoperability for Microwave Access
RuggedMAX™	RuggedMAX™ WiMAX Product Family
RuggedNMS™	RuggedCom® Network Management System

Table A.1. List of Acronyms

Appendix B. WiN7200 Small Form Factor Base Station Specifications

Radio and Modem:

- Frequency:
 - WiN7225: 2483 MHz to 2690 MHz
 - WiN7235: 3400 MHz to 3600 MHz
 - WiN7237: 3600 MHz to 3720 MHz
 - WiN7249: 4940 MHz to 4990 MHz
 - WiN7258: 5725 MHz to 5850 MHz
- IEEE802.16-2005 (16e OFDMA)
- WiMAX Forum Wave 2 Profile
- Time Division Duplex (TDD)
- Channel Bandwidth (MHz) 3.5, 5, 7, 10
- Frequency Resolution 0.25 MHz
- Diversity Support 2x2, STC/MIMO-SM
- FEC Convolution Code and Turbo Code
- Transmit Power Control
- Output Power (average) 2 X 27 dBm
- Modulation 512/1024 FFT points; QPSK, 16QAM, 64QAM

Radio Interfaces:

- Number of Antennas 2
- Antennas Connectors 2 × N-Type, 50 ohm, lightning protected
- Integrated or External Sector or Omni Antenna
- Built-in GPS included

Network Interfaces:

- 10/100BaseT Half / Full Duplex IEEE 802.3 CSMA/CD
- ASN GW Compatibility WiMAX Forum R6, Profile C
- Compatible with Cisco and Wichorus ASN-GW

Configuration and Management:

- Web GUI
- Management SNMP
- SNMP Agent SNMP version 2 client: MIB II
- Software Upgrade FTP
- Remote Configuration FTP

Mechanical:

- Dimensions [H × W × D] 228mm × 257mm × 112mm

- Weight <4kg

Power Interface:

- Power supply Input 85-265 VAC
- Power Consumption 30 W max

Environmental:

- Operating Temperature: -40°C to +65°C
- Operating Humidity 5%-95% non condensing,
- Weather protected

Standards Compliance:

- EMC FCC part 15, subpart B, class B
- ETSI EN 301489-1/4
- Safety TUV-UL 60950-1
- IEC 60950-1
- Environmental ETS 300 019:
- Part 2-1 T 1.2 & part 2-2 T 2.3
- Part 2-4 T 4.1E
- IP66

Immunity

- EN61000-4-2
- EN61000-4-4
- EN61000-4-5
- Radio FCC Part 27
- FCC Part 90
- ETSI EN302 326

Supported Subscriber Units:

- Outdoor unit with integrated antenna
- Indoor unit with integrated Voice over IP
- USB dongle
- Vehicular subscriber unit

Appendix C. IDU to ODU Cable Specifications

Special 4×2×24 AWG FTP Cat. 5e Outdoor Double Jacket Data Cable UL (1581 VW 1)

Applications:	Outdoor installations, fixed or portable installations, digital distribution frames in transmission stations, outdoor installations in harsh environments.
General Construction:	Custom made cable designed specially for wireless systems, meeting the requirements of Cat. 5e per ANSI/TIA/EIA-568-B.2 and IEC 61156-5. The cable contains 4 twisted pairs, cabled, foil-tape shielded and jacketed with two special black UV resistant, flame retardant PVC compounds for direct outdoor use in harsh electrical environments. The diameter of the inner core complies with RJ45 connecting hardware allowing direct connection to equipment without patch cords.
Conductor Size:	0.52mm
Outer Jacket Material:	UV resistant FR-PVC
Outer Diameter:	7.9mm nominal
Weight:	68.0kg/km

Table C.1. IDU to ODU Cable Description

Conductor Material:	Bare copper
Conductor Size:	24 AWG
Insulation Material:	Solid PO
Insulation O.D.:	1.07mm
Color Code:	Per TIA/EIA 568-B
Overall Foil Shield:	Yes
Overall Shield Material:	Aluminum/Polyester Foil
Overall Foil Design:	100% Coverage
Overall Drain-wire Material:	Tinned Copper
Overall Drain-wire Size:	24 AWG
Overall Drain-wire Construction:	Stranded
Inner Jacket Material:	UV resistant FR-PVC
Inner Jacket Diameter:	6.1mm
Total Number of Wires:	8

Table C.2. IDU to ODU Cable Design and Materials

Flammability Rating:	IEC60332, UL1581 VW-1
Standards:	IEC 61156, TIA/EIA-568

Table C.3. IDU to ODU Cable Standards

Appendix C. IDU to ODU Cable Specifications

Frequency Range:	1-100 MHz
Impedance:	100Ω
DC Resistance:	93Ω/km nominal
Max. DC Resistance	95Ω/km@20°C
Capacitance Unbalance:	1.6pF/m max.
Velocity of Propagation:	68% nominal
Propagation Delay Skew:	35 ns/100m max.
Dielectric Strength:	700 V/minute
Dielectric Strength to Shield:	700 V/minute
Min. Bend Radius:	70mm
Max. Operating Temperature:	+70°C
Min. Operating Temperature:	-40°C

Table C.4. IDU to ODU Cable Performance

Appendix D. Console Connector Specifications



The Console connector should be closed in normal conditions and is only intended for the use of an authorized technician.

The chassis has an RJ-45 maintenance female connector, used by a technician to connect a “console”.

The port is used by maintenance personnel to communicate with the processor when the normal management interfaces cannot be used. The console port is based on the RS-232 serial standard and supports a standard terminal connection.

The Console port enables the technician to configure and monitor the WiN7200 Small Form Factor Base Station unit through a CLI (Command Line Interface) for low level debugging.

The following table describes the console connector pinout.

Pin Number	Type
1	TX
2	RX
5	GND

Table D.1. Console Connector Pinout

The serial cable used to connect the WiN7200 Small Form Factor Base Station Console port to the console is supplied by .

- Cable Type: Cat5
- Cable Connectors: DB9F; RJ45
- Cable Length: 2m

Appendix E. WiN7200 Small Form Factor Base Station Base Station Mechanical Drawing

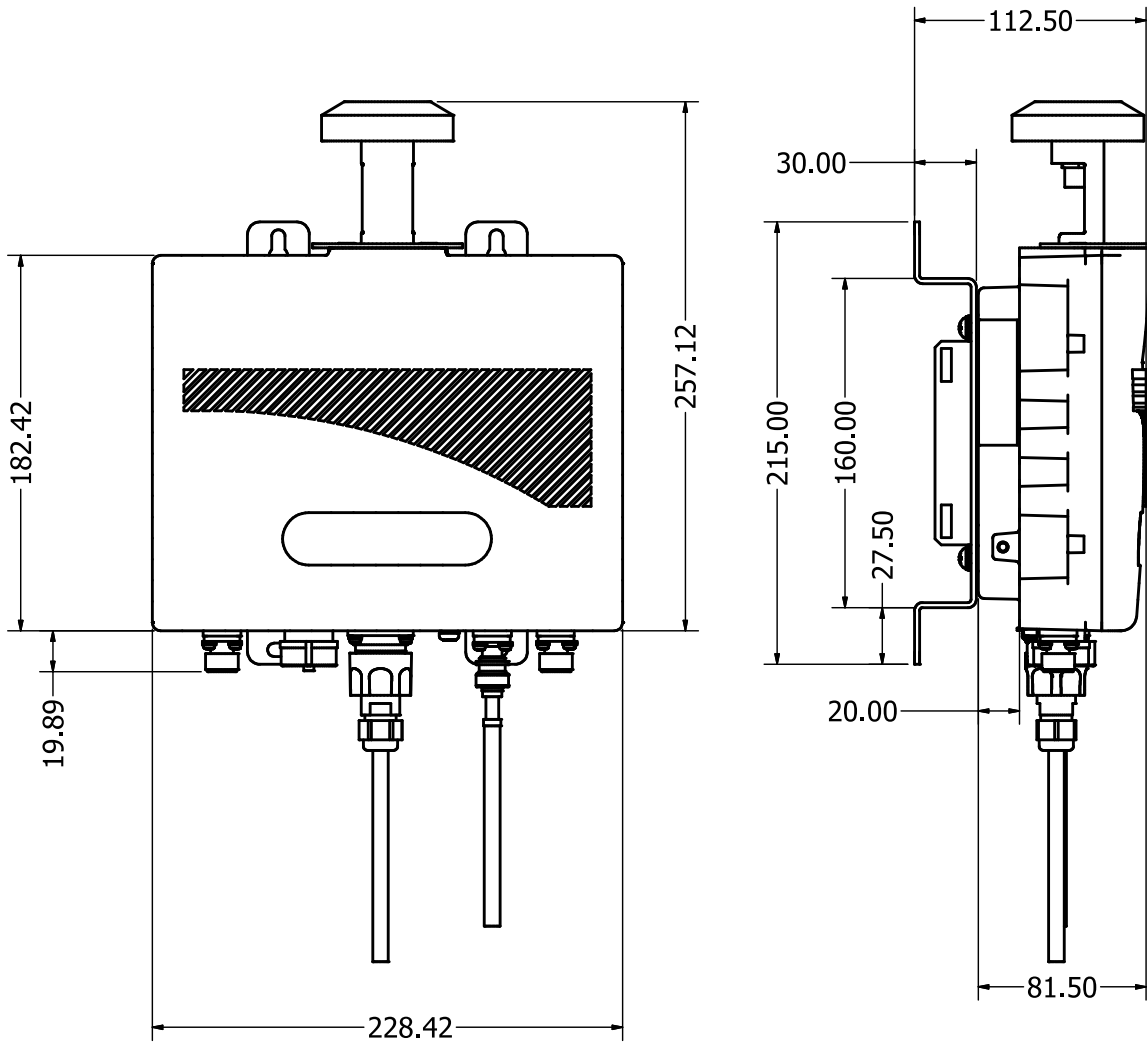


Figure E.1. WiN7200 Small Form Factor Base Station Base Station Mechanical Drawing

Appendix F. Warranty

RuggedCom warrants this product for a period of five (5) years from the date of purchase. This product contains no user-serviceable parts. Attempted service by unauthorized personnel shall render all warranties null and void. For warranty details, visit www.RuggedCom.com or contact your customer service representative.

Should this product require service, contact the factory at:

RuggedCom Inc.
300 Applewood Crescent
Concord, Ontario
Canada L4K 5C7
Phone: +1 905 856 5288
Fax: +1 905 856 1995