

MT-344048/ND

2.3-2.7GHz 17dBi Dual Slant

Subscriber Antenna

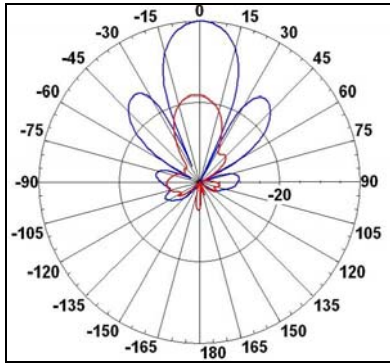


Specifications

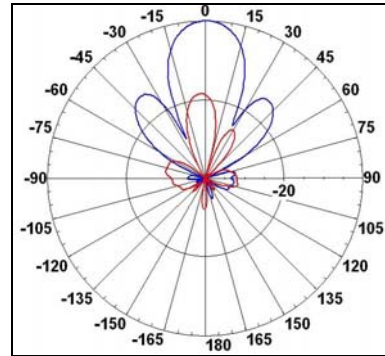
MTI PART NUMBER		MT - 344048/ND		
ELECTRICAL				
REGULATORY COMPLIANCE		ETSI EN 302 326-3 V1.1.2(2006-03)DN2-DN3,RoHS,CE 0682		
FREQUENCY RANGE		2.3-2.7 GHz		
GAIN		17 dBi (min) @ 2.3-2.5 GHz, 18 dBi @ 2.5-2.7 GHz		
VSWR		1.5 : 1 (typ), 1.7:1 (max)		
BEAMWIDTH AZIMUTH & ELEVATION		21°		
POLARIZATION		Dual Slant ± 45°		
CROSS POLARIZATION		ETSI EN 302 326-3 V1.1.2 (2006-03) DN2-DN3		
SIDE LOBES LEVEL AZIMUTH & ELEVATION		ETSI EN 302 326-3 V1.1.2 (2006-03) DN2-DN3		
F/B RATIO		ETSI EN 302 326-3 V1.1.2 (2006-03) DN2-DN3		
PORT-TO-PORT ISOLATION		-18 dB (max) , -25 dB (typ)		
INPUT IMPEDANCE		50 (ohm)		
INPUT POWER		6W		
LIGHTNING PROTECTION		DC Grounded		
MECHANICAL				
DIMENSIONS (LxWxD)		305x305x15mm (max)		
WEIGHT		1.2 kg (max)		
CONNECTOR		2 x N-Type Female		
RADOME		Plastic		
BASE PLATE		Aluminum with chemical conversion coating		
OUTLINE DRAWING		See page 2		
MOUNTING KIT		MT-120018		
ENVIRONMENTAL				
TEST		STANDARD		
LOW TEMPERATURE	IEC 68-2-1	DURATION	TEMPERATURE	NOTES
HIGH TEMPERATURE	IEC 68-2-2	72 h	-55°C	-
TEMP. CYCLING	IEC 68-2-14	72 h	+71°C	-
VIBRATION	IEC 60721-3-4	1 h	-45°C +70°C	3 Cycles
SHOCK MECHANICAL	IEC 60721-3-4	30 min/axis	-	Random4M5
HUMIDITY	ETSI EN300-2-4 T4.1E	-	-	4M5
WATER TIGHTNESS	IEC 529	144 h	-	95%
SOLAR RADIATION	ASTAM G53	-	-	IP64
SALT SPRAY	IEC 68-2-11 Ka	-	-	-
ICE AND SNOW	-	500 h	-	25mm Radial
WIND SPEED SURVIVAL	-	-	-	220 Km/h
OPERATION	-	-	-	160 Km/h
WIND LOAD SUR. FRONT TH.	-	-	-	26.6 kg
SIDE THRUST	-	-	-	1.3 kg

2.3-2.7 GHz 17 dBi Dual Slant Subscriber Antenna

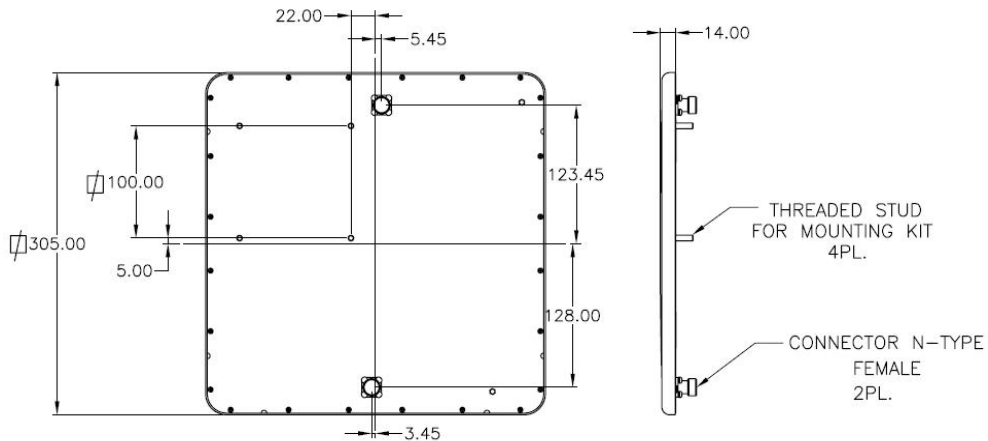
Azimuth Radiation Pattern
 Midband Freq. 2.4 GHz



Elevation Radiation Pattern
 Midband Freq. 2.4 GHz



Dimensions [mm]



Existing Antenna Versions

--	--

MTI Wireless Edge is certified according to ISO 9001 and ISO 14001.

WAIVER!

While the information contained in this document has been carefully compiled to the best of our present knowledge, it is not intended as presentation or warranty of any kind on our part regarding the fitness of the products concerned for any particular use or purpose and neither shall any statement contained herein be construed as a recommendation to infringe any industrial property rights or as a license to use any such rights. The fitness of each product for any particular purpose must be checked beforehand with our specialists.

MTI Wireless Edge Ltd.

11 Hamelacha St.
 Afek Industrial Park
 Rosh Ha'ayin 48091, Israel
 Tel: +972-3-9008900
 Fax: +972-3-9008901
www.mtiwe.com

Document No: MT-344048/ND
 Issued: 17/07/2008

Uncontrolled Copy