

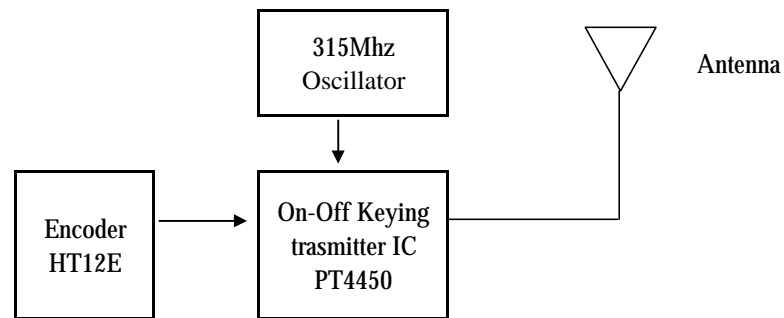
Block Diagram and description

Date : June 15, 2007

Rev : 0

Model number : DUC142 / SZE-KHEGC

RF Transmitter block diagram



Description:

When the button of the transmitter is pressed, the oscillator is turned on and off by the encoded signal from encoder HT12E.

The Modulated signal is then transmitted through the antenna.