

## 1. Introduction

HB Series of microwave motion sensor module are X-Band Bi-Static DRO Doppler transceiver front-end module. These modules are designed for movement detection, like intruder alarms, occupancy modules and other innovative ideas.

The module consists of Dielectric Resonator Oscillator (DRO), microwave mixer and patch antenna (see Diagram A).

This Application Note highlights some important points when designing-in HB100 module. Most of the points are also applicable to other models in this series.

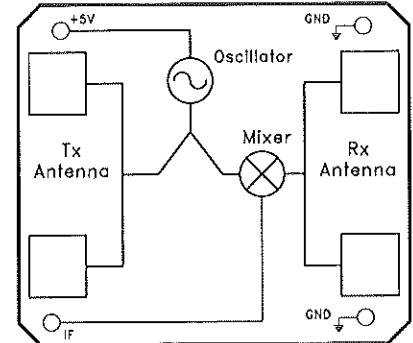


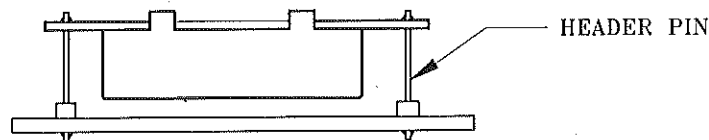
Diagram A: Block Diagram

## 2. Mounting

Header Pins can be used to connected the terminals (+5V, IF, GND) to the amplifier circuit as well as mounting support. Other mounting methods may be used.

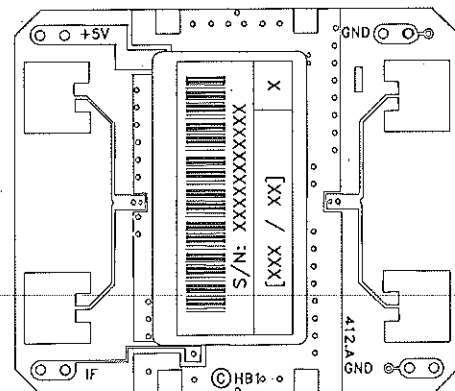
Wave-solder the module onto PCBA is possible but processes has to be evaluated to prevent deterioration. No-cleaning process is recommended.

Caution must be taken to avoid pressure or stresses applying to the chassis of the module as it may cause performance deterioration.



## 3. Before Power Up

Connect the power supply, Ground and amplifier circuitry at the designed terminals. Designation of the connection terminals are printed on the PCB as shown in Diagram A.



#### 4. Power Supply

The module operates at +5 Vdc for Continuous wave (CW) operation (see Annex 1).

The module can be powered by +5V low duty cycle pulsed trains in order to reduce its power consumption. Sample & Hold circuit at the IF output is required for pulse operation (see Annex 2).

#### 5. Transmit Frequency

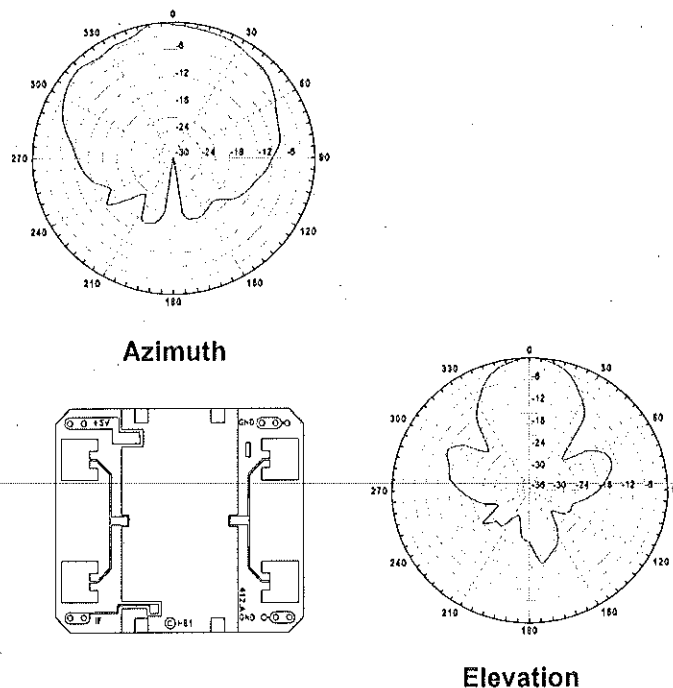
The transmit frequency and power of the module is set by factory. There is no user adjustable part in this device.

The module is a low power radio device (LPRD) or intended radiator. Local radio communication authority regulates use of such a device. Though user license may be exempted, type approval of equipment or other regulation compliance may be required.

Annex 3 shown the allocated frequency in some countries.

#### 6. Radiation Pattern

The module to be mounted with the antenna patches facing to the desired detection zone. The user may vary the orientation of the module to get the best coverage. The radiation patterns of the antenna and their half power beam width (HPBW) are shown in below diagram.



### Satcom & Sensor Systems

ST Electronics (Satcom & Sensor Systems) Pte. Ltd.  
 29 New Industrial Road, ST Electronics Paya Lebar Building, Singapore 636213  
 Tel: (65) 6521 7888 Fax: (65) 6521 7801 Email: agilsense@stee.stengg.com  
 Website: www.agilsense.com | Regn: 199103901W



**ST Electronics**

A company of ST Engineering

## 7. Output Signals

**Doppler shift** - Doppler shift output from IF terminal when movement is detected. The magnitude of the Doppler Shift is proportional to reflection of transmitted energy and is in the range of microvolts ( $\mu\text{V}$ ). A high gain low frequency amplifier is usually connected to the IF terminal in order to amplify the Doppler shift to a processable level (see Annex 1). Frequency of Doppler shift is proportional to velocity of motion. Typical human walking generates Doppler shift below 100 Hz. Doppler frequency can be calculated by Doppler equation in Annex 4.

The Received Signal Strength (RSS) is the voltage measured of the Doppler shift at the IF output. The RSS figure specified in the technical data sheet is level of a 25 Hz Doppler shift, generate from the modulated microwave signal received at the received antenna, The received microwave signal is attenuated to 93 dB below the transmit microwave signal from the transmit antenna of the same unit. The 93dB loss is the total losses combining two ways free space loss (82.4 dB for 30 meters at 10.525 GHz), reflection loss and absorption loss of the target, as well as other losses.

This RSS figure can be view as an approximation of the output signal strength for a human at 15 meters away walking straight to the module at 1.28 km/hour.

Reflection of a human body is varied with the size of the body, clothing, apparels and other environmental factors; RSS measured for two human bodies may vary by 50%.

Circuit designer must take note the maximum and minimum Received Signal Strength (RSS) specified in technical data sheet, when designing the amplifier. Sensitive deviation between modules has to be considered when setting amplifier gain or alarm threshold. On-production-line gain adjustment may be necessary if a narrow window for triggering threshold is required.

**Noise** - The noise figure specified in the technical data sheet is the noise measured in an Anechoic chamber, that shield the unit-under-test from external interference, as well as reflection from surfaces. Hence, the figure is only presenting the noise generated by the internal circuit itself.

Other than noises generate from internal electronic circuit, in actual applications, other noises may be picked up from surrounding, or other part of the electronic circuit.

Specially attention has to be given to the interference pick up from fluorescent light, as the 100/120 Hz noise is closed to the Doppler frequency generated by human movement

On and off switching of certain devices (relay, LED, motor, etc.) may generated high magnitude of transient noise at the IF terminal. Careful PCB layout and time masking is necessary to prevent false triggering.

**DC Level** - DC level (0.01 to 0.2 Vdc) exists at the IF terminal and its polarity can be positive and negative. Its magnitude may vary over temperature. AC coupling is recommended for IF terminal connection.

## Satcom & Sensor Systems

ST Electronics (Satcom & Sensor Systems) Pte. Ltd.  
28 New Industrial Road, ST Electronics Paya Lebar Building, Singapore 636213  
Tel: 651 6521 7888 Fax: 651 6521 7801 Email: agilsense@stee.stengg.com  
Website: www.agilsense.com | Regn: 199103901W1



**ST Electronics**

A company of ST Engineering

## 8. Radiation Safety

Microwave radiation from the module is well below established safety standards for general public environment, like ANSI C95.1-1991 of USA and NRPB-G11 of United Kingdom.

## 9. Handling

The module has been fully tested to specifications. Upon opening, tighten or loosen the chassis will cause performance deterioration.

The module is an electrostatic sensitive device (ESD). Precautions shall be observed for handling and assembly.

## 10. Product Support

Please contact our product support engineers in the factory for technical assistance whenever necessary.

*Product Support (Microwave Sensors)*

*Tel: (65) 6521 7948*

*Fax: (65) 6521 7801*

*e-mail: [agilsense@stee.stengg.com](mailto:agilsense@stee.stengg.com)*

\*\*\*\*\*

This device complies with part 15 of the FCC Rules. Operation is subject to the following two conditions: (1) This device may not cause harmful interference, and (2) this device must accept any interference received, including interference that may cause undesired operation.

Caution: Any changes or modification cautions to this device not explicitly approved by manufacturer could void your authority to operate this equipment.

\*\*\*\*\*

## Satcom & Sensor Systems

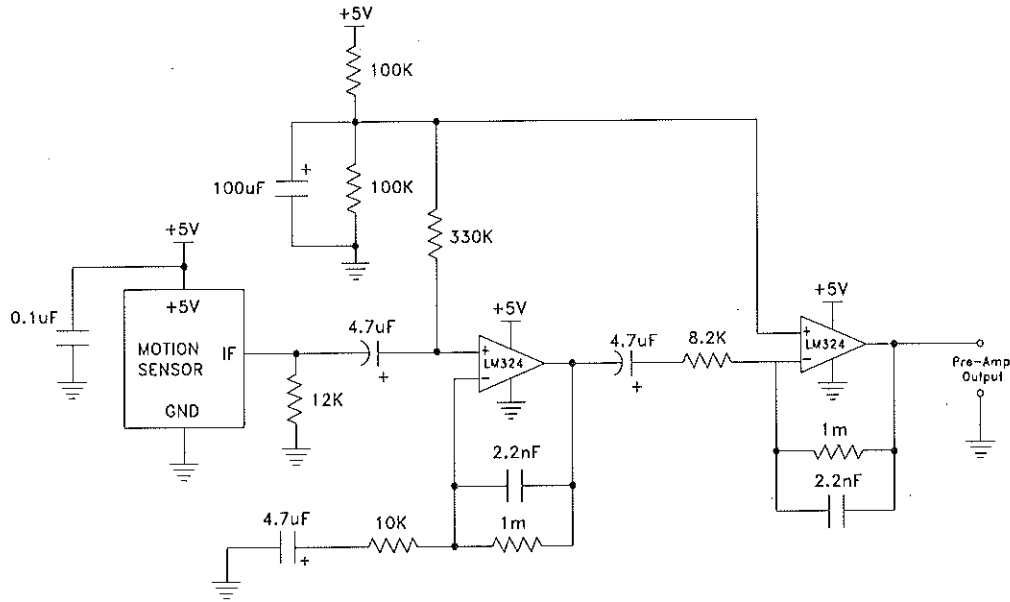
ST Electronics (Satcom & Sensor Systems) Pte. Ltd.  
29 New Industrial Road, ST Electronics Paya Lebar Building, Singapore 536213  
Tel: (65) 6521 7888 Fax: (65) 6521 7801 Email: [agilsense@stee.stengg.com](mailto:agilsense@stee.stengg.com)  
Website: [www.agilsense.com](http://www.agilsense.com) ( Regn: 199103901W )



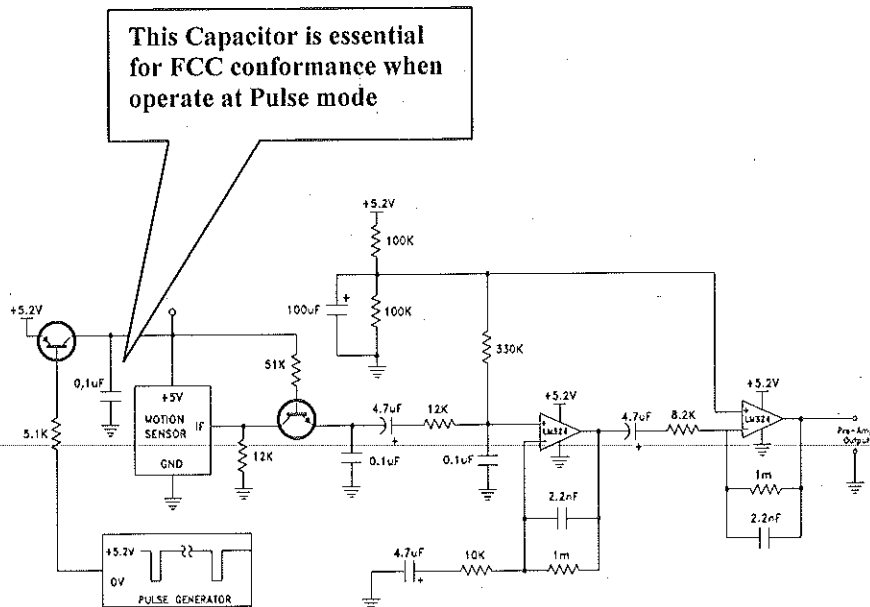
**ST Electronics**

A company of ST Engineering

### Annex 1: Amplifier Circuit (CW operation)



### Annex 2: Amplifier Circuit (Pulse operation, PRF = 2 KHz, Duty Cycle = 4%)



## Satcom & Sensor Systems

ST Electronics (Satcom & Sensor Systems) Pte. Ltd.  
 29 New Industrial Road, ST Electronics Paya Lebar Building, Singapore 636213  
 Tel: (65) 6521 7888 Fax: (65) 6521 7801 Email: agilsense@stee.stengg.com  
 Website: www.agilsense.com (Regn: 199103901W)

**Annex 3: Allocated Frequency for Movement Detection**

Frequency	Country	Remark
9.35 GHz	Germany	
9.9 GHz	France, Italy	
10.525 GHz	USA, Belgium, Netherlands	
10.587 GHz	UK	Outdoor & Indoor applications
10.687 GHz	UK	Indoor applications ONLY

Note:

1. Though same frequency is allocated in some countries, national regulations may specify different EIRP, spurious emission or other requirements.
2. EN 300 440 is the recommended harmonized standard for European Community, member country may adopt their own national regulation.
3. The regulations are subjected to change from time to time, please contact appropriate authorities for full and up-to-dated information.
4. Useful websites:

Agency	Website
The Code of Federal Regulations, USA	<a href="http://www.access.gpo.gov/cgi-bin/cfrassemble.cgi?title=199847">http://www.access.gpo.gov/cgi-bin/cfrassemble.cgi?title=199847</a>
The European Radiocommunication Office	<a href="http://www.ero.dk/">http://www.ero.dk/</a>
The Radiocommunications Agency , UK	<a href="http://www.radio.gov.uk/">http://www.radio.gov.uk/</a>

**Annex 4: Doppler Equation**

$$F_d = 2V \left( \frac{F_t}{c} \right) \cos \theta$$

Where

$F_d$  = Doppler frequency

$V$  = Velocity of the target

$F_t$  = Transmit frequency

$c$  = Speed of light ( $3 \times 10^8$  m/sec)

$\theta$  = The angle between the target moving direction and the axis of the module.

If a target is moving straight toward or away from HB100 ( $F_t = 10.525$  GHz) The formula is simplified to:

$$F_d = 19.49V \text{ (Velocity in km/hour) or } 31.36V \text{ (V in mile per hour)}$$

Conversion factor for other frequencies are shown as below:

Frequency	$F_d$ (V in Km/hr)	$F_d$ (V in mph)
9.35 GHz	17.31V	27.85V
9.9 GHz	18.33V	29.49V
10.525 GHz	19.49V	31.36V
10.587 GHz	19.60V	31.54V
10.687 GHz	19.79V	31.84V