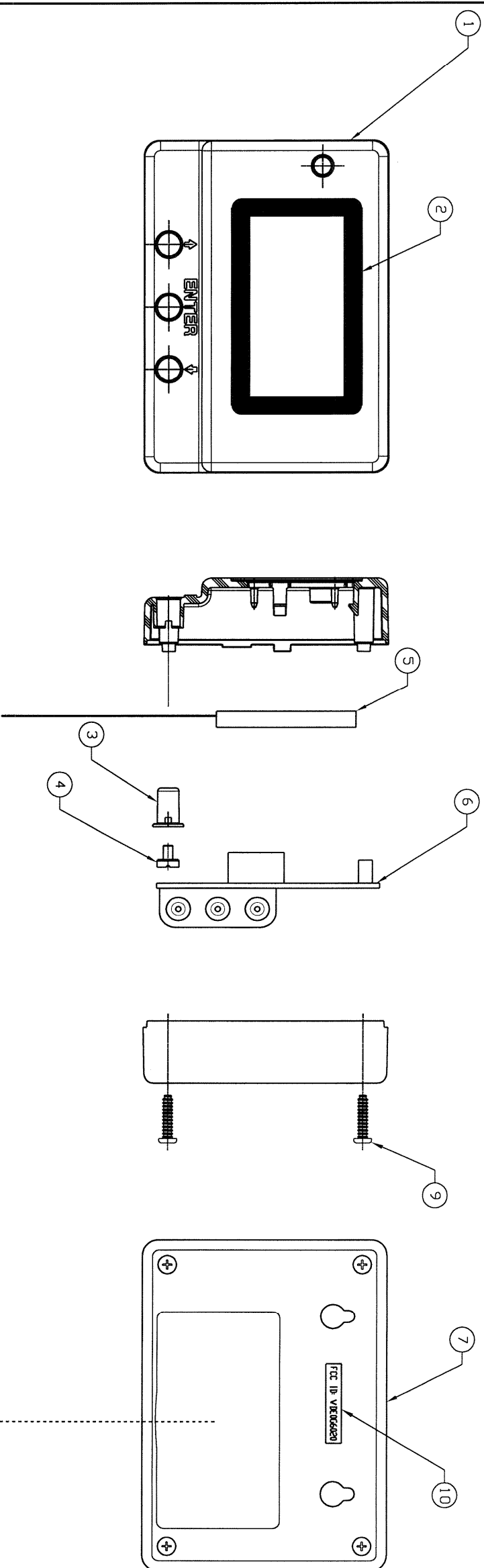


0G6020

ASSEMBLY NOTES:

1. ATTACH WINDOW (ITEM 2) TO FRONT CASE (ITEM 1).
2. SNAP DISPLAY (ITEM 5) INTO FRONT CASE.
3. INSERT PUSH BUTTONS (ITEM 3) INTO FRONT CASE BUTTON HOLES.
4. INSTALL PUSH BUTTON INSERTS (ITEM 4) INTO BUTTONS.
5. CONNECT RIBBON CABLE FROM DISPLAY TO ZIF SOCKET (J1) OF PCB.
6. INSERT CONNECTOR FROM DISPLAY TO J2 OF PCB.
7. LOCATE PCB IN FRONT CASE.
8. ATTACH CASE BACK TO CASE FRONT WITH SCREWS (ITEM 9)
9. FIT BATTERY COVER (ITEM 8)
10. ATTACH DECAL (ITEM 10) TO OUTSIDE OF CASE IN LOCATION SHOWN.

ITEM	QTY	PART NO.	DESCRIPTION
1	1	0G5783A	CASE, FRONT-RF ANNUNCIATOR
2	1	0G4884	WINDOW, RF ANNUNCIATOR
3	3	0G4880	BUTTON, RF ANNUNCIATOR
4	3	0G6328	INSERT, RUBBER BUTTON RF ANN
5	1	0G4881	DISPLAY, RF ANNUNCIATOR
6	1	0G5662	ASSY PCB WIRELESS DISPLAY SYS
7	1	0G5783B	CASE, BACK-RF ANNUNCIATOR
8	1	0G5783C	BATTERY COVER-RF ANNUNCIATOR
9	4	089662	SCREW PPH #3-24 X .37
10	1	0G6441	DECAL FCC ID VDE0G6020



-A-		ADDED ITEM 10 AND NOTE 10																	
09/12/07	H-1092-B																		

EST. WT. \_\_\_\_\_  
 FINISH, VTI \_\_\_\_\_  
 DO NOT SCALE  
 ALL DIMENSIONS AND TOLERANCING PER ASME Y14.5M-1994  
 UNLESS OTHERWISE SPECIFIED:  
 ALL XX DIM. --- 48.4 MM  
 ALL XXX DIM. --- 50.8 MM  
 ALL ANGLES --- 90°

DRAWING TITLE: **ASSY, RF ANNUNCIATOR**  
 MATERIAL: AS NOTED  
 DATE: 07/12/07  
 CHKD: S.J.W. DATE: 07/20/07  
 PRODUCED: BY: F.X.W. DATE: 07/27/07

GENERAQ POWER SYSTEMS  
 WALKERSHA, VTS. 53187  
 P.O. BOX B  
 FILE NO. 0G6020-B:DWG  
 SCALE: 1 = 1  
 SIZE: C  
 REV: B

1	1	2	3	4	5	6
---	---	---	---	---	---	---