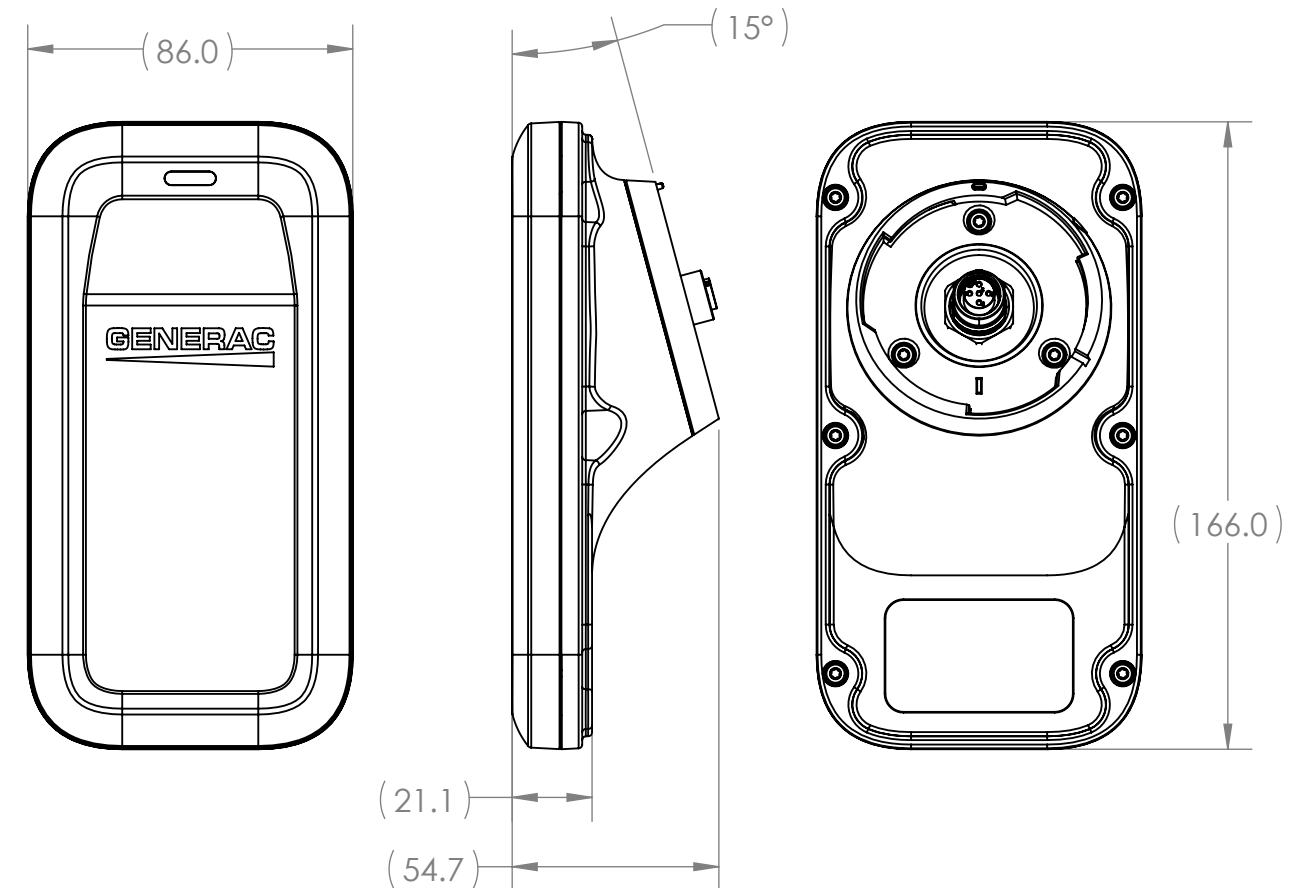
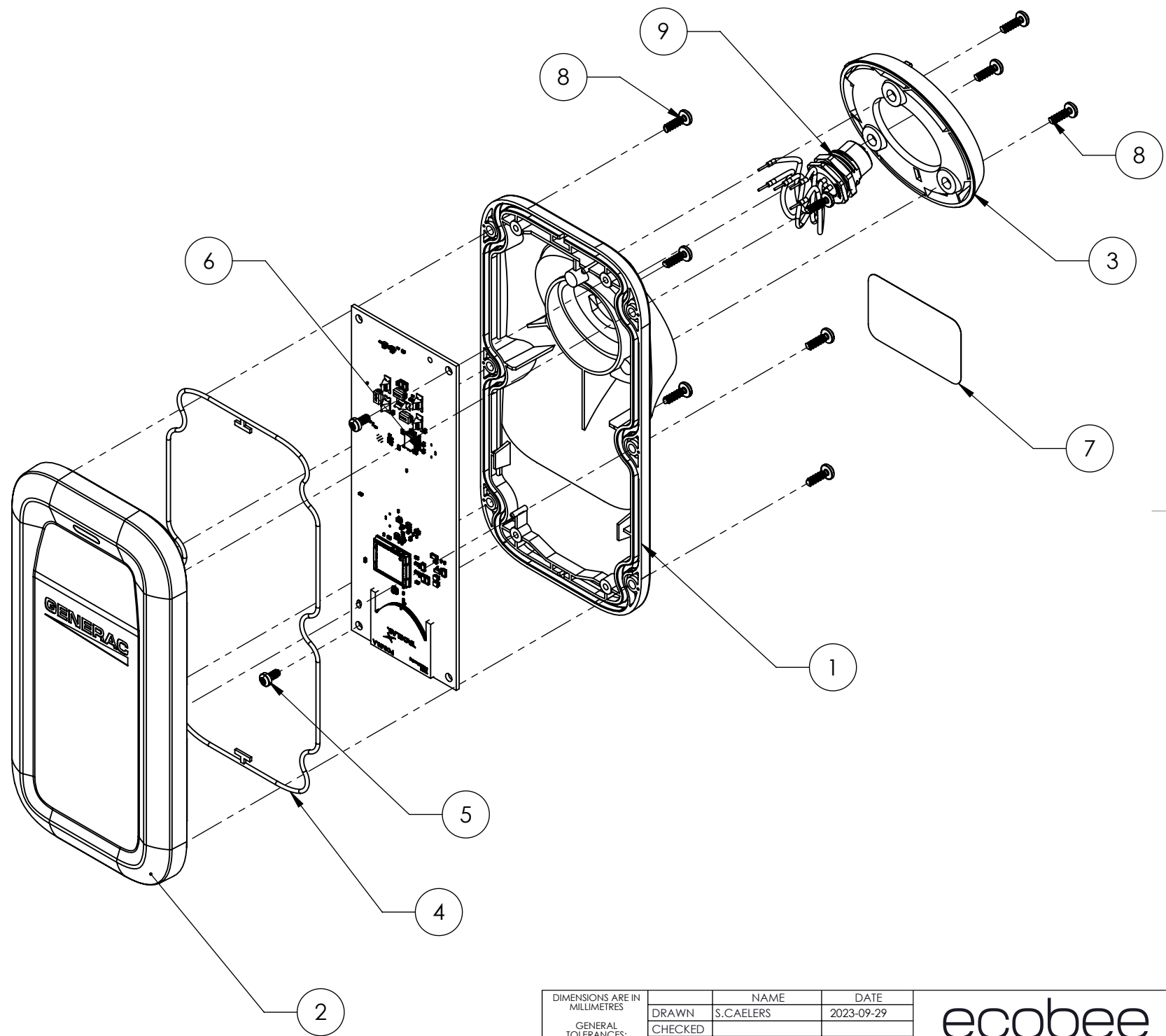


ITEM NO.	PARTNO	DESCRIPTION	QTY.
1	A0004753477	HOUSING, G3 CELLULAR RADIO	1
2	A0004753476	COVER, G3 CELLULAR RADIO	1
3	A0004753478	DISK, MOUNTING, G3 CELLULAR RADIO	1
4	A0004753479	GASKET, G3 CELLULAR RADIO	1
5	A0004753482	SCREW, THREAD FORMING, M3 X 6, T10	2
6	A0004080870	PCBA, 12V CELLULAR, HL7810	1
7	A0004175713	DECAL, 12V RADIO	1
8	A0004753481	SCREW, THREAD FORMING, M3 X 10, T10	9
9	A0005166074	M12-5F CONN, 60mm LEADS	1

REVISIONS			
REV	DESCRIPTION	APPROVED	DATE
1	INITIAL RELEASE	SC	2023-10-02
A	RELEASE TO PRODUCTION	SC	2023-10-05



DIMENSIONS ARE IN MILLIMETRES		NAME	DATE	<b>ecobee</b>
GENERAL TOLERANCES:		S.CAELERS	2023-09-29	
X ± 0.25		<b>PROPRIETARY AND CONFIDENTIAL</b>		TITLE: G3 12V RADIO ASSEMBLY
X.X ± 0.10				
X.XX ± 0.05		THE INFORMATION CONTAINED IN THIS DRAWING IS THE SOLE PROPERTY OF ECOBEE INC. ANY REPRODUCTION IN PART OR AS A WHOLE WITHOUT THE WRITTEN PERMISSION OF ECOBEE INC IS PROHIBITED.		SIZE: <b>B</b>
ANGLES (MACH) ± 1°				PART NO. <b>A0004175705</b>
ANGLES (BEND) ± 3°		DRAWING PER: ASME Y14.5M-2009		REV: <b>A</b>
3RD ANGLE PROJECTION		DO NOT SCALE DRAWING		SCALE: 1:2 SHEET 1 OF 1