

INSTRUCTIONS

FULL FUNCTION RADIO CONTROLLED

- Ages : For 8 and up
- Make sure to read the instructions carefully to the end before beginning to play
- Adult guidance is strongly recommended

MODEL NO: HQ5022

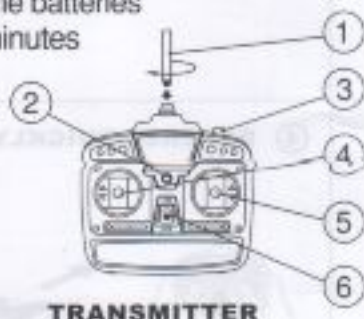
FEATURES

VEHICLE

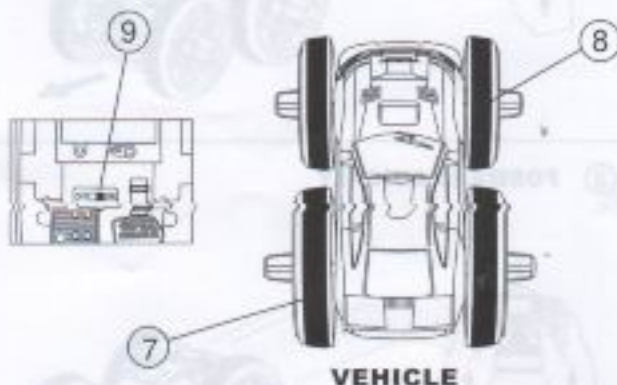
- * Can be made to move forward, reverse, turn right / left and various stunt actions
- * Can be operated on all flat smooth surfaces
- * Battery: 6v Ni-Cd or alkaline batteries
- * Battery working time: 20 minutes

TRANSMITTER

- * Full function:
Forward, Backward,
Left Turn, Right Turn, Stop
- * Modulation: AM
- * Battery: 1 x 006P (9 volt)
- * Battery life time: 8 Hours



TRANSMITTER



VEHICLE

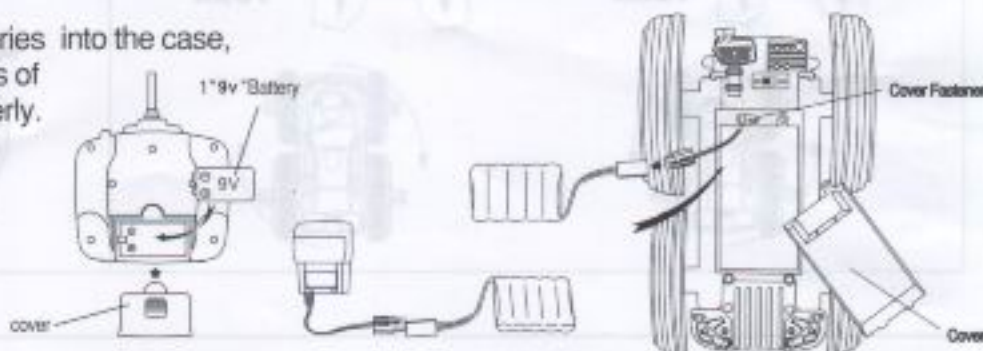
1. Telescopic Antenna
2. Indicator Lamp
3. Stunt key

4. Forward / Reverse Control lever
5. Forward / Reverse Control lever
6. On / Off Switch

7. Back Wheel
8. Front Wheel
9. On / Off switch

INSTALLING BATTERIES

1. Open the battery case of the transmitter, and install 1 "9V" battery into it, then close the case cover.
2. Open the cover.
3. Install 6v Ni-Cd or alkaline batteries into the case, making sure the [+] and [-] poles of the battery are positioned properly.
4. Close the case cover (Batteries included)



SAFETY RULES

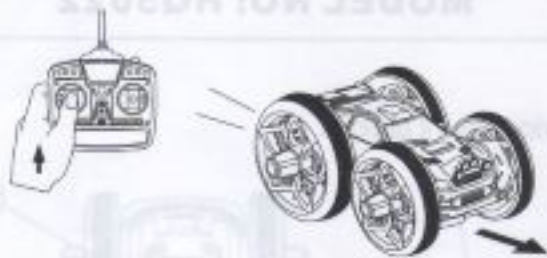
- * Not suitable for children under 8 years due to detachable small parts.
- * Installation of the battery should be done by an adult.
- * Keep fingers, hair and loose clothing away from the tires and the wheels while the vehicle is switched "ON".
- * Don't pick up vehicle while in motion.
- * Don't put your vehicle and transmitter near any sources of **heat**.
- * Don't operate your vehicle in dangerous places.
- * Avoid driving on **sand**.
- * Don't let the vehicle get wet. Don't run through **water**.
- * Avoid all possible collisions, check the road ahead and watch for obstacles.
- * Children should not disassemble this vehicle.
- * If the vehicle is damaged and any broken parts are exposed, the vehicle should not be used by children until checked by adults that no sharp edges are exposed.



OPERATION

1. Extend the transmitter antenna to its full length.
2. Turn "on" the vehicle and transmitter.
3. Drive the car by operating the sticks of the transmitter.

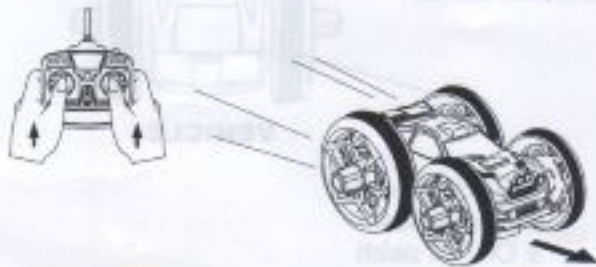
① FORWARD



② REVERSE



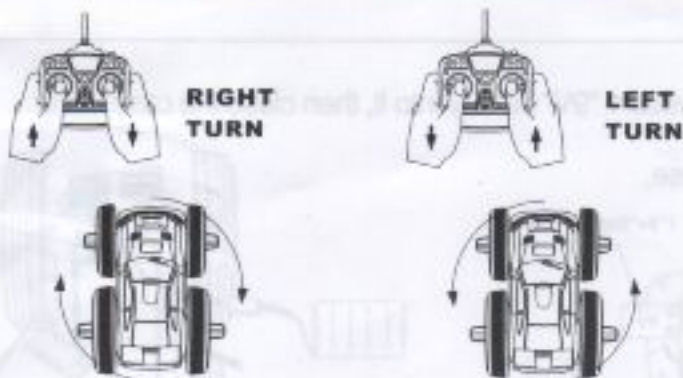
③ FORWARD QUICKLY



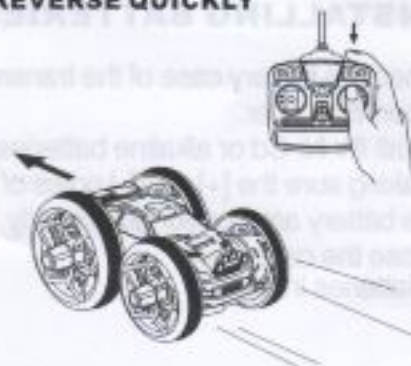
④ REVERSE QUICKLY



⑤



⑥ REVERSE QUICKLY



TROUBLESHOOTING

TROUBLES	PROBABLE CAUSE	CORRECTION
The car does not move	The switch of the car or controller had not been turned on	Switch them on
	The (+) and (-) ends of battery is positioned in the wrong direction	Take out the batteries and install them again correctly
	The 9V battery is too weak to make the controller work	Replace 9V battery with a new one
	The batteries of the car are too weak to move the vehicle	replace them with new powerfull batteries
The car is out of control	Weak 9V controller battery	Replace 9V battery with a new one
	There is same wave radio control car is being used	Change location

Warning: Changes or modifications to this unit not expressly approved by the party responsible for compliance could void the user's authority to operate the equipment.

NOTE: This equipment has been tested and found to comply with the limits for a Class B digital device, pursuant to Part 15 of the FCC Rules. These limits are designed to provide reasonable protection against harmful interference in a residential installation. This equipment generates, uses and can radiate radio frequency energy and, if not installed and used in accordance with the instructions, may cause harmful interference to radio communications.

However, there is no guarantee that interference will not occur in a particular installation. If this equipment does cause harmful interference to radio or television reception, which can be determined by turning the equipment off and on, the user is encouraged to try to correct the interference by one or more of the following measures:

- Reorient or relocate the receiving antenna.
- Increase the separation between the equipment and receiver.
- Connect the equipment into an outlet on a circuit different from that to which the receiver is connected.
- Consult the dealer or an experienced radio/TV technician for help.