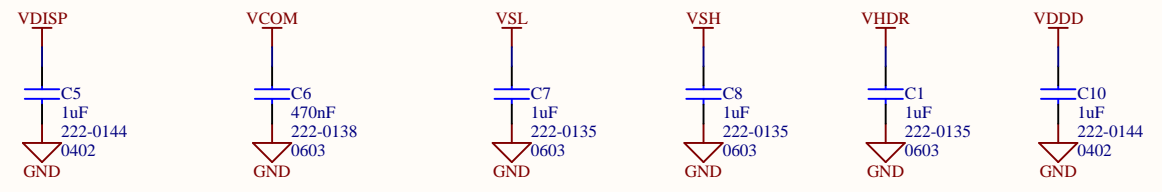
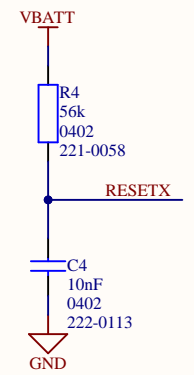
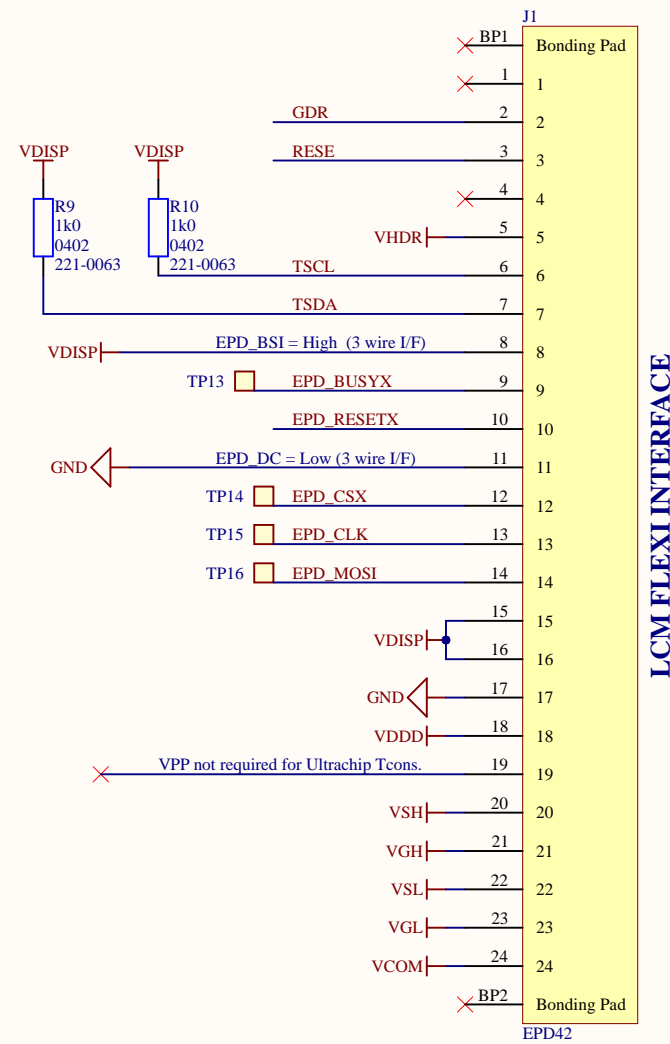
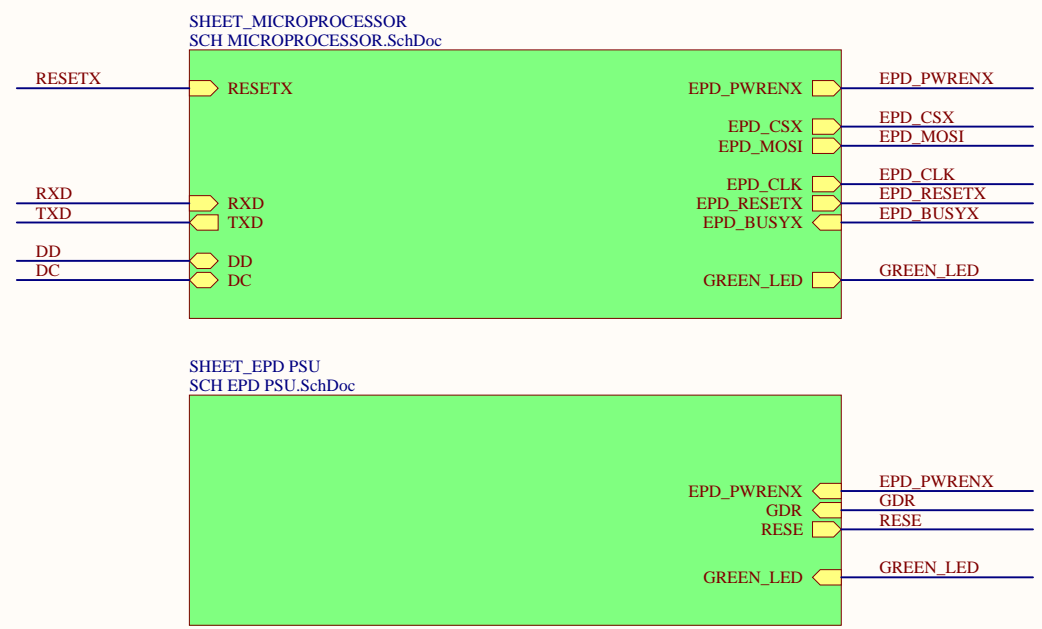
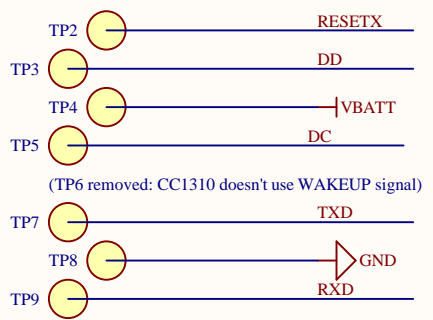
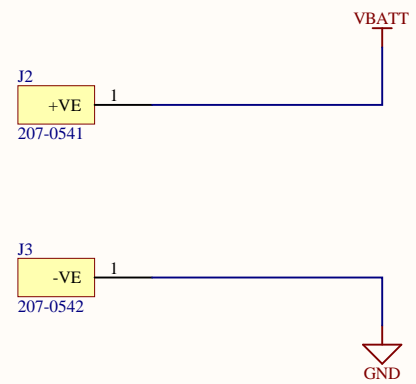


A

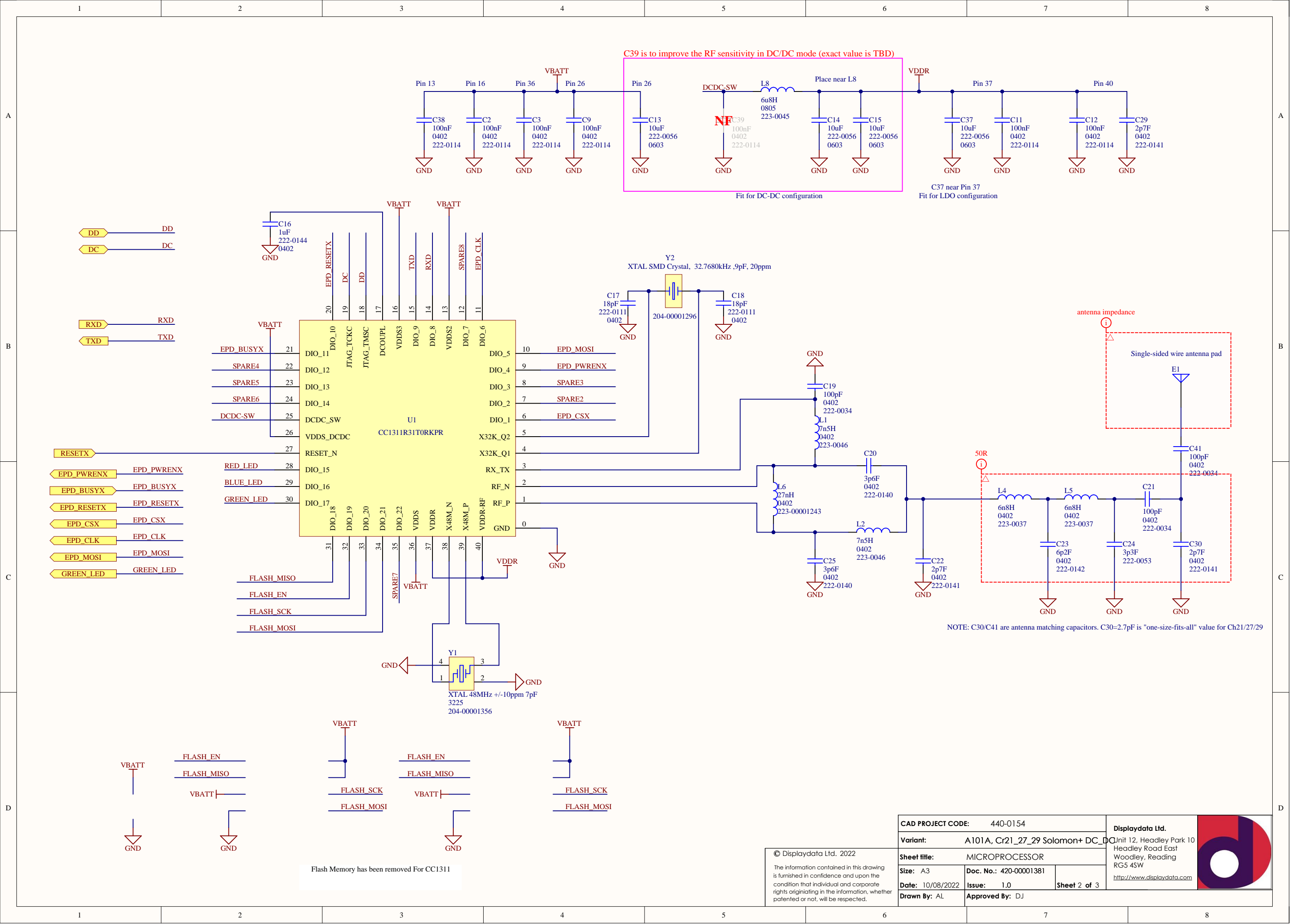


LCM FLEXI INTERFACE

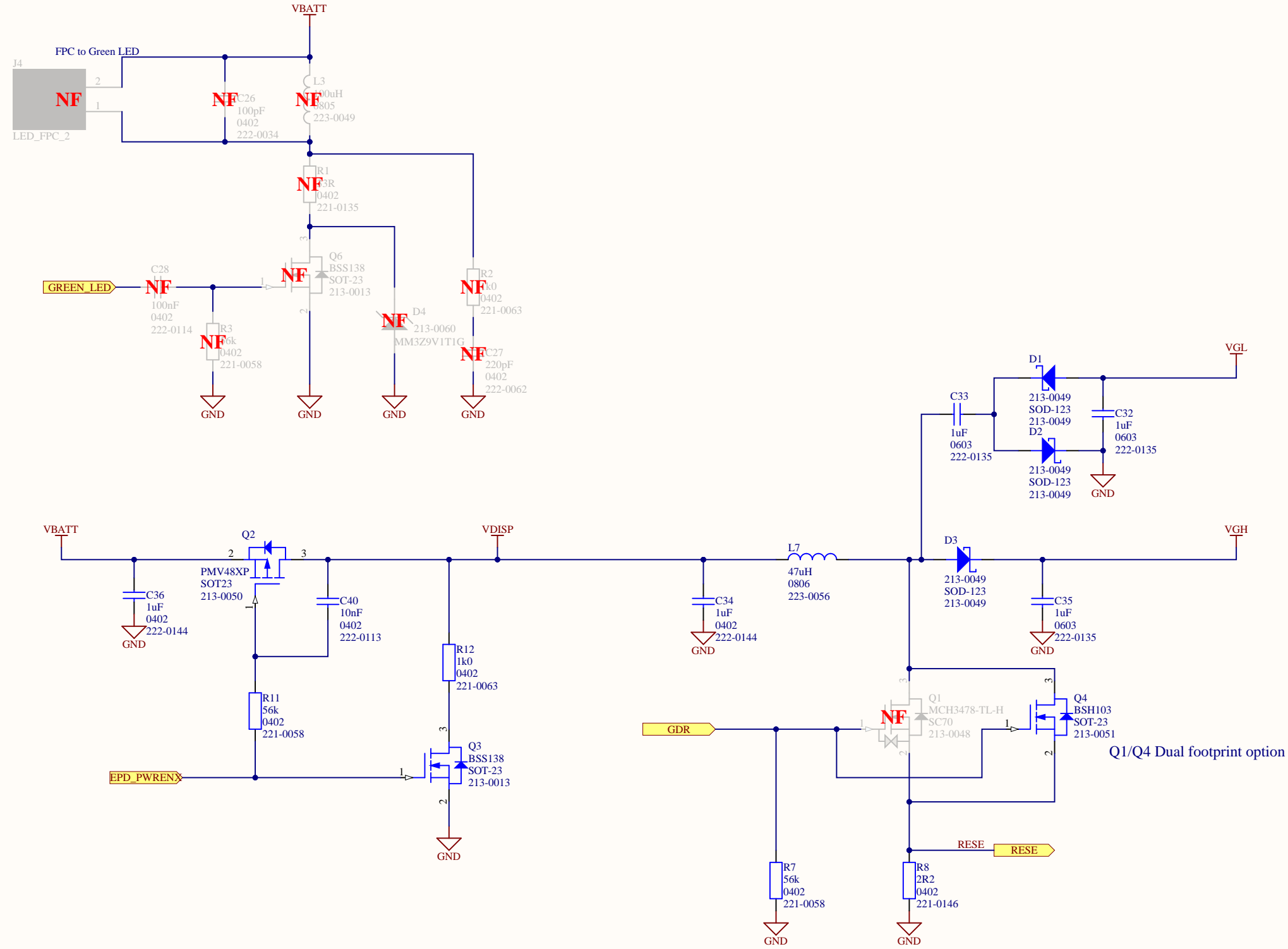
D

CAD PROJECT CODE: 440-0154		Displaydata Ltd.	
Variant: A101A, Cr21_27_29 Solomon+ DC_DC		Unit 12, Headley Park 10 Headley Road East Woodley, Reading RG5 4SW	
Sheet title: TOP LEVEL		http://www.displaydata.com	
Size: A3	Doc. No.: 420-00001381	Sheet 1 of 3	
Date: 10/08/2022	Issue: 1.0		
Drawn By: AL	Approved By: DJ		

© Displaydata Ltd.
The information contained in this drawing is furnished in confidence and upon the condition that individual and corporate rights originating in the information, whether patented or not, will be respected.



QBLP601-IG
1.8x0.8x0.6mm Top Firing
213-0059



Q1/Q4 Dual footprint option

© Displaydata Ltd.
The information contained in this drawing is furnished in confidence and upon the condition that individual and corporate rights originating in the information, whether patented or not, will be respected.

CAD PROJECT CODE: 440-0154		Displaydata Ltd.	
Variant: A101A, Cr21_27_29 Solomon+ DC_DC		Unit 12, Headley Park 10 Headley Road East Woodley, Reading RG5 4SW http://www.displaydata.com	
Sheet title: EPD PSU	Size: A3	Doc. No.: 420-00001381	Sheet 3 of 3
Date: 10/08/2022	Issue: 1.0	Approved By: DJ	
Drawn By: AL			

