



# RADIO TEST REPORT

Report No.: STS2201020W08

Issued for

Freedom Scientific BLV Group

17757 US Highway 19 N, Suite 560, Clearwater, FLORIDA  
33764 USA

|                       |  |
|-----------------------|--|
| <b>Product Name:</b>  | Compact                                |
| <b>Brand Name:</b>    | Freedom Scientific                     |
| <b>Model Name:</b>    | Compact 10                             |
| <b>Series Model:</b>  | COMP-10-HD-SP-xx,<br>COMP-10-HD-NSP-xx |
| <b>FCC ID:</b>        | VC2-RUBY10                             |
| <b>Test Standard:</b> | FCC Part 15.247                        |

Any reproduction of this document must be done in full. No single part of this document may be reproduced without permission from STS, all test data presented in this report is only applicable to presented test sample.





### TEST RESULT CERTIFICATION

**Applicant's Name** .....: Freedom Scientific BLV Group  
 Address .....: 17757 US Highway 19 N, Suite 560, Clearwater, FLORIDA 33764 USA  
**Manufacturer's Name**.....: Freedom Scientific BLV Group  
 Address .....: 17757 US Highway 19 N, Suite 560, Clearwater, FLORIDA 33764 USA

#### Product Description

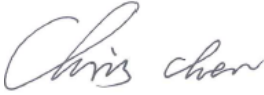
Product Name.....: Compact  
 Brand Name.....: Freedom Scientific  
 Model Name .....: Compact 10  
 Series Model.....: COMP-10-HD-SP-xx, COMP-10-HD-NSP-xx


**Test Standards** .....: FCC Part 15.247  
 Test Procedure.....: ANSI C63.10-2013

This device described above has been tested by STS, the test results show that the equipment under test (EUT) is in compliance with the FCC requirements. And it is applicable only to the tested sample identified in the report.

This report shall not be reproduced except in full, without the written approval of STS, this document only be altered or revised by STS, personal only, and shall be noted in the revision of the document.

**Date of Test** .....:  
 Date of receipt of test item.....: 06 Jan. 2022  
 Date (s) of performance of tests .....: 06 Jan. 2022 ~ 23 Feb. 2022  
 Date of Issue .....: 23 Feb. 2022  
 Test Result.....: **Pass**

Testing Engineer :   
 \_\_\_\_\_  
 (Chris Chen)

Technical Manager :   
 \_\_\_\_\_  
 (Sean she)

Authorized Signatory :   
 \_\_\_\_\_  
 (Vita Li)





| Table of Contents  | Page      |
|--|-----------|
| <b>1. SUMMARY OF TEST RESULTS</b>                            | <b>5</b>  |
| 1.1 TEST FACTORY   | 6         |
| 1.2 MEASUREMENT UNCERTAINTY                                  | 6         |
| <b>2. GENERAL INFORMATION</b>                                | <b>7</b>  |
| 2.1 GENERAL DESCRIPTION OF THE EUT                           | 7         |
| 2.2 DESCRIPTION OF THE TEST MODES                            | 9         |
| 2.3 TEST SOFTWARE AND POWER LEVEL                            | 9         |
| 2.4 BLOCK DIAGRAM SHOWING THE CONFIGURATION OF SYSTEM TESTED | 10        |
| 2.5 DESCRIPTION OF NECESSARY ACCESSORIES AND SUPPORT UNITS   | 11        |
| 2.6 EQUIPMENTS LIST FOR ALL TEST ITEMS                       | 12        |
| <b>3. EMC EMISSION TEST</b>                                  | <b>14</b> |
| 3.1 CONDUCTED EMISSION MEASUREMENT                           | 14        |
| 3.2 RADIATED EMISSION MEASUREMENT                            | 18        |
| <b>APPENDIX-PHOTOS OF TEST SETUP</b>                         | <b>30</b> |



**Revision History**

| Rev. | Issue Date   | Report No.    | Effect Page | Contents      |
|------|--------------|---------------|-------------|---------------|
| 00   | 23 Feb. 2022 | STS2201020W08 | ALL         | Initial Issue |
|      |              |               |             |               |





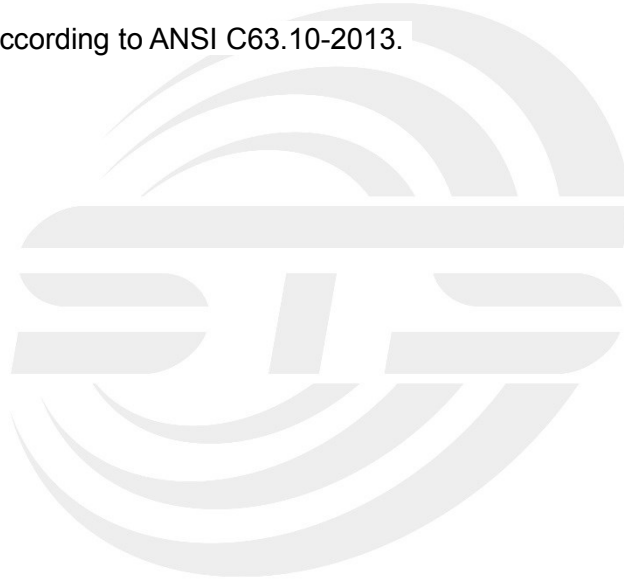
## 1. SUMMARY OF TEST RESULTS

Test procedures according to the technical standards:  
KDB 558074 D01 15.247 Meas Guidance v05r02.

| FCC Part 15.247, Subpart C |                               |          |        |
|----------------------------|-------------------------------|----------|--------|
| Standard Section           | Test Item                     | Judgment | Remark |
| 15.207                     | Conducted Emission            | PASS     | --     |
| 15.209                     | Radiated Spurious Emission    | PASS     | --     |
| 15.205                     | Restricted Band Edge Emission | PASS     | --     |

### NOTE:

- (1) 'N/A' denotes test is not applicable in this Test Report.
- (2) All tests are according to ANSI C63.10-2013.





## 1.1 TEST FACTORY

SHENZHEN STS TEST SERVICES CO., LTD

Add. : A 1/F, Building B, Zhuoke Science Park, No.190 Chongqing Road, HepingShequ, Fuyong Sub-District, Bao'an District, Shenzhen, Guang Dong, China

FCC test Firm Registration Number: 625569

IC test Firm Registration Number: 12108A

A2LA Certificate No.: 4338.01

## 1.2 MEASUREMENT UNCERTAINTY

The reported uncertainty of measurement  $y \pm U$ , where expanded uncertainty  $U$  is based on a standard uncertainty multiplied by a coverage factor of  $k=2$ , providing a level of confidence of approximately 95 %.

| No. | Item                             | Uncertainty          |
|-----|----------------------------------|----------------------|
| 1   | RF output power, conducted       | $\pm 0.87\text{dB}$  |
| 2   | Unwanted Emissions, conducted    | $\pm 2.895\text{dB}$ |
| 3   | All emissions, radiated 9K-30MHz | $\pm 3.80\text{dB}$  |
| 4   | All emissions, radiated 30M-1GHz | $\pm 4.09\text{dB}$  |
| 5   | All emissions, radiated 1G-6GHz  | $\pm 4.92\text{dB}$  |
| 6   | All emissions, radiated >6G      | $\pm 5.49\text{dB}$  |
| 7   | Conducted Emission (9KHz-30MHz)  | $\pm 2.73\text{dB}$  |



## 2. GENERAL INFORMATION

### 2.1 GENERAL DESCRIPTION OF THE EUT

|                          |  |                      |  |                  |   |                          |  |                    |  |                      |                             |                     |         |
|--------------------------|--|----------------------|--|------------------|---|--------------------------|--|--------------------|--|----------------------|-----------------------------|---------------------|---------|
| Product Name             | Compact  |                      |  |                  |   |                          |  |                    |  |                      |                             |                     |         |
| Trade Name               | Freedom Scientific   |                      |  |                  |   |                          |  |                    |  |                      |                             |                     |         |
| Model Name               | Compact 10   |                      |  |                  |   |                          |  |                    |  |                      |                             |                     |         |
| Series Model             | COMP-10-HD-SP-xx, COMP-10-HD-NSP-xx  |                      |  |                  |   |                          |  |                    |  |                      |                             |                     |         |
| Model Difference         | NSP model is the base model<br>SP model enables a software features including speech synthesis<br>The main model is named differently from SP Model and NSP Model for sales purposes<br>-xx Options are:<br>-US for North America<br>-MD for Europe<br>-JP for Japan   |                      |  |                  |   |                          |  |                    |  |                      |                             |                     |         |
| Product Description      | <p>The EUT is a Compact</p> <table border="1"> <tr> <td>Operation Frequency:</td> <td>802.11b/g/n 20: 2412~2462 MHz<br/>802.11n(40MHz):2422~2452MHz</td> </tr> <tr> <td>Modulation Type:</td> <td>802.11b(DSSS):CCK,DQPSK,DBPSK<br/>802.11g(OFDM):BPSK,QPSK,16-QAM,64-QAM<br/>802.11n(OFDM):BPSK,QPSK,16-QAM,64-QAM</td> </tr> <tr> <td>Bit Rate of Transmitter:</td> <td>802.11b:11/5.5/2/1 Mbps<br/>802.11g:54/48/36/24/18/12/9/6Mbps<br/>802.11n(20MHz):<br/>65/58.5/52/39/26/19.5/13/6.5Mbps<br/>802.11n(40MHz):<br/>135/121.5/108/81/54/40.5/37/13.5Mbps</td> </tr> <tr> <td>Number of Channel:</td> <td>802.11b/g/n20: 11CH<br/>802.11n 40: 7CH</td> </tr> <tr> <td>Antenna Designation:</td> <td>Please refer to the Note 3.</td> </tr> <tr> <td>Antenna Gain (dBi):</td> <td>-2.8dBi</td> </tr> </table> | Operation Frequency: | 802.11b/g/n 20: 2412~2462 MHz<br>802.11n(40MHz):2422~2452MHz | Modulation Type: | 802.11b(DSSS):CCK,DQPSK,DBPSK<br>802.11g(OFDM):BPSK,QPSK,16-QAM,64-QAM<br>802.11n(OFDM):BPSK,QPSK,16-QAM,64-QAM | Bit Rate of Transmitter: | 802.11b:11/5.5/2/1 Mbps<br>802.11g:54/48/36/24/18/12/9/6Mbps<br>802.11n(20MHz):<br>65/58.5/52/39/26/19.5/13/6.5Mbps<br>802.11n(40MHz):<br>135/121.5/108/81/54/40.5/37/13.5Mbps | Number of Channel: | 802.11b/g/n20: 11CH<br>802.11n 40: 7CH | Antenna Designation: | Please refer to the Note 3. | Antenna Gain (dBi): | -2.8dBi |
| Operation Frequency:     | 802.11b/g/n 20: 2412~2462 MHz<br>802.11n(40MHz):2422~2452MHz   |                      |  |                  |   |                          |  |                    |  |                      |                             |                     |         |
| Modulation Type:         | 802.11b(DSSS):CCK,DQPSK,DBPSK<br>802.11g(OFDM):BPSK,QPSK,16-QAM,64-QAM<br>802.11n(OFDM):BPSK,QPSK,16-QAM,64-QAM  |                      |  |                  |   |                          |  |                    |  |                      |                             |                     |         |
| Bit Rate of Transmitter: | 802.11b:11/5.5/2/1 Mbps<br>802.11g:54/48/36/24/18/12/9/6Mbps<br>802.11n(20MHz):<br>65/58.5/52/39/26/19.5/13/6.5Mbps<br>802.11n(40MHz):<br>135/121.5/108/81/54/40.5/37/13.5Mbps   |                      |  |                  |   |                          |  |                    |  |                      |                             |                     |         |
| Number of Channel:       | 802.11b/g/n20: 11CH<br>802.11n 40: 7CH   |                      |  |                  |   |                          |  |                    |  |                      |                             |                     |         |
| Antenna Designation:     | Please refer to the Note 3.  |                      |  |                  |   |                          |  |                    |  |                      |                             |                     |         |
| Antenna Gain (dBi):      | -2.8dBi  |                      |  |                  |   |                          |  |                    |  |                      |                             |                     |         |
| Channel List             | Please refer to the Note 2.  |                      |  |                  |   |                          |  |                    |  |                      |                             |                     |         |
| Adapter                  | Input: AC 100~240V~50-60Hz 0.32-0.19A<br>Output: DC 5.1V 2.4A 12.24W   |                      |  |                  |   |                          |  |                    |  |                      |                             |                     |         |
| Battery                  | Rated Voltage: 3.7V<br>Charge Limit Voltage: 4.2V<br>Capacity: 7600mAh   |                      |  |                  |   |                          |  |                    |  |                      |                             |                     |         |
| Hardware version number  | V1.1   |                      |  |                  |   |                          |  |                    |  |                      |                             |                     |         |
| Software version number  | V106   |                      |  |                  |   |                          |  |                    |  |                      |                             |                     |         |
| Connecting I/O Port(s)   | Please refer to the Note 1.  |                      |  |                  |   |                          |  |                    |  |                      |                             |                     |         |

Note:

- For a more detailed features description, please refer to the manufacturer's specifications or the User Manual.



2.

| Operation Frequency of channel |           |                                 |           |
|--------------------------------|-----------|---------------------------------|-----------|
| 802.11b/g/n(20MHz)             |           | Channel List for 802.11n(40MHz) |           |
| Channel                        | Frequency | Channel                         | Frequency |
| 01                             | 2412      | 03                              | 2422      |
| 02                             | 2417      | 04                              | 2427      |
| 03                             | 2422      | 05                              | 2432      |
| 04                             | 2427      | 06                              | 2437      |
| 05                             | 2432      | 07                              | 2442      |
| 06                             | 2437      | 08                              | 2447      |
| 07                             | 2442      | 09                              | 2452      |
| 08                             | 2447      |                                 |           |
| 09                             | 2452      |                                 |           |
| 10                             | 2457      |                                 |           |
| 11                             | 2462      |                                 |           |

Note:

In section 15.31(m), regards to the operating frequency range over 10 MHz, the Lowest frequency, the middle frequency, and the highest frequency of channel were selected to perform the test, and the selected channel see below:

Carrier Frequency Channel

2.4GHz Test Frequency:

| For 802.11b/g/n (HT20) |            | For 802.11n (HT40) |            |
|------------------------|------------|--------------------|------------|
| Channel                | Freq.(MHz) | Channel            | Freq.(MHz) |
| 01                     | 2412       | 03                 | 2422       |
| 06                     | 2437       | 06                 | 2437       |
| 11                     | 2462       | 09                 | 2452       |

3.

| Ant. | Brand              | Model Name | Antenna Type | Connector | Gain (dBi) | Note         |
|------|--------------------|------------|--------------|-----------|------------|--------------|
| 1    | Freedom Scientific | Compact 10 | PCB          | N/A       | -2.8dBi    | WLAN Antenna |

Note: The antenna information refer the manufacturer provide report, applicable only to the tested sample identified in the report. Due to the incorrect antenna information, a series of problems such as the accuracy of the test results will be borne by the customer.





## 2.2 DESCRIPTION OF THE TEST MODES

Each of these EUT operation mode(s) or test configuration mode(s) mentioned above was evaluated respectively.

| Worst Mode | Description               | Data Rate |
|------------|---------------------------|-----------|
| Mode 1     | TX IEEE 802.11b CH1       | 1 Mbps    |
| Mode 2     | TX IEEE 802.11b CH6       | 1 Mbps    |
| Mode 3     | TX IEEE 802.11 b CH11     | 1 Mbps    |
| Mode 4     | TX IEEE 802.11g CH1       | 6 Mbps    |
| Mode 5     | TX IEEE 802.11g CH6       | 6 Mbps    |
| Mode 6     | TX IEEE 802.11g CH11      | 6 Mbps    |
| Mode 7     | TX IEEE 802.11n HT20 CH1  | MCS 0     |
| Mode 8     | TX IEEE 802.11n HT20 CH6  | MCS 0     |
| Mode 9     | TX IEEE 802.11n HT20 CH11 | MCS 0     |
| Mode 10    | TX IEEE 802.11n HT40 CH3  | MCS 0     |
| Mode 11    | TX IEEE 802.11n HT40 CH6  | MCS 0     |
| Mode 12    | TX IEEE 802.11n HT40 CH9  | MCS 0     |

Note:

- (1) The measurements are performed at all Bit Rate of Transmitter, the worst data was reported.
- (2) We have be tested for all available U.S. voltage and frequencies(For 120V,50/60Hz and 240V, 50/60Hz) for which the device is capable of operation, and the worst case of 120V /60Hz is shown in the report.
- (3) The battery is fully-charged during the radited and RF conducted test.

## AC Conducted Emission

| Test Case             |                         |
|-----------------------|-------------------------|
| AC Conducted Emission | Mode13: Keeping WIFI TX |

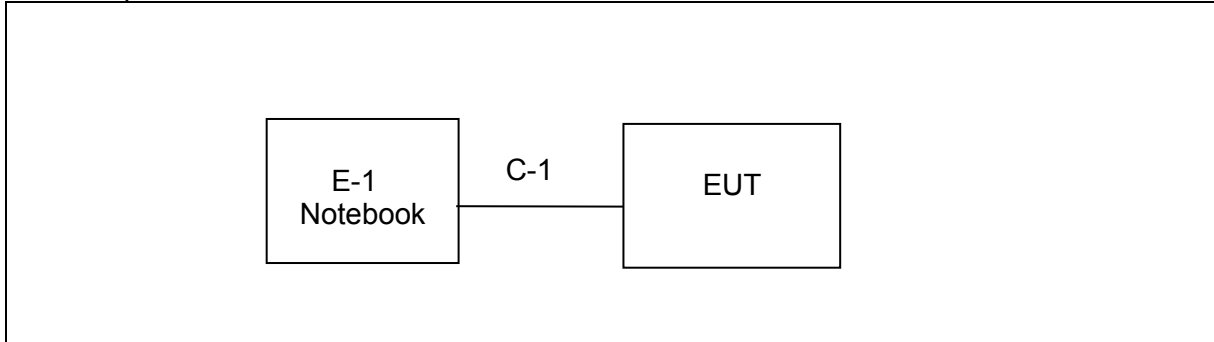
## 2.3 TEST SOFTWARE AND POWER LEVEL

During testing channel & power controlling software provided by the customer was used to control the operating channel as well as the output power level.

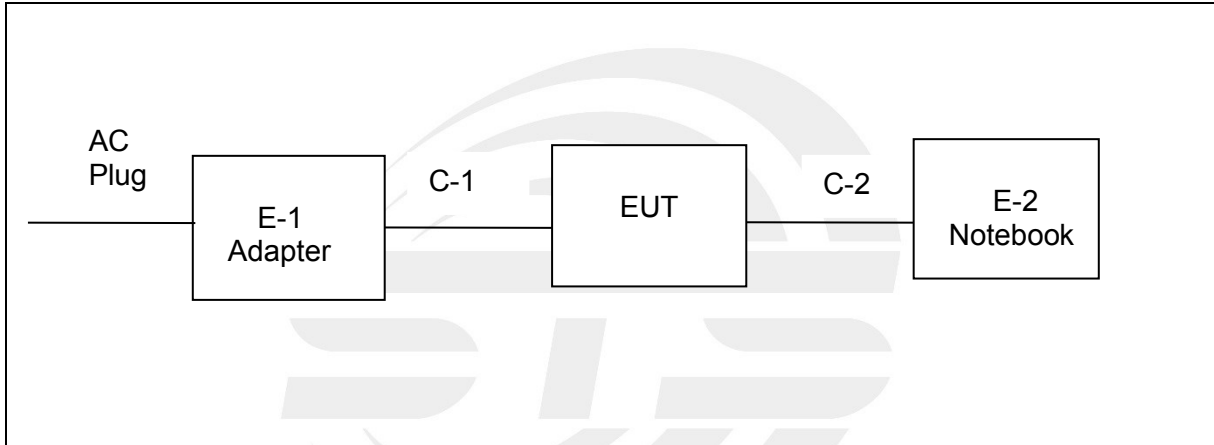
| RF Function | Type      | Mode Or Modulation type | ANT Gain(dBi) | Power Class | Software For Testing |
|-------------|-----------|-------------------------|---------------|-------------|----------------------|
| WIFI(2.4G)  | 2.4G WIFI | 802.11b                 | -2.8          | 10          | QRCT                 |
|             |           | 802.11g                 |               | 10          |                      |
|             |           | 802.11n(HT20)           |               | 10          |                      |
|             |           | 802.11n(HT40)           |               | 0           |                      |

## 2.4 BLOCK DIAGRAM SHOWING THE CONFIGURATION OF SYSTEM TESTED

### Radiated Spurious Emission Test



### Conducted Emission Test





## 2.5 DESCRIPTION OF NECESSARY ACCESSORIES AND SUPPORT UNITS

The EUT has been tested as an independent unit together with other necessary accessories or support units. The following support units or accessories were used to form a representative test configuration during the tests.

### Necessary accessories

| Item | Equipment | Mfr/Brand     | Model/Type No. | Length | Note |
|------|-----------|---------------|----------------|--------|------|
| E-1  | Adapter   | ADAPTER TECH. | ATM012T-W052VU | N/A    | N/A  |
| C-1  | DC Cable  | N/A           | N/A            | 100cm  | NO   |
|      |           |               |                |        |      |
|      |           |               |                |        |      |

### Support units

| Item | Equipment | Mfr/Brand | Model/Type No. | Length | Note |
|------|-----------|-----------|----------------|--------|------|
| E-2  | Notebook  | LENOVO    | ThinkPad E470  | N/A    | N/A  |
| C-2  | USB Cable | N/A       | N/A            | 150cm  | NO   |
|      |           |           |                |        |      |
|      |           |           |                |        |      |

#### Note:

- (1) For detachable type I/O cable should be specified the length in cm in 『Length』 column.
- (2) “YES” is means “with core”; “NO” is means “without core”.



## 2.6 EQUIPMENTS LIST FOR ALL TEST ITEMS

## Radiation Test equipment

| Kind of Equipment                | Manufacturer | Type No.                   | Serial No.   | Last calibration | Calibrated until |
|----------------------------------|--------------|----------------------------|--------------|------------------|------------------|
| Test Receiver                    | R&S          | ESCI                       | 101427       | 2021.09.30       | 2022.09.29       |
| Signal Analyzer                  | R&S          | FSV 40-N                   | 101823       | 2021.09.30       | 2022.09.29       |
| Active loop Antenna              | ZHINAN       | ZN30900C                   | 16035        | 2021.04.11       | 2023.04.10       |
| Bilog Antenna                    | TESEQ        | CBL6111D                   | 34678        | 2020.10.12       | 2022.10.11       |
| Horn Antenna                     | SCHWARZBECK  | BBHA 9120D                 | 02014        | 2021.10.11       | 2023.10.10       |
| SHF-EHF Horn Antenna (18G-40GHz) | A-INFO       | LB-180400-KF               | J211020657   | 2020.10.12       | 2022.10.11       |
| Pre-Amplifier (0.1M-3GHz)        | EM           | EM330                      | 060665       | 2021.10.08       | 2022.10.07       |
| Pre-Amplifier (1G-18GHz)         | SKET         | LNPA-01018G-45             | SK2018080901 | 2021.09.30       | 2022.09.29       |
| Pre-Amplifier (18G-40GHz)        | SKET         | LNPA-1840-50               | SK2018101801 | 2021.09.28       | 2022.09.27       |
| Temperature & Humidity           | HH660        | Mieo                       | N/A          | 2021.10.09       | 2022.10.08       |
| Turn table                       | EM           | SC100_1                    | 60531        | N/A              | N/A              |
| Antenna mast                     | EM           | SC100                      | N/A          | N/A              | N/A              |
| Test SW                          | FARAD        | EZ-EMC(Ver.STSLAB-03A1 RE) |              |                  |                  |

## Conduction Test equipment

| Kind of Equipment      | Manufacturer | Type No.                   | Serial No. | Last calibration | Calibrated until |
|------------------------|--------------|----------------------------|------------|------------------|------------------|
| Test Receiver          | R&S          | ESCI                       | 101427     | 2021.09.30       | 2022.09.29       |
| LISN                   | R&S          | ENV216                     | 101242     | 2021.09.30       | 2022.09.29       |
| LISN                   | EMCO         | 3810/2NM                   | 23625      | 2021.09.30       | 2022.09.29       |
| Temperature & Humidity | HH660        | Mieo                       | N/A        | 2021.10.09       | 2022.10.08       |
| Test SW                | FARAD        | EZ-EMC(Ver.STSLAB-03A1 CE) |            |                  |                  |



## RF Connected Test

| Kind of Equipment      | Manufacturer | Type No.                   | Serial No. | Last calibration | Calibrated until |
|------------------------|--------------|----------------------------|------------|------------------|------------------|
| Power Sensor           | Keysight     | U2021XA                    | MY55520005 | 2021.09.30       | 2022.09.29       |
|                        |              |                            | MY55520006 | 2021.09.30       | 2022.09.29       |
|                        |              |                            | MY56120038 | 2021.09.30       | 2022.09.29       |
|                        |              |                            | MY56280002 | 2021.09.30       | 2022.09.29       |
| Signal Analyzer        | Agilent      | N9020A                     | MY51110105 | 2021.03.04       | 2022.03.03       |
| Temperature & Humidity | HH660        | Mieo                       | N/A        | 2021.10.09       | 2022.10.08       |
| Test SW                | FARAD        | EZ-EMC(Ver.STSLAB-03A1 RE) |            |                  |                  |





### 3. EMC EMISSION TEST

#### 3.1 CONDUCTED EMISSION MEASUREMENT

##### 3.1.1 POWER LINE CONDUCTED EMISSION LIMITS

The radio frequency voltage that is conducted back onto the AC power line on any frequency or frequencies, within the band 150 kHz to 30 MHz, shall not exceed the limits in the following table.

| FREQUENCY (MHz) | Conducted Emissionlimit (dBuV) |           |
|-----------------|--------------------------------|-----------|
|                 | Quasi-peak                     | Average   |
| 0.15 -0.5       | 66 - 56 *                      | 56 - 46 * |
| 0.50 -5.0       | 56.00                          | 46.00     |
| 5.0 -30.0       | 60.00                          | 50.00     |

Note:

- (1) The tighter limit applies at the band edges.
- (2) The limit of “ \* ” marked band means the limitation decreases linearly with the logarithm of the frequency in the range.

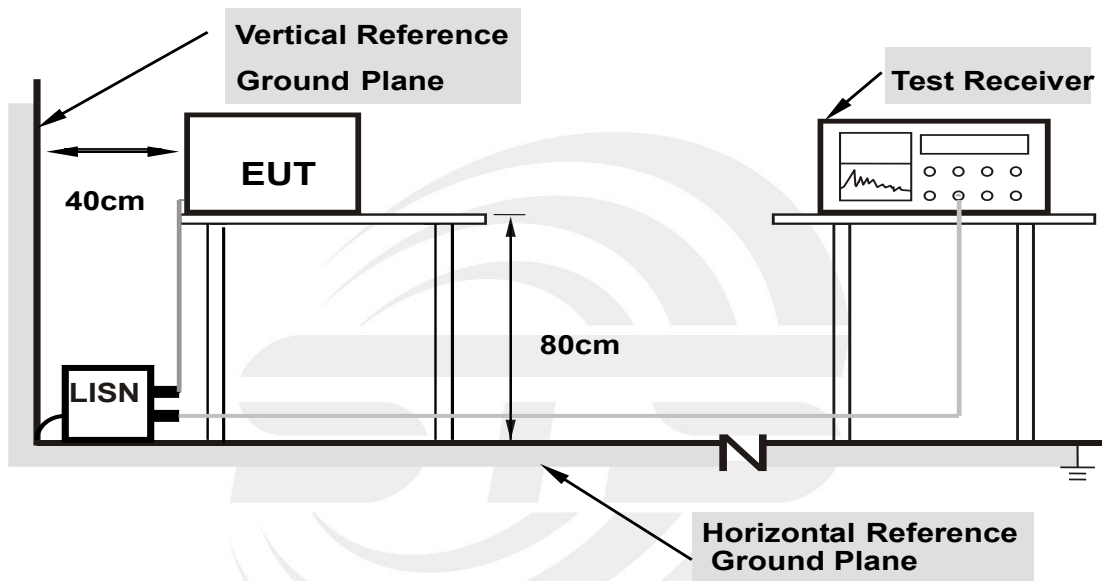
The following table is the setting of the receiver

| Receiver Parameters | Setting  |
|---------------------|----------|
| Attenuation         | 10 dB    |
| Start Frequency     | 0.15 MHz |
| Stop Frequency      | 30 MHz   |
| IF Bandwidth        | 9 kHz    |

### 3.1.2 TEST PROCEDURE

- a. The EUT is 0.8 m from the horizontal ground plane and 0.4 m from the vertical ground plane with EUT being connected to the power mains through a line impedance stabilization network (LISN). All other support equipments are powered from additional LISN(s). The LISN provides 50 Ohm/ 50uH of coupling impedance for the measuring instrument.
- b. Interconnecting cables that hang closer than 40 cm to the ground plane shall be folded back and forth in the center forming a bundle 30 to 40 cm long.
- c. I/O cables that are not connected to a peripheral shall be bundled in the center. The end of the cable may be terminated, if required, using the correct terminating impedance. The overall length shall not exceed 1 m.
- d. LISN is at least 80 cm from the nearest part of EUT chassis.
- e. For the actual test configuration, please refer to the related Item –EUT Test Photos.

### 3.1.3 TEST SETUP



- Note: 1. Support units were connected to second LISN.**  
**2. Both of LISNs (AMN) are 80 cm from EUT and at least 80 cm from other units and other metal planes support units.**

### 3.1.4 EUT OPERATING CONDITIONS

The EUT was configured for testing in a typical fashion (as a customer would normally use it). The EUT has been programmed to continuously transmit during test. This operating condition was tested and used to collect the included data.



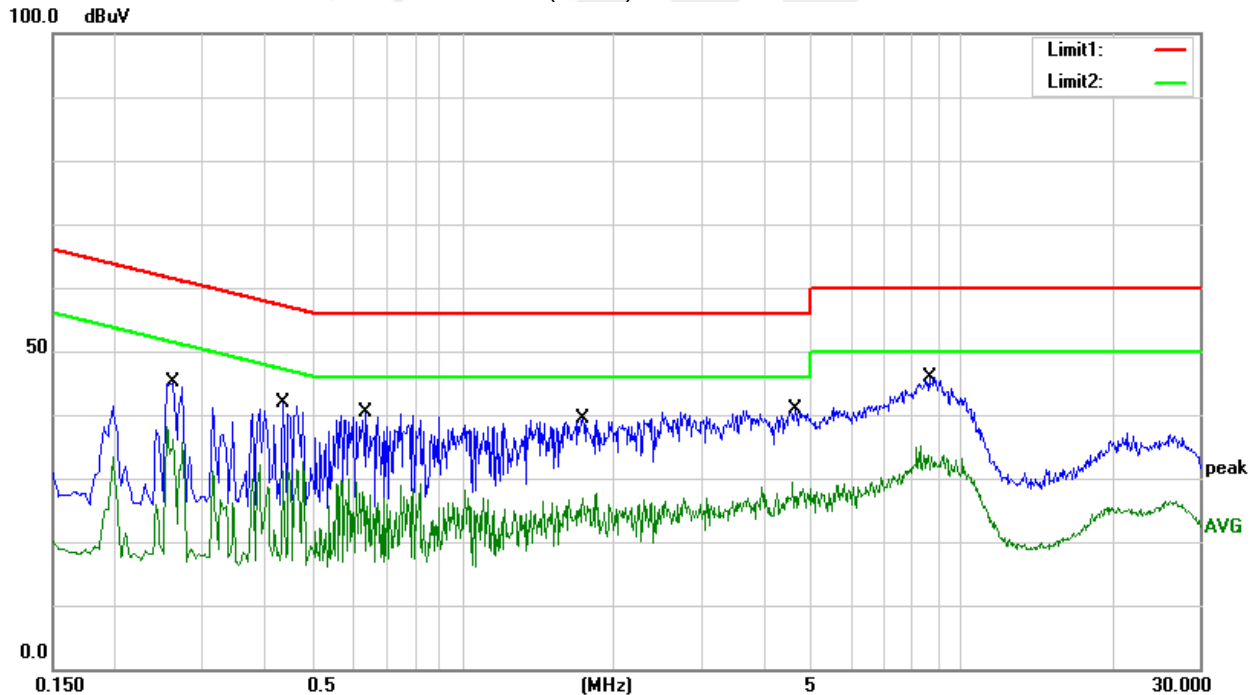
3.1.5 TEST RESULT

|               |              |                    |       |
|---------------|--------------|--------------------|-------|
| Temperature:  | 23.6(C)      | Relative Humidity: | 44%RH |
| Test Voltage: | AC 120V/60Hz | Phase:             | L     |
| Test Mode:    | Mode 13      |                    |       |

| No. | Frequency (MHz) | Reading (dBuV) | Correct Factor(dB) | Result (dBuV) | Limit (dBuV) | Margin (dB) | Remark |
|-----|-----------------|----------------|--------------------|---------------|--------------|-------------|--------|
| 1   | 0.2620          | 24.43          | 20.58              | 45.01         | 61.37        | -16.36      | QP     |
| 2   | 0.2620          | 17.65          | 20.58              | 38.23         | 51.37        | -13.14      | AVG    |
| 3   | 0.4340          | 21.27          | 20.54              | 41.81         | 57.18        | -15.37      | QP     |
| 4   | 0.4340          | 11.49          | 20.54              | 32.03         | 47.18        | -15.15      | AVG    |
| 5   | 0.6380          | 19.96          | 20.41              | 40.37         | 56.00        | -15.63      | QP     |
| 6   | 0.6380          | 9.51           | 20.41              | 29.92         | 46.00        | -16.08      | AVG    |
| 7   | 1.7380          | 19.02          | 20.30              | 39.32         | 56.00        | -16.68      | QP     |
| 8   | 1.7380          | 7.31           | 20.30              | 27.61         | 46.00        | -18.39      | AVG    |
| 9   | 4.6340          | 20.35          | 20.44              | 40.79         | 56.00        | -15.21      | QP     |
| 10  | 4.6340          | 8.86           | 20.44              | 29.30         | 46.00        | -16.70      | AVG    |
| 11  | 8.6060          | 25.04          | 20.92              | 45.96         | 60.00        | -14.04      | QP     |
| 12  | 8.6060          | 12.17          | 20.92              | 33.09         | 50.00        | -16.91      | AVG    |

Remark:

1. All readings are Quasi-Peak and Average values
2. Margin = Result (Result =Reading + Factor )–Limit
3. Factor=LISN factor+Cable loss+Limiter (10dB)





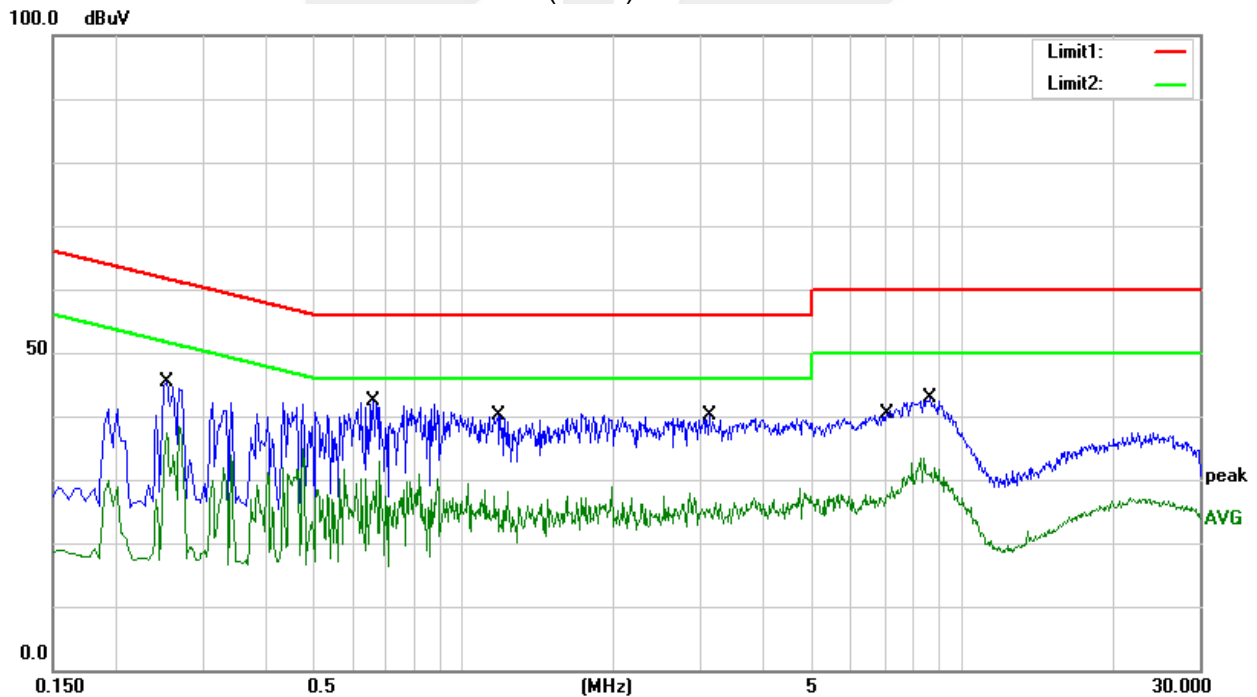


|               |              |                    |       |
|---------------|--------------|--------------------|-------|
| Temperature:  | 23.6(C)      | Relative Humidity: | 44%RH |
| Test Voltage: | AC 120V/60Hz | Phase:             | N     |
| Test Mode:    | Mode 13      |                    |       |

| No. | Frequency (MHz) | Reading (dBuV) | Correct Factor(dB) | Result (dBuV) | Limit (dBuV) | Margin (dB) | Remark |
|-----|-----------------|----------------|--------------------|---------------|--------------|-------------|--------|
| 1   | 0.2540          | 24.96          | 20.54              | 45.50         | 61.63        | -16.13      | QP     |
| 2   | 0.2540          | 17.78          | 20.54              | 38.32         | 51.63        | -13.31      | AVG    |
| 3   | 0.6580          | 22.09          | 20.39              | 42.48         | 56.00        | -13.52      | QP     |
| 4   | 0.6580          | 14.45          | 20.39              | 34.84         | 46.00        | -11.16      | AVG    |
| 5   | 1.1740          | 19.85          | 20.30              | 40.15         | 56.00        | -15.85      | QP     |
| 6   | 1.1740          | 8.04           | 20.30              | 28.34         | 46.00        | -17.66      | AVG    |
| 7   | 3.1220          | 19.67          | 20.35              | 40.02         | 56.00        | -15.98      | QP     |
| 8   | 3.1220          | 7.58           | 20.35              | 27.93         | 46.00        | -18.07      | AVG    |
| 9   | 7.0780          | 19.81          | 20.60              | 40.41         | 60.00        | -19.59      | QP     |
| 10  | 7.0780          | 7.07           | 20.60              | 27.67         | 50.00        | -22.33      | AVG    |
| 11  | 8.6420          | 21.83          | 20.92              | 42.75         | 60.00        | -17.25      | QP     |
| 12  | 8.6420          | 4.63           | 20.92              | 25.55         | 50.00        | -24.45      | AVG    |

Remark:

1. All readings are Quasi-Peak and Average values
2. Margin = Result (Result =Reading + Factor )–Limit
3. Factor=LISN factor+Cable loss+Limiter (10dB)





### 3.2 RADIATED EMISSION MEASUREMENT

#### 3.2.1 RADIATED EMISSION LIMITS

In any 100 kHz bandwidth outside the operating frequency band. In case the emission fall within the Restricted band specified on Part15.205(a)&209(a) limit in the table and according to ANSI C63.10-2013 below has to be followed.

LIMITS OF RADIATED EMISSION MEASUREMENT (0.009MHz - 1000MHz)

| Frequencies (MHz) | Field Strength (micovolts/meter) | Measurement Distance (meters) |
|-------------------|----------------------------------|-------------------------------|
| 0.009~0.490       | 2400/F(KHz)                      | 300                           |
| 0.490~1.705       | 24000/F(KHz)                     | 30                            |
| 1.705~30.0        | 30                               | 30                            |
| 30~88             | 100                              | 3                             |
| 88~216            | 150                              | 3                             |
| 216~960           | 200                              | 3                             |
| Above 960         | 500                              | 3                             |

LIMITS OF RADIATED EMISSION MEASUREMENT (1000MHz-25GHz)

| FREQUENCY (MHz) | (dBuV/m) (at 3M) |         |
|-----------------|------------------|---------|
|                 | PEAK             | AVERAGE |
| Above 1000      | 74               | 54      |

Notes:

- (1) The limit for radiated test was performed according to FCC PART 15C.
- (2) The tighter limit applies at the band edges.
- (3) Emission level (dBuV/m)=20log Emission level (uV/m).

#### LIMITS OF RESTRICTED FREQUENCY BANDS

| FREQUENCY (MHz)   | FREQUENCY (MHz)     | FREQUENCY (MHz) | FREQUENCY (GHz) |
|-------------------|---------------------|-----------------|-----------------|
| 0.090-0.110       | 16.42-16.423        | 399.9-410       | 4.5-5.15        |
| 0.495-0.505       | 16.69475-16.69525   | 608-614         | 5.35-5.46       |
| 2.1735-2.1905     | 16.80425-16.80475   | 960-1240        | 7.25-7.75       |
| 4.125-4.128       | 25.5-25.67          | 1300-1427       | 8.025-8.5       |
| 4.17725-4.17775   | 37.5-38.25          | 1435-1626.5     | 9.0-9.2         |
| 4.20725-4.20775   | 73-74.6             | 1645.5-1646.5   | 9.3-9.5         |
| 6.215-6.218       | 74.8-75.2           | 1660-1710       | 10.6-12.7       |
| 6.26775-6.26825   | 108-121.94          | 1718.8-1722.2   | 13.25-13.4      |
| 6.31175-6.31225   | 123-138             | 2200-2300       | 14.47-14.5      |
| 8.291-8.294       | 149.9-150.05        | 2310-2390       | 15.35-16.2      |
| 8.362-8.366       | 156.52475-156.52525 | 2483.5-2500     | 17.7-21.4       |
| 8.37625-8.38675   | 156.7-156.9         | 2690-2900       | 22.01-23.12     |
| 8.41425-8.41475   | 162.0125-167.17     | 3260-3267       | 23.6-24.0       |
| 12.29-12.293      | 167.72-173.2        | 3332-3339       | 31.2-31.8       |
| 12.51975-12.52025 | 240-285             | 3345.8-3358     | 36.43-36.5      |
| 12.57675-12.57725 | 322-335.4           | 3600-4400       | Above 38.6      |
| 13.36-13.41       |                     |                 |                 |



For Radiated Emission

| Spectrum Parameter                    | Setting   |
|---------------------------------------|---|
| Attenuation                           | Auto  |
| Detector                              | Peak/QP/AV  |
| Start Frequency                       | 9 KHz/150KHz(Peak/QP/AV)  |
| Stop Frequency                        | 150KHz/30MHz(Peak/QP/AV)  |
| RB / VB (emission in restricted band) | 200Hz (From 9kHz to 0.15MHz)/<br>9KHz (From 0.15MHz to 30MHz);<br>200Hz (From 9kHz to 0.15MHz)/<br>9KHz (From 0.15MHz to 30MHz) |

| Spectrum Parameter                    | Setting            |
|---------------------------------------|--------------------|
| Attenuation                           | Auto               |
| Detector                              | Peak/QP            |
| Start Frequency                       | 30 MHz(Peak/QP)    |
| Stop Frequency                        | 1000 MHz (Peak/QP) |
| RB / VB (emission in restricted band) | 120 KHz / 300 KHz  |

| Spectrum Parameter                    | Setting                                   |
|---------------------------------------|---|
| Attenuation                           | Auto                                      |
| Detector                              | Peak/AV                                   |
| Start Frequency                       | 1000 MHz(Peak/AV)                         |
| Stop Frequency                        | 10th carrier hamonic(Peak/AV)             |
| RB / VB (emission in restricted band) | 1 MHz / 3 MHz(Peak)<br>1 MHz/1/T MHz(AVG) |

For Restricted band

| Spectrum Parameter   | Setting  |
|----------------------|--|
| Detector             | Peak/AV  |
| Start/Stop Frequency | Lower Band Edge: 2310 to 2430 MHz<br>Upper Band Edge: 2445 to 2500 MHz |
| RB / VB              | 1 MHz / 3 MHz(Peak)<br>1 MHz/1/T MHz(AVG)                              |



| Receiver Parameter     | Setting                              |
|------------------------|--------------------------------------|
| Start ~ Stop Frequency | 9kHz~90kHz / RB 200Hz for PK & AV    |
| Start ~ Stop Frequency | 90kHz~110kHz / RB 200Hz for QP       |
| Start ~ Stop Frequency | 110kHz~490kHz / RB 200Hz for PK & AV |
| Start ~ Stop Frequency | 490kHz~30MHz / RB 9kHz for QP        |
| Start ~ Stop Frequency | 30MHz~1000MHz / RB 120kHz for QP     |

### 3.2.2 TEST PROCEDURE

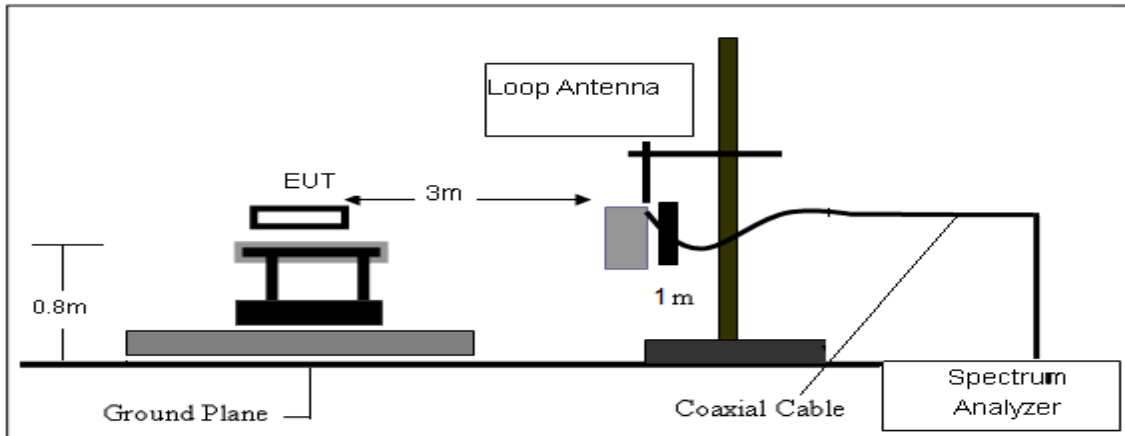
- a. The measuring distance at 3 m shall be used for measurements at frequency 0.009MHz up to 1GHz, and above 1GHz.
- b. The EUT was placed on the top of a rotating table 0.8 m (above 1GHz is 1.5 m) above the ground at a 3 m anechoic chamber test site. The table was rotated 360 degree to determine the position of the highest radiation.
- c. The height of the equipment shall be 0.8 m (above 1GHz is 1.5 m); the height of the test antenna shall vary between 1 m to 4 m. Horizontal and vertical polarization of the antenna are set to make the measurement.
- d. The initial step in collecting conducted emission data is a spectrum analyzer peak detector mode pre-scanning the measurement frequency range. Significant peaks are then marked and QuasiPeak detector mode will be re-measured.
- e. If the Peak Mode measured value is compliance with and lower than Quasi Peak Mode Limit, the EUT shall be deemed to meet QP Limits and no additional QP Mode measurement was performed.
- f. For the actual test configuration, please refer to the related Item –EUT Test Photos.

Note:

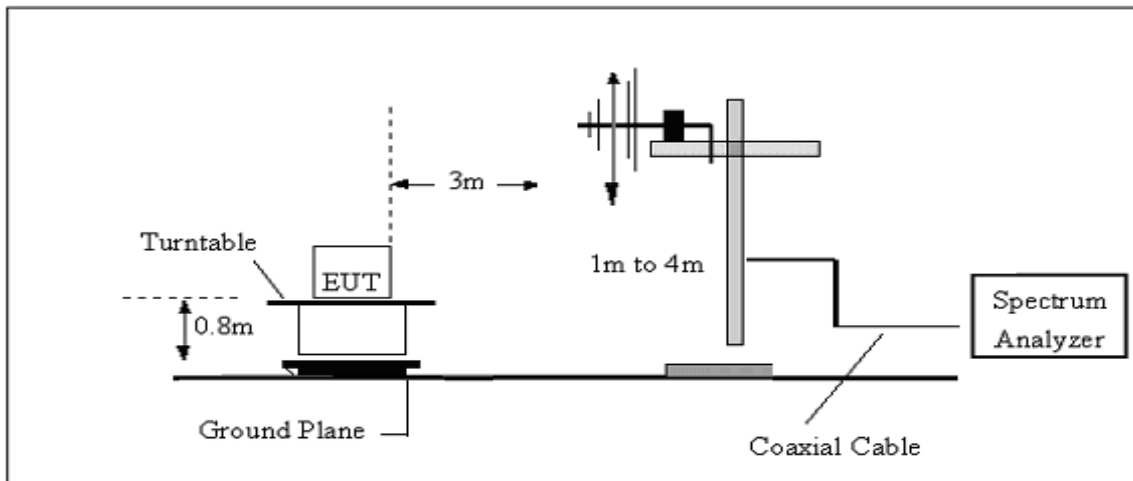
Both horizontal and vertical antenna polarities were tested and performed pretest to three orthogonal axis. The worst case emissions were reported.

### 3.2.3 TEST SETUP

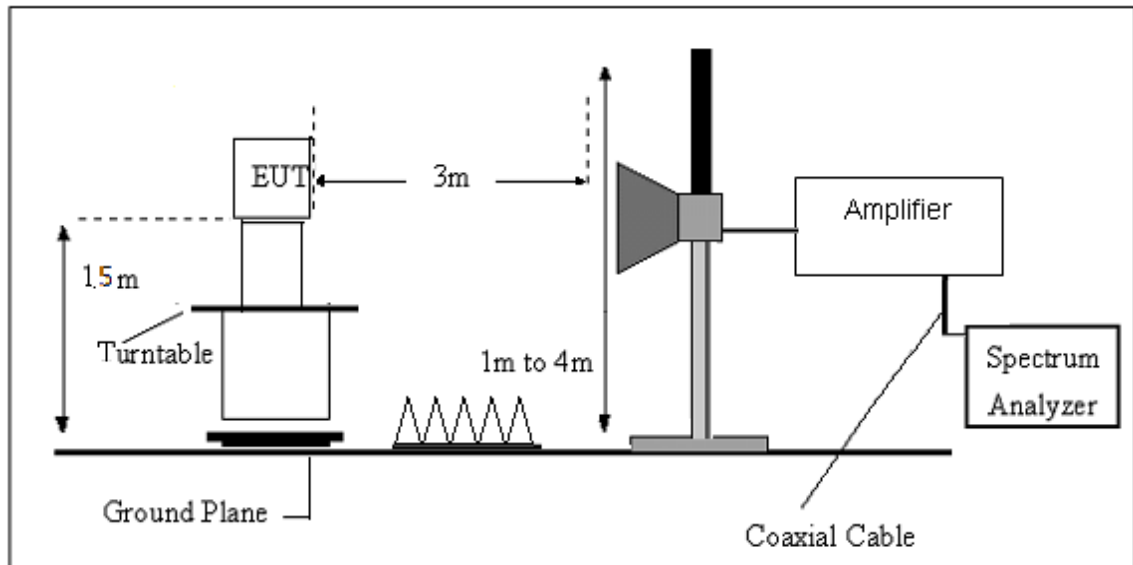
#### (A) Radiated Emission Test-Up Frequency Below 30MHz



#### (B) Radiated Emission Test-Up Frequency 30MHz~1GHz



#### (C) Radiated Emission Test-Up Frequency Above 1GHz



### 3.2.4 EUT OPERATING CONDITIONS

Please refer to section 3.1.4 of this report.



### 3.2.5 FIELD STRENGTH CALCULATION

The field strength is calculated by adding the Antenna Factor and Cable Factor and subtracting the Amplifier Gain and Duty Cycle Correction Factor (if any) from the measured reading. The basic equation with a sample calculation is as follows:

$$FS = RA + AF + CL - AG$$

Where

FS = Field Strength

CL = Cable Attenuation Factor (Cable Loss)

RA = Reading Amplitude

AG = Amplifier Gain

AF = Antenna Factor

For example

| Frequency<br>(MHz) | FS<br>(dB $\mu$ V/m) | RA<br>(dB $\mu$ V/m) | AF<br>(dB) | CL<br>(dB) | AG<br>(dB) | Factor<br>(dB) |
|--------------------|----------------------|----------------------|------------|------------|------------|----------------|
| 300                | 40                   | 58.1                 | 12.2       | 1.6        | 31.9       | -18.1          |

$$\text{Factor} = \text{AF} + \text{CL} - \text{AG}$$





## 3.2.6 TEST RESULT

9KHz-30MHz

|               |         |                    |       |
|---------------|---------|--------------------|-------|
| Temperature:  | 23.1(C) | Relative Humidity: | 60%RH |
| Test Voltage: | DC 3.7V | Polarization:      | --    |
| Test Mode:    | TX Mode |                    |       |

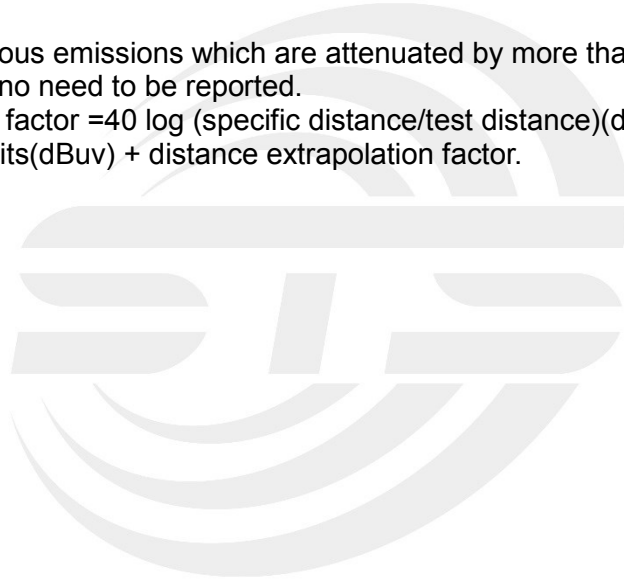
| Freq.<br>(MHz) | Reading<br>(dBuV/m) | Limit<br>(dBuV/m) | Margin<br>(dB) | State<br>P/F | Test<br>Result |
|----------------|---------------------|-------------------|----------------|--------------|----------------|
| --             | --                  | --                | --             | --           | PASS           |
| --             | --                  | --                | --             | --           | PASS           |

## Note:

The amplitude of spurious emissions which are attenuated by more than 20dB below the permissible value has no need to be reported.

Distance extrapolation factor =  $40 \log (\text{specific distance}/\text{test distance})$ (dB);

Limit line = specific limits(dBuv) + distance extrapolation factor.





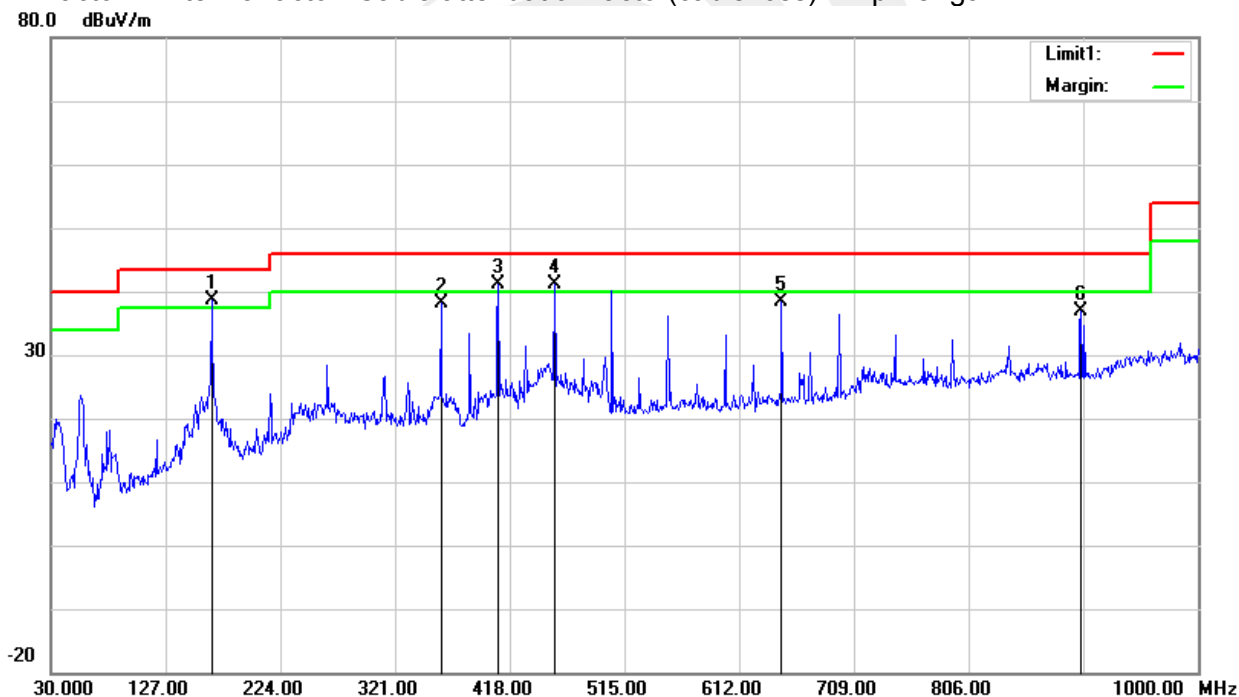
(30MHz - 1000MHz)

|               |  |                    |            |
|---------------|--|--------------------|------------|
| Temperature:  | 23.1(C)  | Relative Humidity: | 60%RH      |
| Test Voltage: | DC 3.7V  | Phase:             | Horizontal |
| Test Mode:    | Mode 1/2/3/4/5/6/7/8/9/10/11/12(Mode 6 worst mode) |                    |            |

| No. | Frequency (MHz) | Reading (dBuV) | Correct Factor(dB/m) | Result (dBuV/m) | Limit (dBuV/m) | Margin (dB) | Remark |
|-----|-----------------|----------------|----------------------|-----------------|----------------|-------------|--------|
| 1   | 165.8000        | 58.14          | -19.40               | 38.74           | 43.50          | -4.76       | QP     |
| 2   | 359.8000        | 51.12          | -12.87               | 38.25           | 46.00          | -7.75       | QP     |
| 3   | 408.3000        | 51.90          | -10.66               | 41.24           | 46.00          | -4.76       | QP     |
| 4   | 455.8300        | 50.71          | -9.55                | 41.16           | 46.00          | -4.84       | QP     |
| 5   | 647.8900        | 43.17          | -4.88                | 38.29           | 46.00          | -7.71       | QP     |
| 6   | 901.0600        | 37.28          | -0.43                | 36.85           | 46.00          | -9.15       | QP     |

Remark:

- Margin = Result (Result =Reading + Factor )–Limit
- Factor= Antenna factor+Cable attenuation factor(cable loss)-Amplifier gain







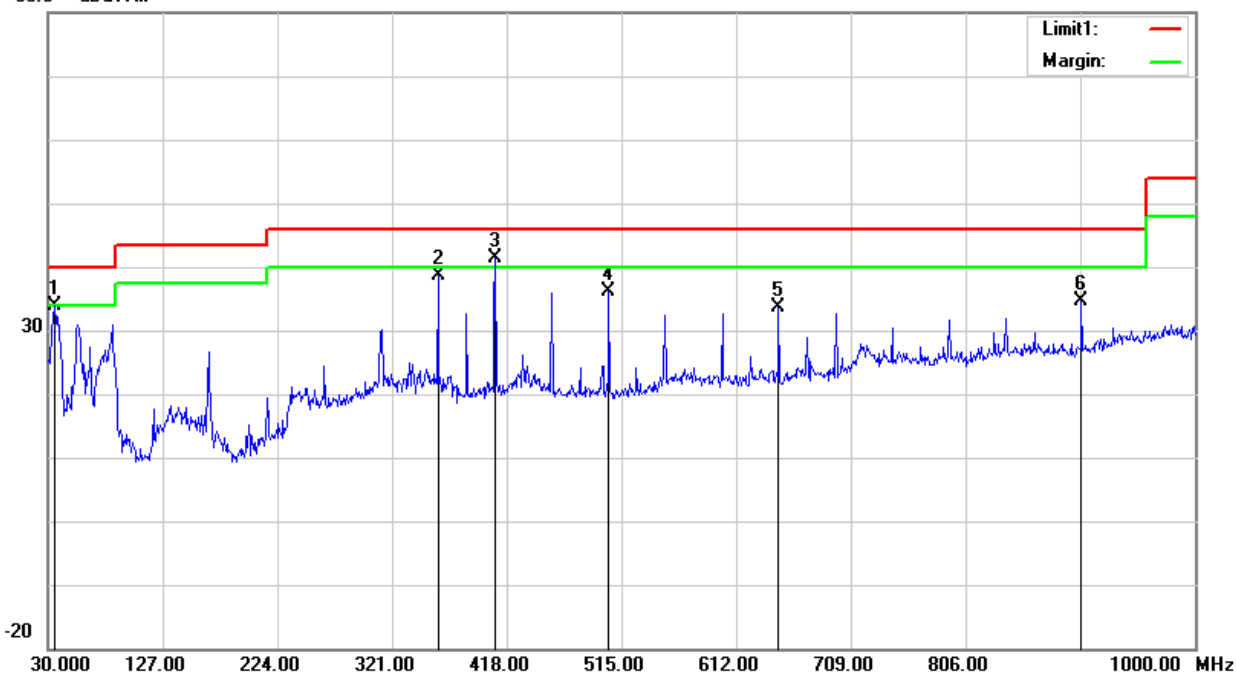
|               |  |                    |          |
|---------------|--|--------------------|----------|
| Temperature:  | 23.1(C)  | Relative Humidity: | 60%RH    |
| Test Voltage: | DC 3.7V  | Phase:             | Vertical |
| Test Mode:    | Mode 1/2/3/4/5/6/7/8/9/10/11/12(Mode 6 worst mode) |                    |          |

| No. | Frequency (MHz) | Reading (dBuV) | Correct Factor(dB/m) | Result (dBuV/m) | Limit (dBuV/m) | Margin (dB) | Remark |
|-----|-----------------|----------------|----------------------|-----------------|----------------|-------------|--------|
| 1   | 35.8200         | 49.70          | -15.91               | 33.79           | 40.00          | -6.21       | QP     |
| 2   | 359.8000        | 51.54          | -12.87               | 38.67           | 46.00          | -7.33       | QP     |
| 3   | 408.3000        | 52.13          | -10.66               | 41.47           | 46.00          | -4.53       | QP     |
| 4   | 504.3300        | 44.11          | -7.98                | 36.13           | 46.00          | -9.87       | QP     |
| 5   | 647.8900        | 38.56          | -4.88                | 33.68           | 46.00          | -12.32      | QP     |
| 6   | 903.9700        | 35.02          | -0.34                | 34.68           | 46.00          | -11.32      | QP     |

Remark:.

1. Margin = Result (Result =Reading + Factor )-Limit
2. Factor= Antenna factor+Cable attenuation factor(cable loss)-Amplifier gain

80.0 dBuV/m





(1000MHz-25GHz) Spurious emission Requirements

802.11 g

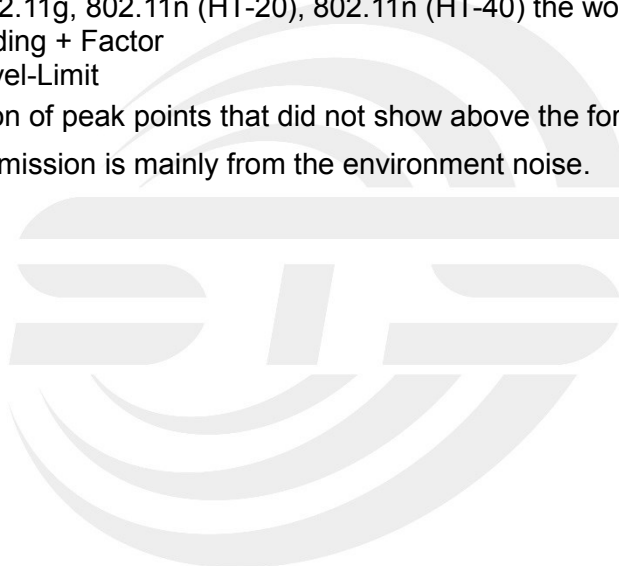
| Frequency<br>(MHz)                | Meter Reading<br>(dBμV) | Amplifier<br>(dB) | Loss<br>(dB) | Antenna Factor<br>(dB/m) | Corrected Factor<br>(dB) | Emission Level<br>(dBμV/m) | Limits<br>(dBμV/m) | Margin<br>(dB) | Detector<br>Type | Comment    |
|-----------------------------------|-------------------------|-------------------|--------------|--------------------------|--------------------------|----------------------------|--------------------|----------------|------------------|------------|
| Low Channel (802.11g/2442 MHz)    |                         |                   |              |                          |                          |                            |                    |                |                  |            |
| 3264.68                           | 62.21                   | 44.70             | 6.70         | 28.20                    | -9.80                    | 52.41                      | 74.00              | -21.59         | PK               | Vertical   |
| 3264.68                           | 50.50                   | 44.70             | 6.70         | 28.20                    | -9.80                    | 40.70                      | 54.00              | -13.30         | AV               | Vertical   |
| 3264.81                           | 61.46                   | 44.70             | 6.70         | 28.20                    | -9.80                    | 51.66                      | 74.00              | -22.34         | PK               | Horizontal |
| 3264.81                           | 50.56                   | 44.70             | 6.70         | 28.20                    | -9.80                    | 40.76                      | 54.00              | -13.24         | AV               | Horizontal |
| 4824.50                           | 58.67                   | 44.20             | 9.04         | 31.60                    | -3.56                    | 55.11                      | 74.00              | -18.89         | PK               | Vertical   |
| 4824.50                           | 49.47                   | 44.20             | 9.04         | 31.60                    | -3.56                    | 45.91                      | 54.00              | -8.09          | AV               | Vertical   |
| 4824.52                           | 58.28                   | 44.20             | 9.04         | 31.60                    | -3.56                    | 54.72                      | 74.00              | -19.28         | PK               | Horizontal |
| 4824.52                           | 50.46                   | 44.20             | 9.04         | 31.60                    | -3.56                    | 46.90                      | 54.00              | -7.10          | AV               | Horizontal |
| 5359.86                           | 48.17                   | 44.20             | 9.86         | 32.00                    | -2.34                    | 45.83                      | 74.00              | -28.17         | PK               | Vertical   |
| 5359.86                           | 39.22                   | 44.20             | 9.86         | 32.00                    | -2.34                    | 36.87                      | 54.00              | -17.13         | AV               | Vertical   |
| 5359.63                           | 48.07                   | 44.20             | 9.86         | 32.00                    | -2.34                    | 45.73                      | 74.00              | -28.27         | PK               | Horizontal |
| 5359.63                           | 38.59                   | 44.20             | 9.86         | 32.00                    | -2.34                    | 36.24                      | 54.00              | -17.76         | AV               | Horizontal |
| 7235.85                           | 54.88                   | 43.50             | 11.40        | 35.50                    | 3.40                     | 58.28                      | 74.00              | -15.72         | PK               | Vertical   |
| 7235.85                           | 44.63                   | 43.50             | 11.40        | 35.50                    | 3.40                     | 48.03                      | 54.00              | -5.97          | AV               | Vertical   |
| 7235.78                           | 54.33                   | 43.50             | 11.40        | 35.50                    | 3.40                     | 57.73                      | 74.00              | -16.27         | PK               | Horizontal |
| 7235.78                           | 44.00                   | 43.50             | 11.40        | 35.50                    | 3.40                     | 47.40                      | 54.00              | -6.60          | AV               | Horizontal |
| Middle Channel (802.11g/2437 MHz) |                         |                   |              |                          |                          |                            |                    |                |                  |            |
| 3264.75                           | 62.14                   | 44.70             | 6.70         | 28.20                    | -9.80                    | 52.34                      | 74.00              | -21.66         | PK               | Vertical   |
| 3264.75                           | 51.03                   | 44.70             | 6.70         | 28.20                    | -9.80                    | 41.23                      | 54.00              | -12.77         | AV               | Vertical   |
| 3264.71                           | 61.14                   | 44.70             | 6.70         | 28.20                    | -9.80                    | 51.34                      | 74.00              | -22.66         | PK               | Horizontal |
| 3264.71                           | 50.02                   | 44.70             | 6.70         | 28.20                    | -9.80                    | 40.22                      | 54.00              | -13.78         | AV               | Horizontal |
| 4874.57                           | 58.67                   | 44.20             | 9.04         | 31.60                    | -3.56                    | 55.11                      | 74.00              | -18.89         | PK               | Vertical   |
| 4874.57                           | 50.14                   | 44.20             | 9.04         | 31.60                    | -3.56                    | 46.58                      | 54.00              | -7.42          | AV               | Vertical   |
| 4874.58                           | 59.05                   | 44.20             | 9.04         | 31.60                    | -3.56                    | 55.49                      | 74.00              | -18.51         | PK               | Horizontal |
| 4874.58                           | 50.21                   | 44.20             | 9.04         | 31.60                    | -3.56                    | 46.65                      | 54.00              | -7.35          | AV               | Horizontal |
| 5359.78                           | 49.35                   | 44.20             | 9.86         | 32.00                    | -2.34                    | 47.00                      | 74.00              | -27.00         | PK               | Vertical   |
| 5359.78                           | 40.15                   | 44.20             | 9.86         | 32.00                    | -2.34                    | 37.80                      | 54.00              | -16.20         | AV               | Vertical   |
| 5359.62                           | 48.03                   | 44.20             | 9.86         | 32.00                    | -2.34                    | 45.68                      | 74.00              | -28.32         | PK               | Horizontal |
| 5359.62                           | 39.41                   | 44.20             | 9.86         | 32.00                    | -2.34                    | 37.07                      | 54.00              | -16.93         | AV               | Horizontal |
| 7310.80                           | 53.97                   | 43.50             | 11.40        | 35.50                    | 3.40                     | 57.37                      | 74.00              | -16.63         | PK               | Vertical   |
| 7310.80                           | 44.19                   | 43.50             | 11.40        | 35.50                    | 3.40                     | 47.59                      | 54.00              | -6.41          | AV               | Vertical   |
| 7310.95                           | 54.97                   | 43.50             | 11.40        | 35.50                    | 3.40                     | 58.37                      | 74.00              | -15.63         | PK               | Horizontal |
| 7310.95                           | 44.60                   | 43.50             | 11.40        | 35.50                    | 3.40                     | 48.00                      | 54.00              | -6.00          | AV               | Horizontal |



| High Channel (802.11g/2462 MHz) |       |       |       |       |       |       |       |        |    |            |
|---------------------------------|-------|-------|-------|-------|-------|-------|-------|--------|----|------------|
| 3264.72                         | 61.17 | 44.70 | 6.70  | 28.20 | -9.80 | 51.37 | 74.00 | -22.63 | PK | Vertical   |
| 3264.72                         | 50.76 | 44.70 | 6.70  | 28.20 | -9.80 | 40.96 | 54.00 | -13.04 | AV | Vertical   |
| 3264.77                         | 61.90 | 44.70 | 6.70  | 28.20 | -9.80 | 52.10 | 74.00 | -21.90 | PK | Horizontal |
| 3264.77                         | 50.63 | 44.70 | 6.70  | 28.20 | -9.80 | 40.83 | 54.00 | -13.17 | AV | Horizontal |
| 4924.33                         | 59.46 | 44.20 | 9.04  | 31.60 | -3.56 | 55.90 | 74.00 | -18.10 | PK | Vertical   |
| 4924.33                         | 49.64 | 44.20 | 9.04  | 31.60 | -3.56 | 46.08 | 54.00 | -7.92  | AV | Vertical   |
| 4924.35                         | 58.82 | 44.20 | 9.04  | 31.60 | -3.56 | 55.26 | 74.00 | -18.74 | PK | Horizontal |
| 4924.35                         | 49.84 | 44.20 | 9.04  | 31.60 | -3.56 | 46.28 | 54.00 | -7.72  | AV | Horizontal |
| 5359.60                         | 48.25 | 44.20 | 9.86  | 32.00 | -2.34 | 45.90 | 74.00 | -28.10 | PK | Vertical   |
| 5359.60                         | 39.07 | 44.20 | 9.86  | 32.00 | -2.34 | 36.72 | 54.00 | -17.28 | AV | Vertical   |
| 5359.58                         | 47.95 | 44.20 | 9.86  | 32.00 | -2.34 | 45.60 | 74.00 | -28.40 | PK | Horizontal |
| 5359.58                         | 38.13 | 44.20 | 9.86  | 32.00 | -2.34 | 35.78 | 54.00 | -18.22 | AV | Horizontal |
| 7385.70                         | 54.81 | 43.50 | 11.40 | 35.50 | 3.40  | 58.21 | 74.00 | -15.79 | PK | Vertical   |
| 7385.70                         | 43.49 | 43.50 | 11.40 | 35.50 | 3.40  | 46.89 | 54.00 | -7.11  | AV | Vertical   |
| 7385.81                         | 53.82 | 43.50 | 11.40 | 35.50 | 3.40  | 57.22 | 74.00 | -16.78 | PK | Horizontal |
| 7385.81                         | 44.28 | 43.50 | 11.40 | 35.50 | 3.40  | 47.68 | 54.00 | -6.32  | AV | Horizontal |

## Remark:

- Factor = Antenna Factor + Cable Loss – Pre-amplifier.
- Scan with 802.11b, 802.11g, 802.11n (HT-20), 802.11n (HT-40) the worst case is 802.11 g.  
Emission Level = Reading + Factor  
Margin = Emission Level-Limit
- The frequency emission of peak points that did not show above the forms are at least 20dB below the limit, the frequency emission is mainly from the environment noise.

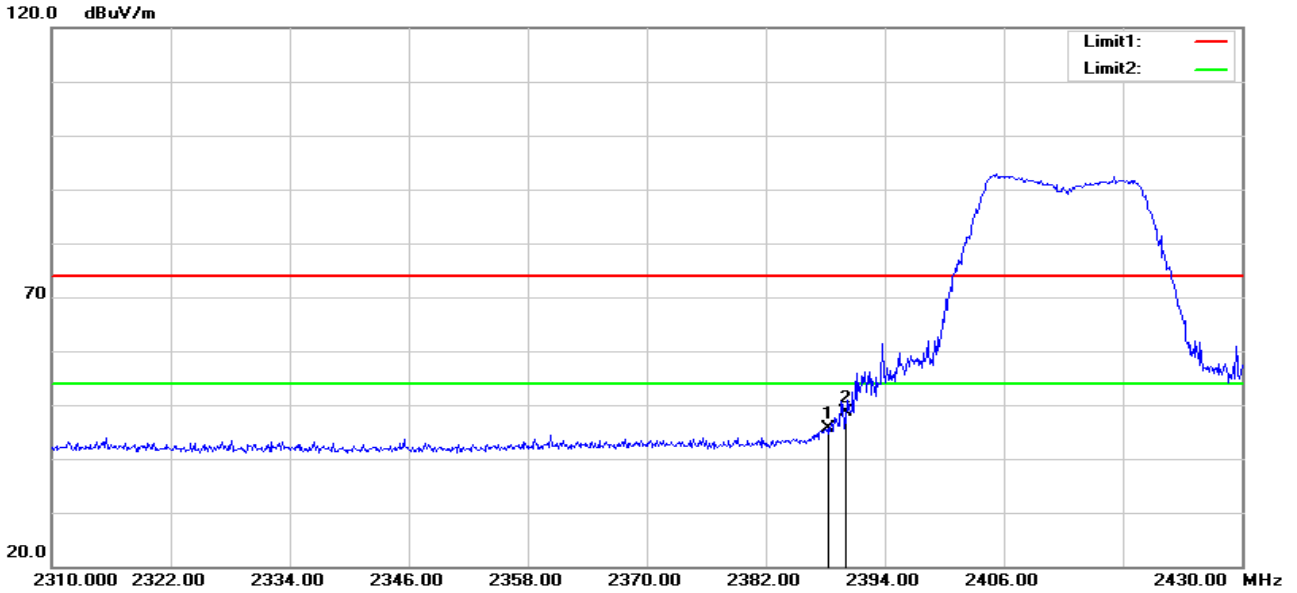




3.2.6 TEST RESULTS(Band edge Requirements)

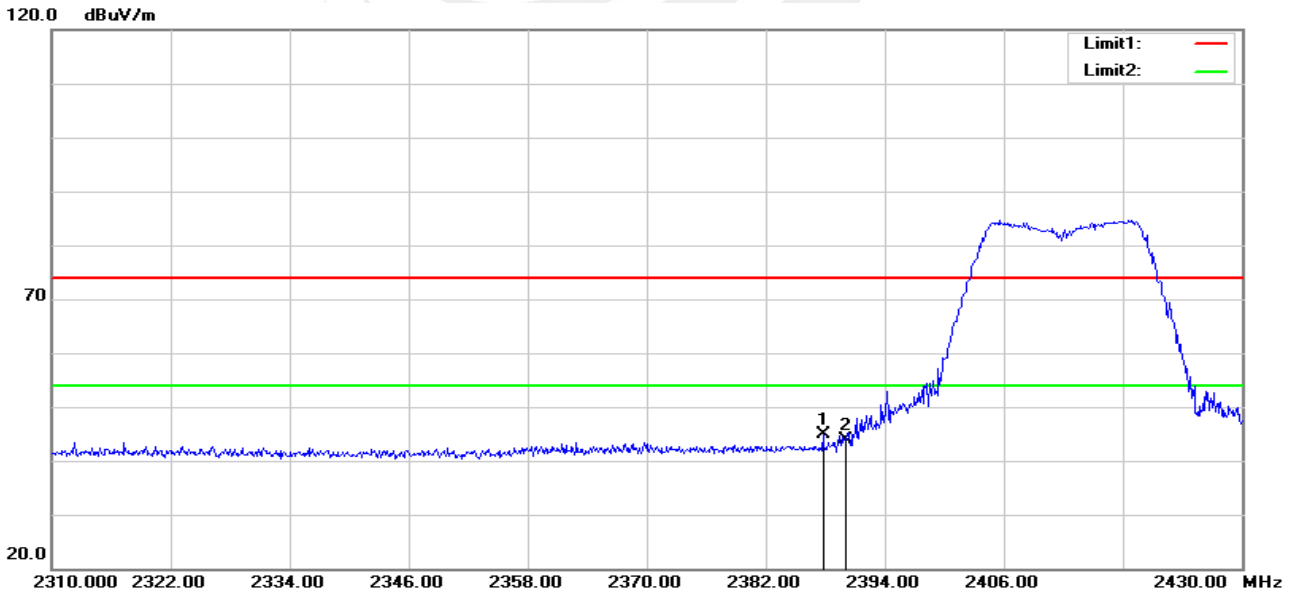
802.11 g-Low

Horizontal



| No. | Frequency (MHz) | Reading (dBuV) | Correct Factor(dB/m) | Result (dBuV/m) | Limit (dBuV/m) | Margin (dB) | Remark |
|-----|-----------------|----------------|----------------------|-----------------|----------------|-------------|--------|
| 1   | 2388.240        | 41.25          | 4.31                 | 45.56           | 74.00          | -28.44      | peak   |
| 2   | 2390.000        | 44.30          | 4.34                 | 48.64           | 74.00          | -25.36      | peak   |

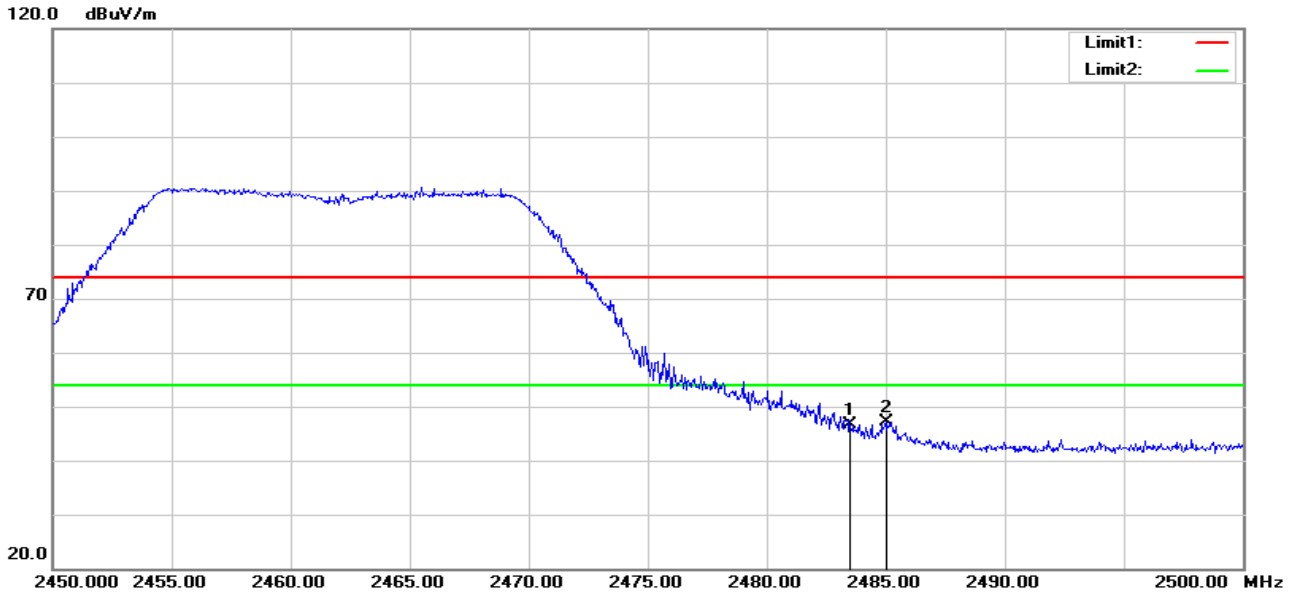
Vertical



| No. | Frequency (MHz) | Reading (dBuV) | Correct Factor(dB/m) | Result (dBuV/m) | Limit (dBuV/m) | Margin (dB) | Remark |
|-----|-----------------|----------------|----------------------|-----------------|----------------|-------------|--------|
| 1   | 2387.760        | 40.64          | 4.31                 | 44.95           | 74.00          | -29.05      | peak   |
| 2   | 2390.000        | 39.63          | 4.34                 | 43.97           | 74.00          | -30.03      | peak   |

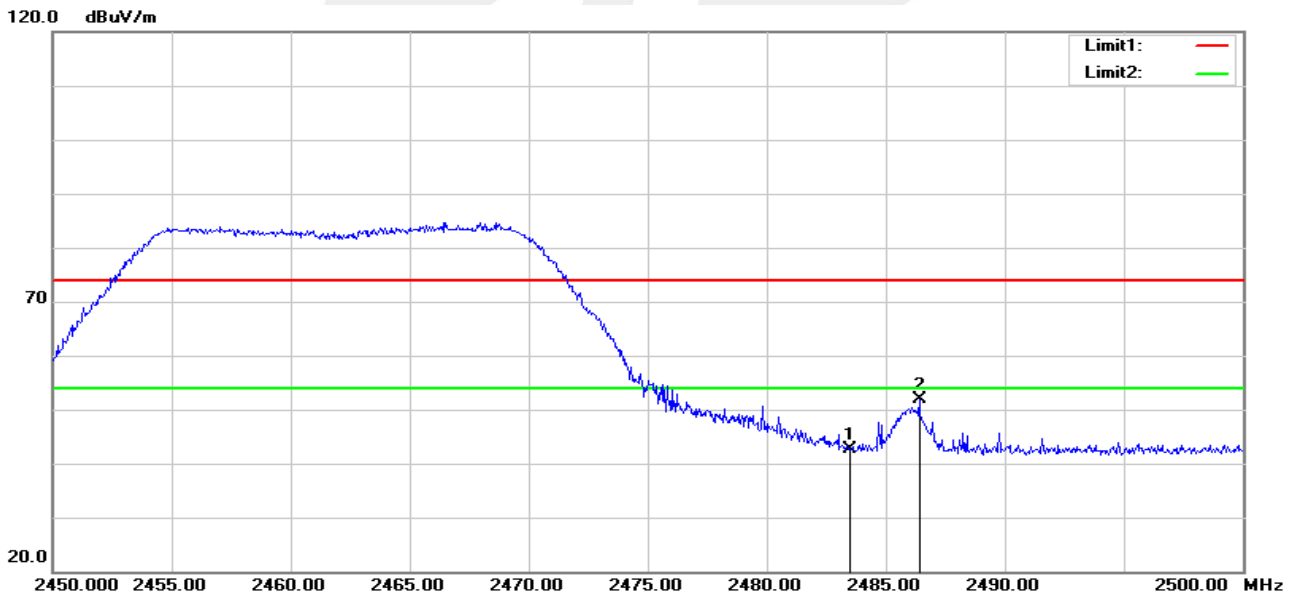


802.11 g-High  
Horizontal



| No. | Frequency (MHz) | Reading (dBuV) | Correct Factor(dB/m) | Result (dBuV/m) | Limit (dBuV/m) | Margin (dB) | Remark |
|-----|-----------------|----------------|----------------------|-----------------|----------------|-------------|--------|
| 1   | 2483.500        | 42.10          | 4.60                 | 46.70           | 74.00          | -27.30      | peak   |
| 2   | 2485.000        | 42.59          | 4.61                 | 47.20           | 74.00          | -26.80      | peak   |

Vertical



| No. | Frequency (MHz) | Reading (dBuV) | Correct Factor(dB/m) | Result (dBuV/m) | Limit (dBuV/m) | Margin (dB) | Remark |
|-----|-----------------|----------------|----------------------|-----------------|----------------|-------------|--------|
| 1   | 2483.500        | 38.05          | 4.60                 | 42.65           | 74.00          | -31.35      | peak   |
| 2   | 2486.400        | 47.18          | 4.61                 | 51.79           | 74.00          | -22.21      | peak   |

Note: 802.11b, 802.11g, 802.11n (HT-20), 802.11n (HT-40) mode all have been tested, the worst case is 802.11 g, only show the worst case.



## APPENDIX-PHOTOS OF TEST SETUP

Note: See test photos in setup photo document for the actual connections between Product and support equipment.

\*\*\*\*\*END OF THE REPORT\*\*\*\*\*

