

**EXHIBIT 3**

**SETUP DRAWINGS OR PHOTOGRAPHS**

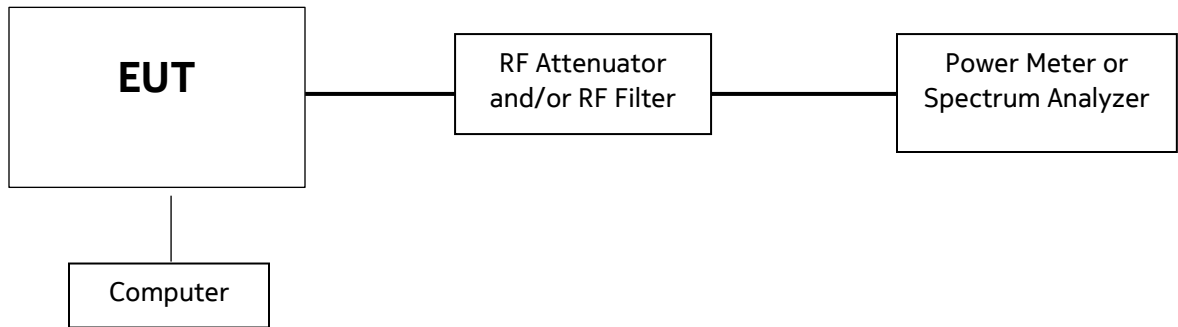
**Test Setup Photos**

**SECTION 2.1033(c) (21) Test Setup Photographs**

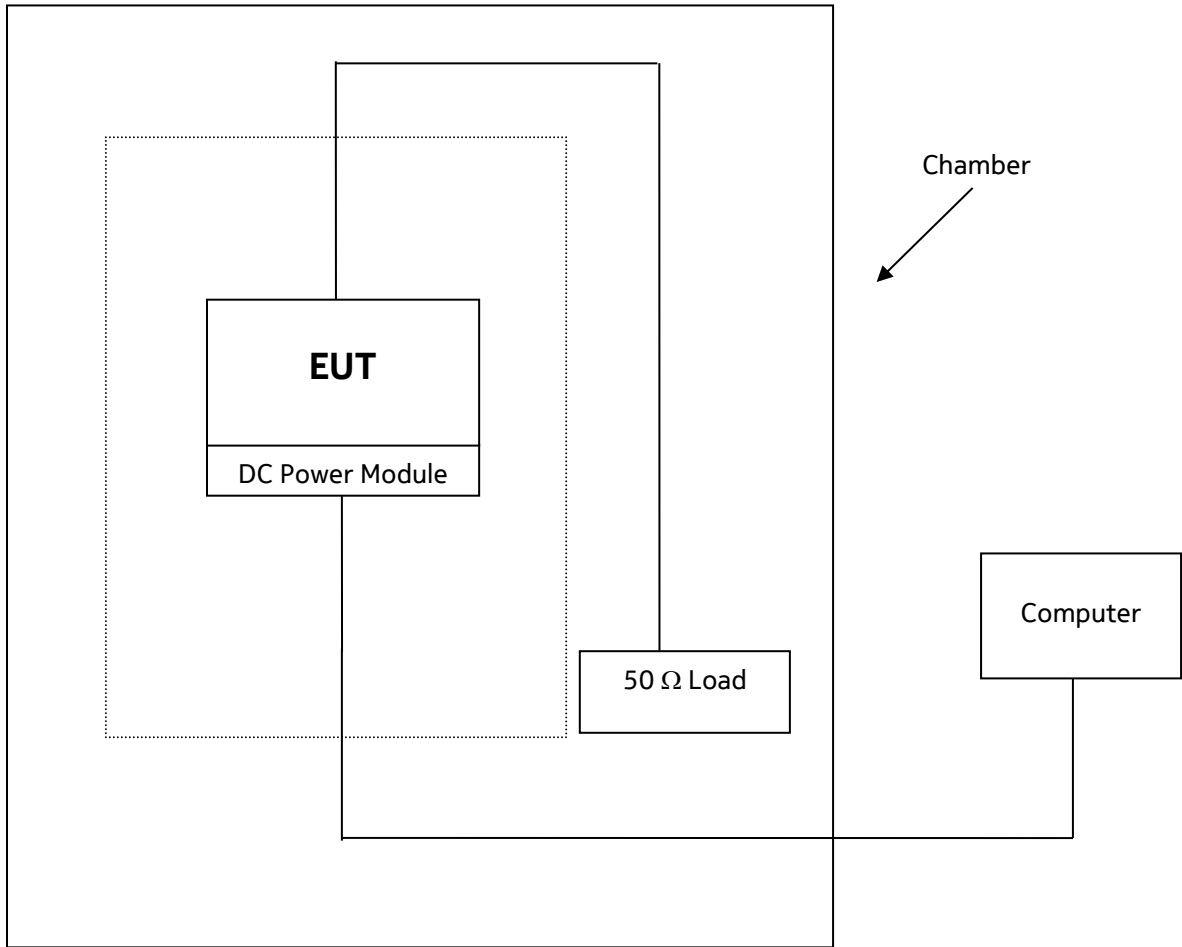
Contain at least one drawing or photograph showing the test set-up for each of the required types of tests applicable to the device for which certification is requested. These drawings or photographs must show enough detail to confirm other information contained in the test report. Any photographs used must be focused originals without glare or dark spots and must clearly show the test configuration used.

**Response:**

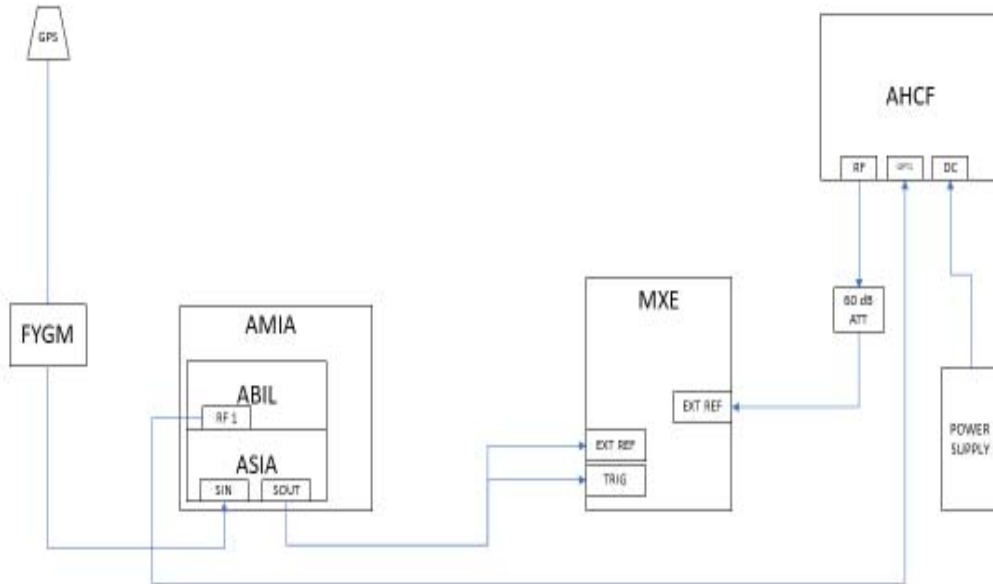
The following setup drawings and photos show the test setup for the measurements in the Test Report.



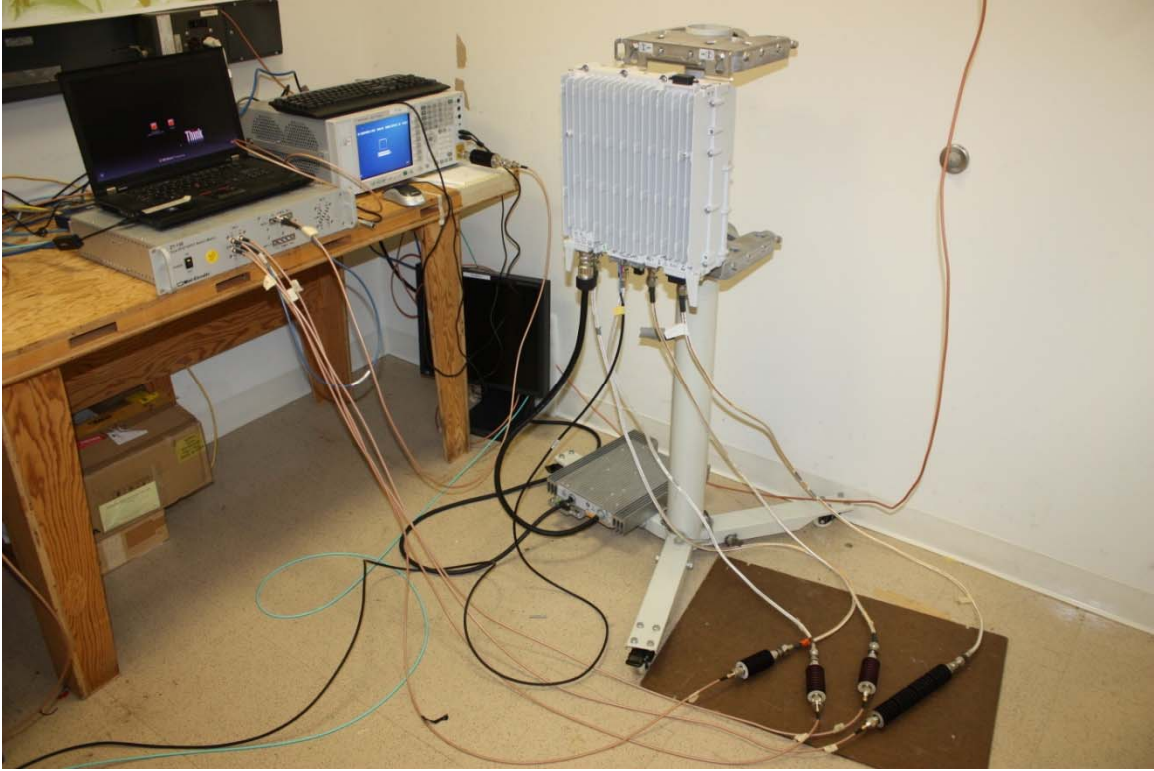
**Figure 1. Setup Diagram of Conducted Test for RF Output Power, Power Spectrum Density, Modulation Characteristics, Occupied Bandwidth and Unwanted Emissions.**



**Figure 2. Setup Diagram of Radiated Test**

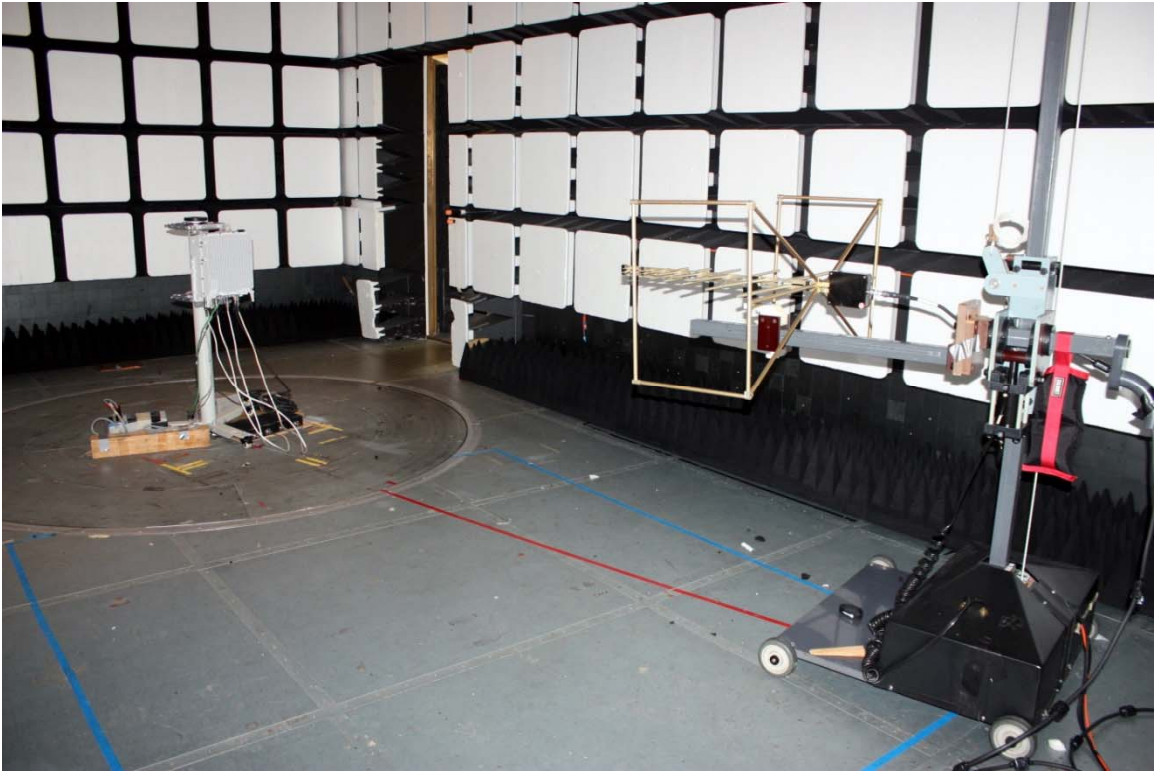


**Figure 3. The Setup Diagram of Frequency Stability Test**



**Figure 5. Photo of RF Conducted Tests**

RADIATED EMISSIONS  
30 MHz – 1 GHz



RADIATED EMISSIONS  
1 GHz – 10 GHz

