



# **FCC TEST REPORT**

**FCC ID: VBA-EFRF101T**

On Behalf of

**Ningbo EverFlourish Smart Technology Corp., Ltd.**

**Remote Control Transmitter**

**Model No.: RF101T, RF101TL**

Prepared for : Ningbo EverFlourish Smart Technology Corp., Ltd.  
Address : 77 Wuxiang East Road, Yinzhou, Ningbo, 315111, China

Prepared By : Shenzhen Alpha Product Testing Co., Ltd.  
Address : Building i, No.2, Lixin Road, Fuyong Street, Bao'an District, 518103,  
Shenzhen, Guangdong, China

Report Number : T1890100 01  
Date of Receipt : January 14, 2019  
Date of Test : January 14, 2019- January 18, 2019  
Date of Report : January 21, 2019  
Version Number : REV0

## Contents

<b>1. General Information.....</b>	<b>5</b>
1.1. Description of Device (EUT) .....	5
1.2. Accessories of Device (EUT).....	6
1.3. Tested Supporting System Details .....	6
1.4. Test Facility .....	6
<b>2. Summary of test .....</b>	<b>7</b>
2.1. Summary of test result .....	7
2.2. Block Diagram .....	8
2.3. Test mode .....	8
2.4. Test Conditions.....	8
2.5. Measurement Uncertainty (95% confidence levels, k=2) .....	8
2.6. Test Equipment.....	9
<b>3. Radiation Emission .....</b>	<b>10</b>
3.1. Radiation Emission Limits(15.209&231) .....	10
3.2. Test Setup .....	10
3.3. Test Procedure .....	12
3.4. Test Equipment Setting For emission test.....	12
3.5. Test Condition .....	12
3.6. Test Result.....	12
<b>4. POWER LINE CONDUCTED EMISSION .....</b>	<b>17</b>
4.1. Conducted Emission Limits (15.209) .....	17
4.2. Test Setup .....	17
4.3. Test Procedure .....	18
4.4. Test Results .....	18
<b>5. Occupied bandwidth.....</b>	<b>19</b>
5.1. Test limit.....	19
5.2. Method of measurement.....	19
5.3. Test Setup .....	19
5.4. Test Results .....	19
<b>6. Transmission time.....</b>	<b>21</b>
6.1. Test limit.....	21
6.2. Method of measurement.....	21
6.3. Test Setup .....	21
6.4. Test Results .....	22
<b>7. Antenna Requirement .....</b>	<b>23</b>
7.1. Standard Requirement .....	23
7.2. Antenna Connected Construction .....	23
7.3. Result.....	23

### TEST REPORT DECLARATION

Applicant : Ningbo EverFlourish Smart Technology Corp., Ltd.  
 Address : Ningbo EverFlourish Smart Technology Corp., Ltd.  
 Manufacturer : Ningbo EverFlourish Smart Technology Corp., Ltd.  
 Address : Ningbo EverFlourish Smart Technology Corp., Ltd.  
 EUT Description : Remote Control Transmitter  
 (A) Model No. : RF101T, RF101TL  
 (B) Trademark : Everflourish

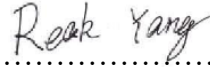
Measurement Standard Used:

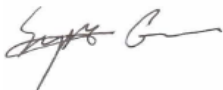
**FCC Rules and Regulations Part 15 Subpart C Section 15.231: 2018**  
**ANSI C63.10-2013**

The device described above is tested by Shenzhen Alpha Product Testing Co., Ltd. to determine the maximum emission levels emanating from the device. The maximum emission levels are compared to the FCC Part 15 Subpart C limits both conducted and radiated emissions. The test results are contained in this test report and Shenzhen Alpha Product Testing Co., Ltd. is assumed of full responsibility for the accuracy and completeness of these tests.

After the test, our opinion is that EUT compliance with the requirement of the above standards.

This report applies to above tested sample only. This report shall not be reproduced in parts without written approval of Shenzhen Alpha Product Testing Co., Ltd.

Tested by (name + signature).....: Reak Yang   
 Project Engineer .....

Approved by (name + signature).....: Simple Guan   
 Project Manager .....

Date of issue.....: January 21, 2019

**Revision History**

Revision	Issue Date	Revisions	Revised By
00	January 21, 2019	Initial released Issue	Simple Guan

## 1. General Information

### 1.1. Description of Device (EUT)

EUT	: Remote Control Transmitter
Model No.	: RF101T, RF101TL
DIFF.	: Both models are identical except software, which have no effect on radio frequency.
Trade mark	: Everflourish
Power supply	: DC 3V by button cell
Operation frequency	: 433.845MHz
Modulation	: OOK
Antenna Type	: PCB Antenna, Maximum Gain is 1dBi
Software version	: V1.0
Hardware version	: V1.0
Product Size	: Length: 38.1mm Width: 13.8mm Height: 73.1mm

Remark: All 6 buttons on the EUT are previewed, this report show the worst case test results, and these results belong to the first button of upper left.

## 1.2. Accessories of Device (EUT)

Accessories1 : /  
Manufacturer : /  
Model : /  
Power supply : /

## 1.3. Tested Supporting System Details

No.	Description	Manufacturer	Model	Serial Number	Certification or DOC
/	/	/	/	/	/

## 1.4. Test Facility

Shenzhen Alpha Product Testing Co., Ltd  
Building i, No.2, Lixin Road, Fuyong Street, Bao'an District, 518103,  
Shenzhen, Guangdong, China

June 21, 2018 File on Federal Communication Commission  
Registration Number: 293961  
Designation Number: CN1236  
July 25, 2017 Certificated by IC  
Registration Number: 12135A

## 2. Summary of test

### 2.1. Summary of test result

<b>Description of Test Item</b>	<b>Standard</b>	<b>Results</b>
Spurious Emission	Section 15.205(a)/15.209/ 15.231(b)	PASS
Conduction Emission	Section 15.207	N/A
Occupied bandwidth	Section 15.231(c)	PASS
Transmission time	Section 15.231(a)(1)	PASS
Band Edge	Section 15.231(b)	N/A
Antenna Requirement	Section 15.203	PASS
Note : Test according to ANSI C63.10-2013		

## 2.2. Block Diagram

- For radiated emissions test: EUT was placed on a turn table, which is 0.8 meters high above ground for below 1 GHz test and 1.5 meters high above ground for below 1 GHz test . EUT was set into test mode before test. New battery is used during all test



## 2.3. Test mode

EUT work in Continuous TX mode, and select test channel, wireless mode

Tested mode, channel, and data rate information		
Mode	Channel	Frequency (MHz)
FSK	CH1	433.845

## 2.4. Test Conditions

Temperature range	21-25°C
Humidity range	40-75%
Pressure range	86-106kPa

## 2.5. Measurement Uncertainty (95% confidence levels, k=2)

Item	Uncertainty
Uncertainty for Power point Conducted Emissions Test	2.74dB
Uncertainty for Radiation Emission test in 3m chamber (below 30MHz)	2.13 dB(Polarize: V)
	2.57dB(Polarize: H)
Uncertainty for Radiation Emission test in 3m chamber (30MHz to 1GHz)	3.77dB(Polarize: V)
	3.80dB(Polarize: H)
Uncertainty for Radiation Emission test in 3m chamber (1GHz to 25GHz)	4.16dB(Polarize: H)
	4.13dB(Polarize: V)
Uncertainty for radio frequency	$5.4 \times 10^{-8}$
Uncertainty for conducted RF Power	0.37dB
Uncertainty for temperature	0.2°C
Uncertainty for humidity	1%
Uncertainty for DC and low frequency voltages	0.06%



## 2.6. Test Equipment

Equipment	Manufacture	Model No.	Serial No.	Last cal.	Cal Interval
3m Semi-Anechoic	ETS-LINDGREN	N/A	SEL0017	2018.09.21	1Year
Spectrum analyzer	ROHDE&SCHWA RZ	FSU	1166.1660.26	2018.09.21	1Year
Test Receiver	ROHDE&SCHWA RZ	ESR	1316.3003K03- 102082-Wa	2018.09.21	1Year
Horn Antenna	SCHWARZBECK	BBHA 9120 D	BBHA 9120 D(1201)	2018.04.13	2Year
Bilog Antenna	Schwarzbeck	VULB 9168	VULB9168-438	2018.04.13	2Year
Loop Antenna	SCHWARZBECK	FMZB 1519B	00005	2018.09.26	2Year
Amplifier	HP	HP8347A	2834A00455	2018.09.21	2018.09.22
Amplifier	Agilent	8449B	3008A02664	2018.09.21	2018.09.22
Cable	Resenberger	N/A	No.1	2018.09.21	1Year
Cable	Resenberger	N/A	No.2	2018.09.21	1Year
Cable	Resenberger	N/A	No.3	2018.09.21	1Year
20db Attenuator	ICPROBING	IATS1	82347	2018.09.21	1 Year
Spectrum analyzer	Agilent	N9020A	MY499100060	2018.09.11	1 Year

### 3. Radiation Emission

#### 3.1. Radiation Emission Limits(15.209&231)

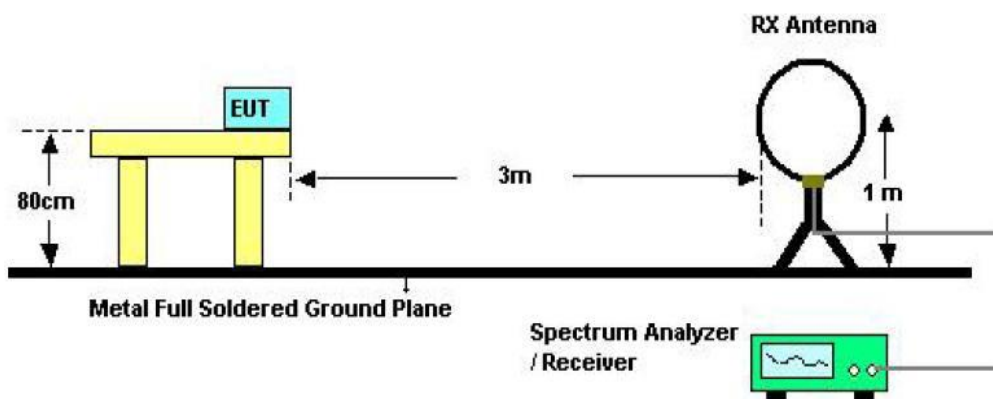
Frequency (MHz)	Field Strength Limits at 3 metres (watts, e.i.r.p.)		
	uV/m	dB uV/m	Measurement distance(m)
0.009-0.490	2400/F(kHz)	XX	300
0.490-1.705	24000/F(kHz)	XX	30
1.705-30	30	29.5	30
30~88	100(3nW)	40	3
88~216	150(6.8nW)	43.5	3
216~960	200(12nW)	46	3
Above960	500(75nW)	54	3
Carrier frequency		80.83(AV)	3
Carrier frequency		100.83(PK)	3

**NOTE:**

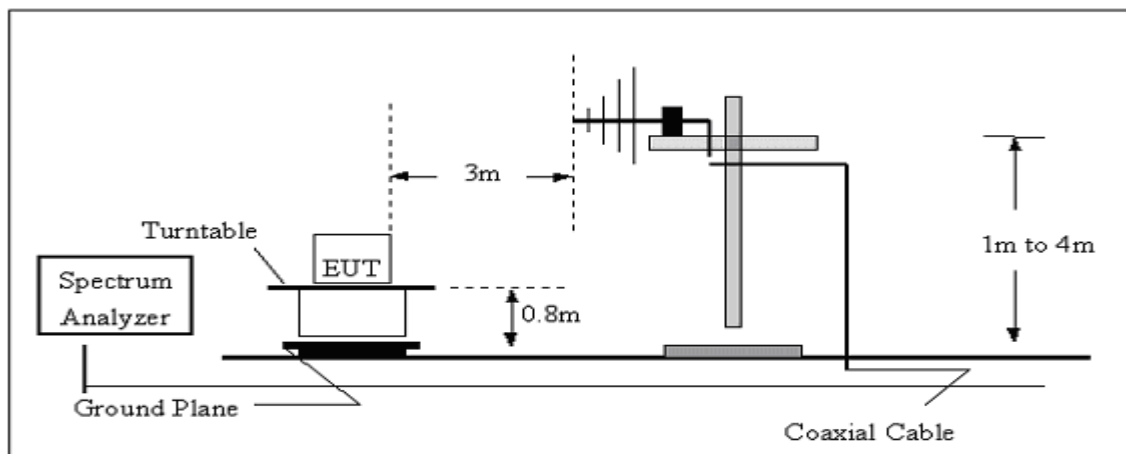
- a) The tighter limit applies at the band edges.
- b) Emission Level(dB uV/m)=20log Emission Level(uV/m)

#### 3.2. Test Setup

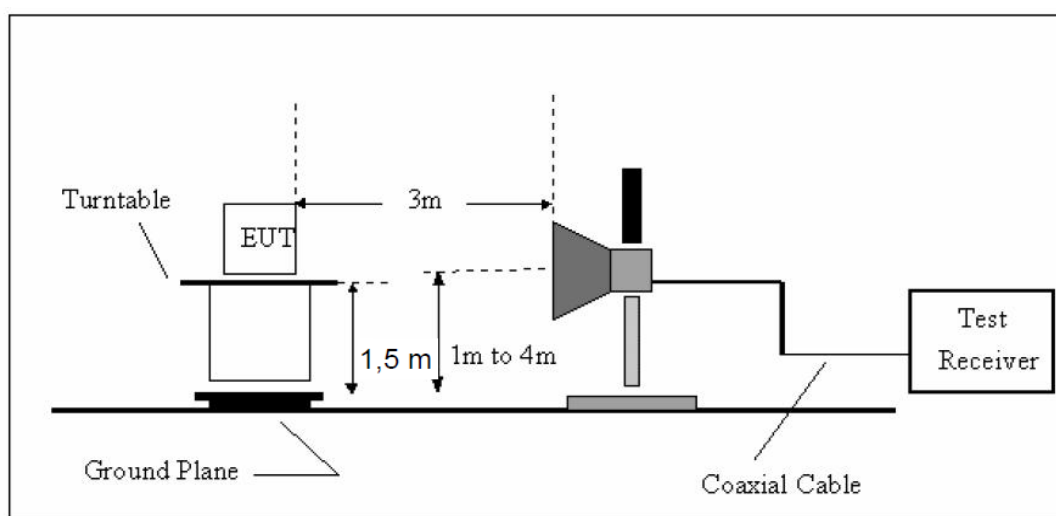
See the next page.



Below 30MHz Test Setup



Above 30MHz Test Setup



Above 1GHz Test Setup

### 3.3. Test Procedure

- a) The measuring distance of 3m shall be used for measurements at frequency up to 1GHz and above 1GHz, The EUT was placed on a rotating 0.8 m high above ground, The table was rotated 360 degrees to determine the position of the highest radiation
- b) The Test antenna shall vary between 1m and 4m, Both Horizontal and Vertical antenna are set to make measurement.
- c) The initial step in collecting conducted emission data is a spectrum analyzer Peak detector mode pre-scanning the measurement frequency range. Significant Peaks are then marked. and then Quasi Peak Detector mode re-measured
- d) If Peak value complies with QP limit Below 1GHz. The EUT is deemed to comply with QP limit. But the Peak value and average value both need to comply with applicable limit above 1GHz.
- e) For the actual test configuration, please see the test setup photo.

### 3.4. Test Equipment Setting For emission test.

9KHz~150KHz	RBW 200Hz	VBW 1KHz
150KHz~30MHz	RBW 9KHz	VBW 30KHz
30MHz~1GHz	RBW 120KHz	VBW 300KHz
Above 1GHz	RBW 1MHz	VBW 3MHz

### 3.5. Test Condition

Continual Transmitting in maximum power (The new battery be used during Test)

### 3.6. Test Result

We have scanned the 10th harmonic from 9KHz to the EUT.  
Detailed information please see the following page.

From 9KHz to 30MHz: Conclusion: PASS

Note: The amplitude of spurious emissions which are attenuated by more than 20dB below the permissible value has no need to be reported.

**Notes:** 1 --Means other frequency and mode comply with standard requirements and at least have 20dB margin.

Correct Factor=Cable Loss+Antenna Factor-Amplifier Gain

Measurement Result=Reading + Correct Factor

Margin=Measurement Result-Limit

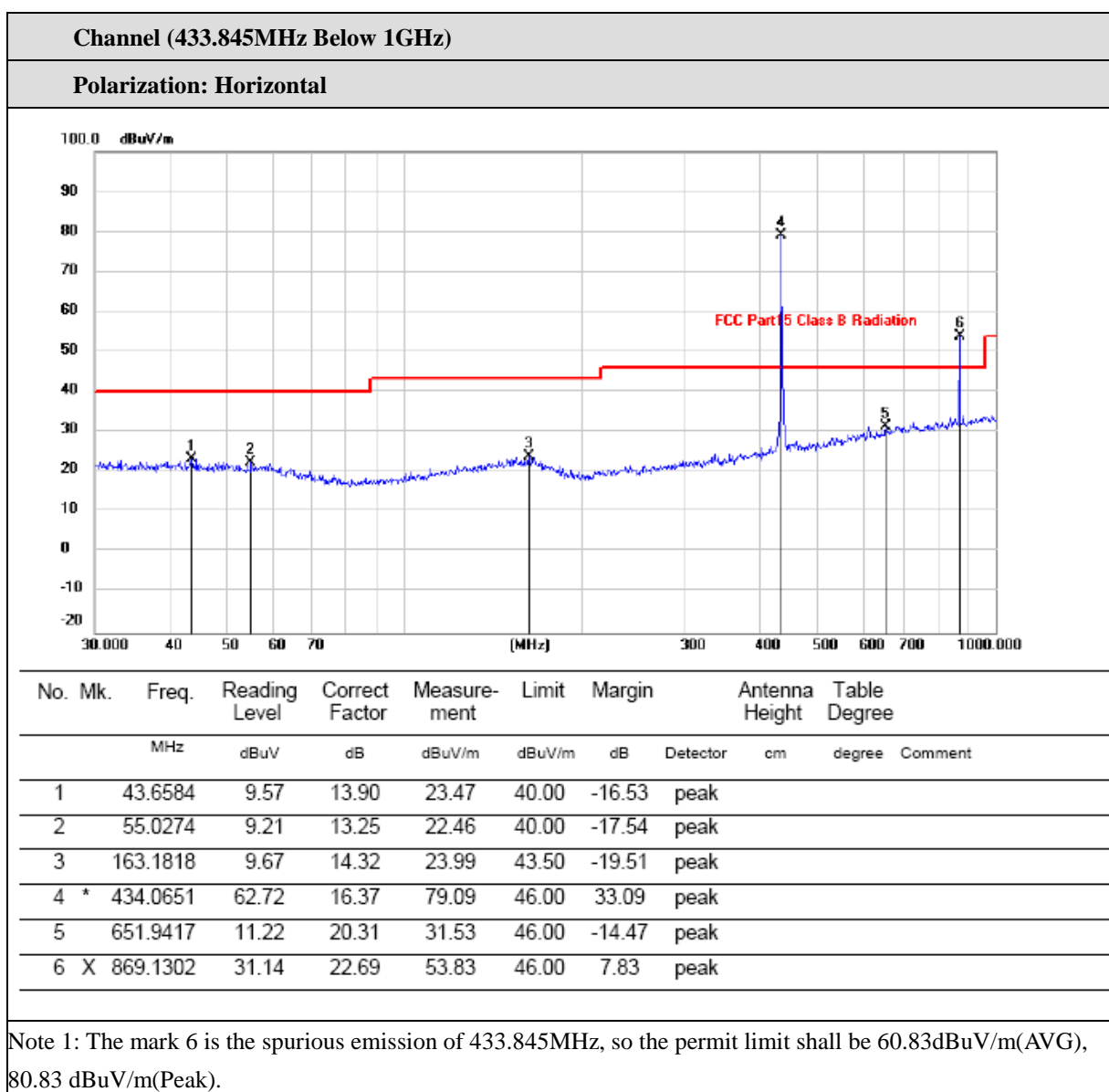
2 –Spectrum setting:

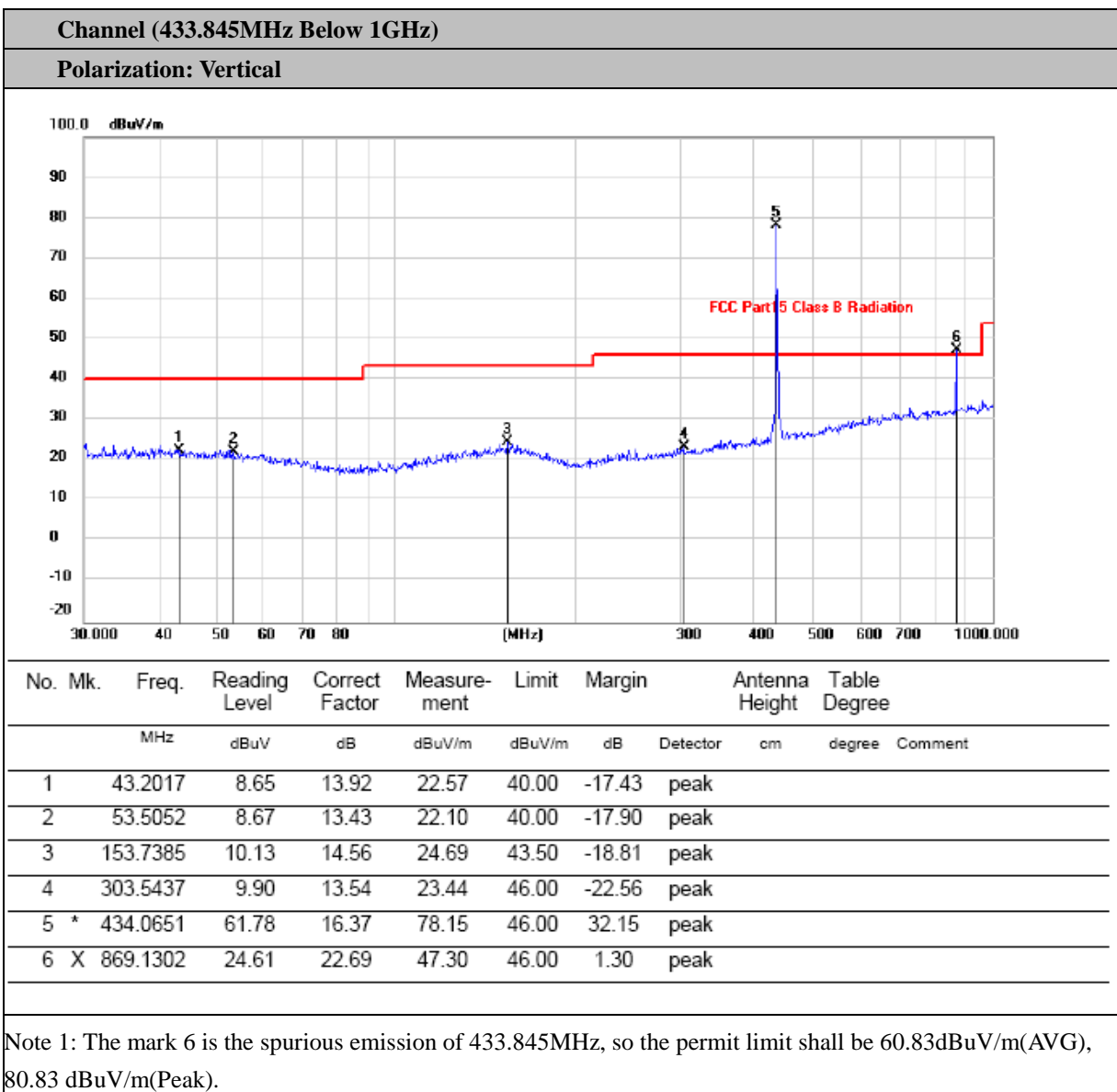
a. Peak setting 30MHz-1GHz, RBW=100KHz, VBW=300KHz.

3- PK measure result values is less than the AVG limit values, so AV measure result values test not applicable.

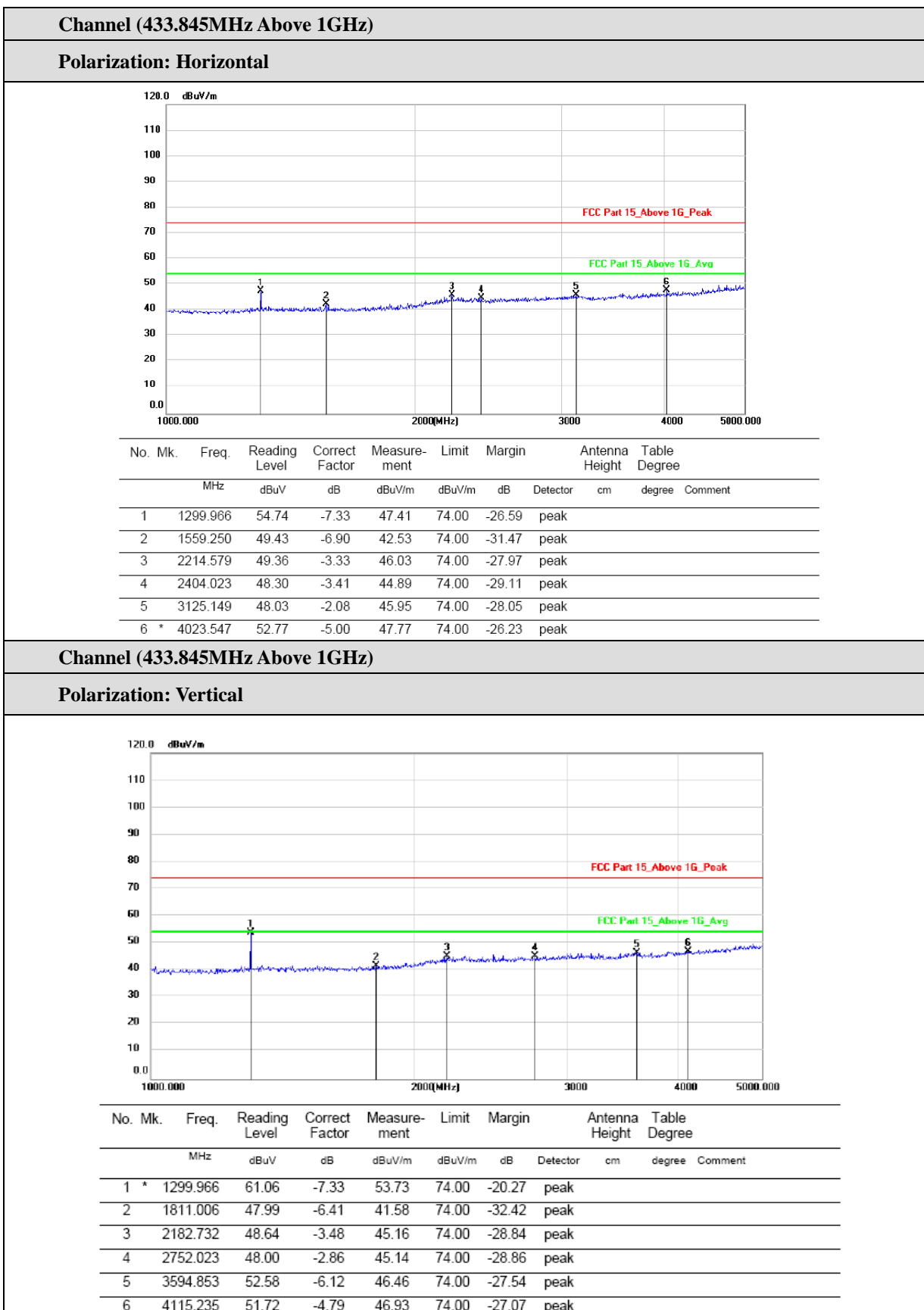
### Radiated Emissions Result of Inside band

<b>EUT</b>	Remote Control Transmitter	<b>Model Name</b>	RF101T
<b>Temperature</b>	25°C	<b>Relative Humidity</b>	56%
<b>Pressure</b>	960hPa	<b>Test voltage</b>	DC 3V by button cell
<b>Test Mode</b>	TX 433.845MHz	<b>Test by</b>	Reak





Peak Power = 79.09 dBuV/m



Note 1: The spurious emission the permit limit of 433.845MHz shall be 60.83dBuV/m(AVG), 80.83 dBuV/m(Peak).



## 4. POWER LINE CONDUCTED EMISSION

### 4.1. Conducted Emission Limits (15.209)

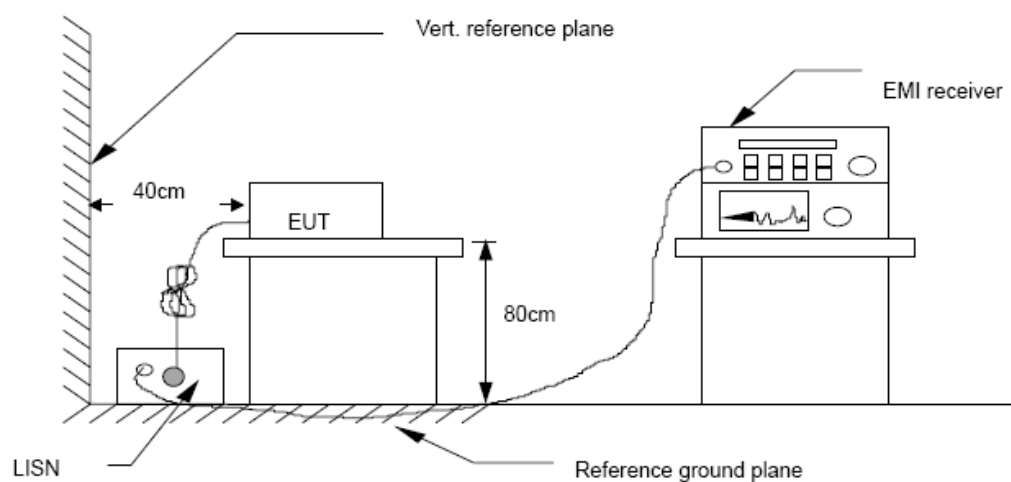
Frequency MHz	Limits dB( $\mu$ V)	
	Quasi-peak Level	Average Level
0.15 -0.50	66 -56*	56 - 46*
0.50 -5.00	56	46
5.00 -30.00	60	50

Notes: 1. \*Decreasing linearly with logarithm of frequency.

2. The lower limit shall apply at the transition frequencies.

3. The limit decreases in line with the logarithm of the frequency in the rang of 0.15 to 0.50 MHz.

### 4.2. Test Setup



### 4.3. Test Procedure

The EUT is put on the plane 0.8m high above the ground by insulating support and is connected to the power mains through a line impedance stabilization network (L.I.S.N.). This provides a 50ohm coupling impedance for the EUT system. Please refer the block diagram of the test setup and photographs. Both sides of AC lines are checked to find out the maximum conducted emission. In order to find the maximum emission levels, the relative positions of equipment and all of the interface cables shall be changed according to ANSI C63.10:2013 on Conducted Emission Measurement.

The bandwidth of test receiver (R & S ESCI) is set at 9 kHz.

### 4.4. Test Results

EUT power supply by battery, so the test not applicable.

## 5. Occupied bandwidth

### 5.1. Test limit

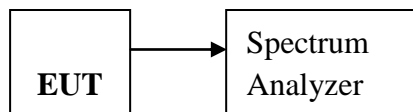
Please refer section RSS-210 & 15.231

According to §15.231(C), The bandwidth of the emission shall be no wider than 0.25% of the center frequency for devices operating above 70MHz and below 900MHz.

### 5.2. Method of measurement

- a) The bandwidth is measured at an amplitude level reduced 20dB from the reference level. The reference level is the level of the highest amplitude signal observed from the transmitter at the fundamental frequency. Once the reference level is established, the equipment is conditioned with typical modulating signal to produce the worst-case (i.e. the widest) bandwidth.
- b) The test receiver RBW set 30KHz, VBW set 30KHz, Sweep time set auto.

### 5.3. Test Setup

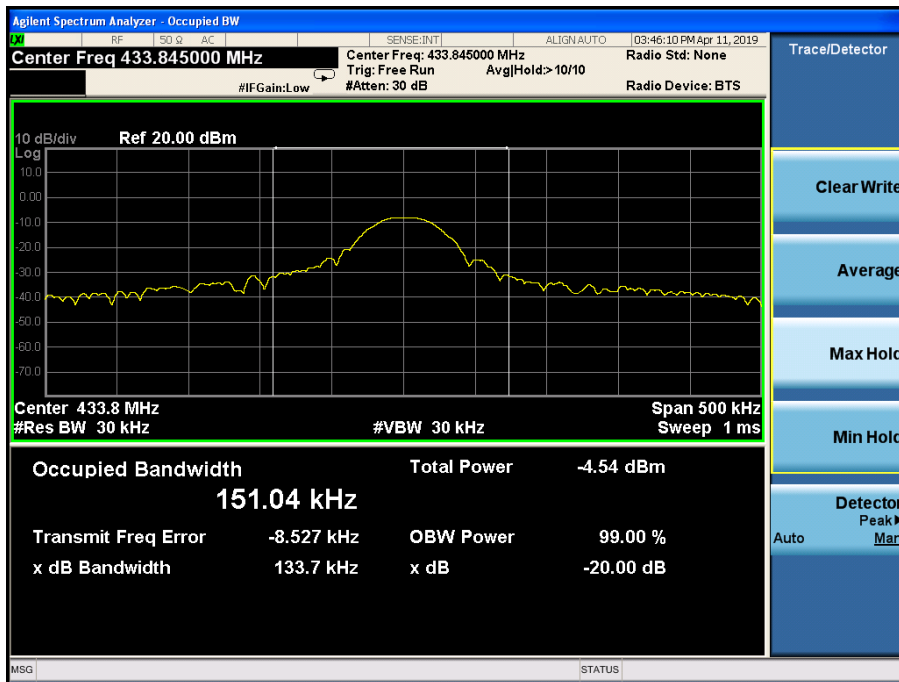


### 5.4. Test Results

Mode	Freq (MHz)	20dB Bandwidth (KHz)	99% Bandwidth (KHz)	Limit (kHz)	Conclusion
FSK	433.845	133.7	151.04	1084.6	PASS

Note: Limit = 433.845MHz \* 0.25% = 1084.6 kHz

433.845MHz



## 6. Transmission time

### 6.1. Test limit

Please refer section RSS-210 & 15.231

According to §15.231(a)(1), A manually operated transmitter shall employ a switch that will automatically deactivate the transmitter within not more than 5 seconds of being released.

### 6.2. Method of measurement

6.2.1. Place the EUT on the table and set it in transmitting mode.

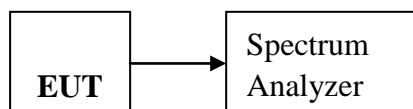
6.2.2. Remove the antenna from the EUT and then connect a low loss RF cable from the antenna port to the spectrum analyzer.

6.2.3. Set spectrum analyzer Center= 433.845MHz, Span = 0MHz, Sweep = 5s.

6.2.4. Set the spectrum analyzer as RBW, VBW=1MHz,

6.2.5. Max hold, view and count how many channel in the band.

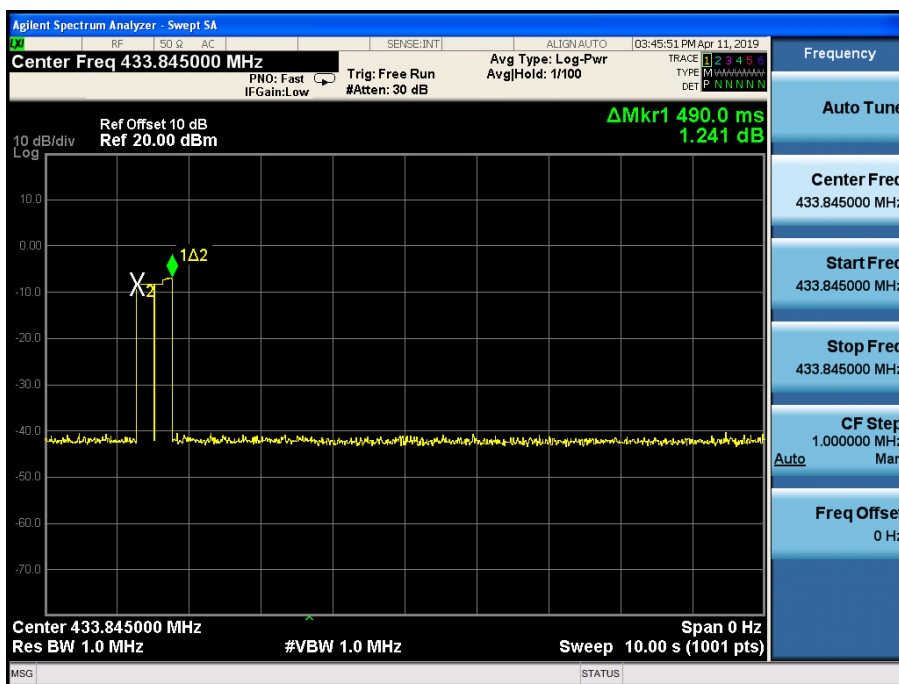
### 6.3. Test Setup



### 6.4. Test Results

Freq (MHz)	Test Result(s)	Limit (s)	Conclusion
433.845	0.490	< 5s	PASS

EUT After Release the button, EUT emission Continue less than 0.490 seconds, Compliance with 15.231 a(1) section.



## **7. Antenna Requirement**

### 7.1. Standard Requirement

An intentional radiator shall be designed to ensure that no antenna other than that furnished by the responsible party shall be used with the device. The use of a permanently attached antenna or of an antenna that uses a unique coupling to the intentional radiator shall be considered sufficient to comply with the provisions of this Section. The manufacturer may design the unit so that a broken antenna can be replaced by the user, but the use of a standard antenna jack or electrical connector is prohibited.

### 7.2. Antenna Connected Construction

The directional gains of antenna used for transmitting is 1 dBi, and the antenna connector is designed with permanent attachment and no consideration of replacement. Please see EUT photo for details.

### 7.3. Result

The EUT antenna is PCB antenna. It complies with the standard requirement.