

Instruction Manual

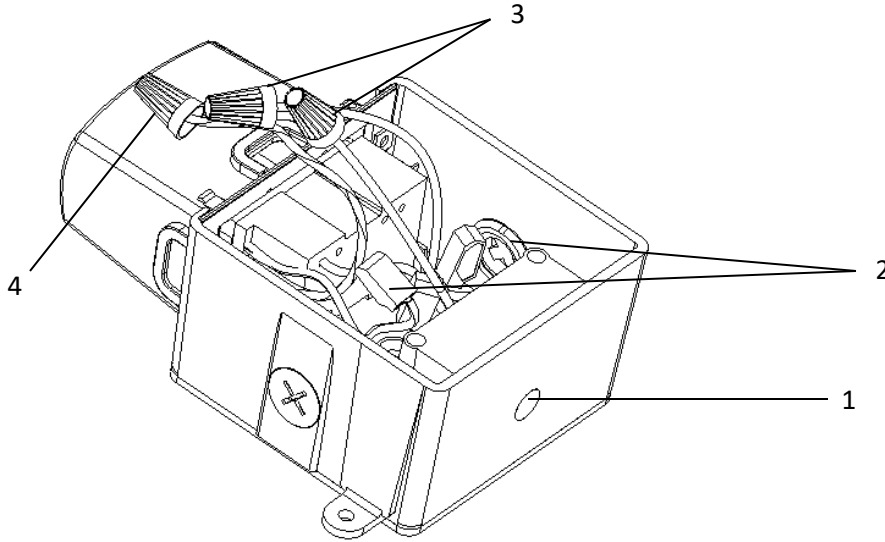
Junction box

Item no. ES26XX-XX

A. Functions

1. GFCI socket and connected light

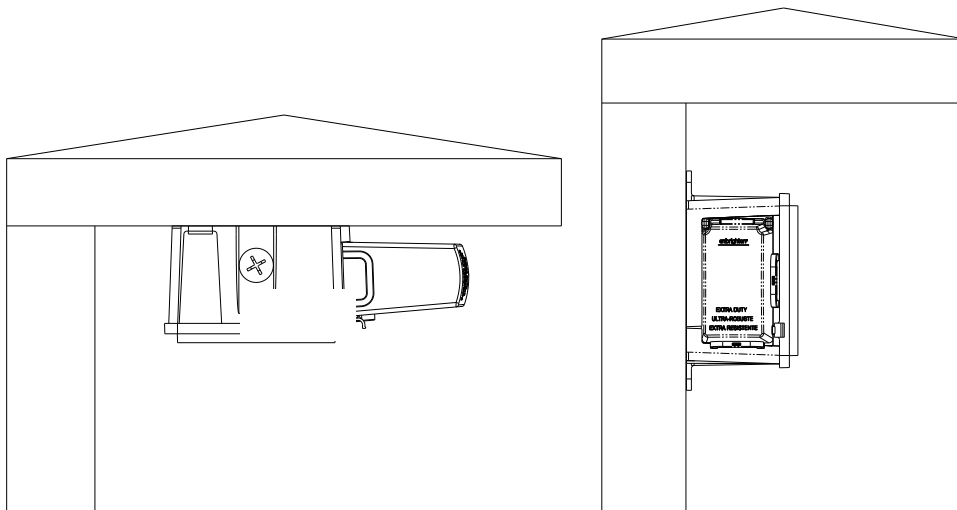
B. Diagram



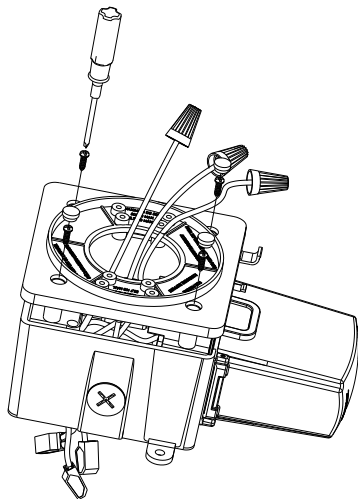
Button	Function
1. manual button	With LED indicator, can control the junction box power supply ON/OFF Switch to W-Fi pairing mode
2. plugin terminal (black & white wire)	To connect the external input wire
3. screw terminal (black & white wire)	To connect light's wire
4. screw terminal (yellow & green wire)	To connect the light's ground wire

C. Installation

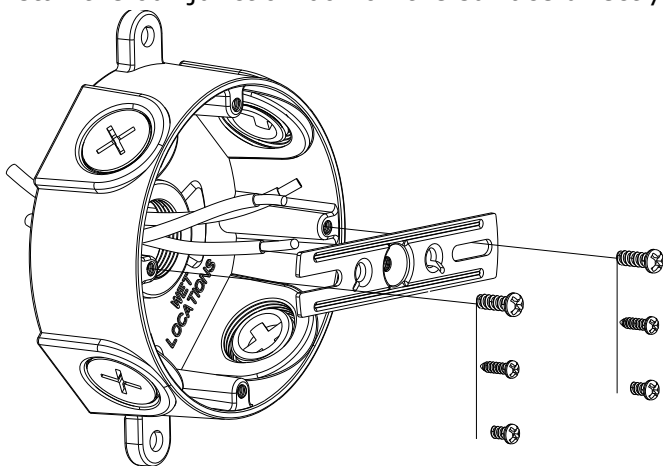
1. **IMPORTANT:** Ensure the electric supply is cut off before installing. You can install the junction box at below position



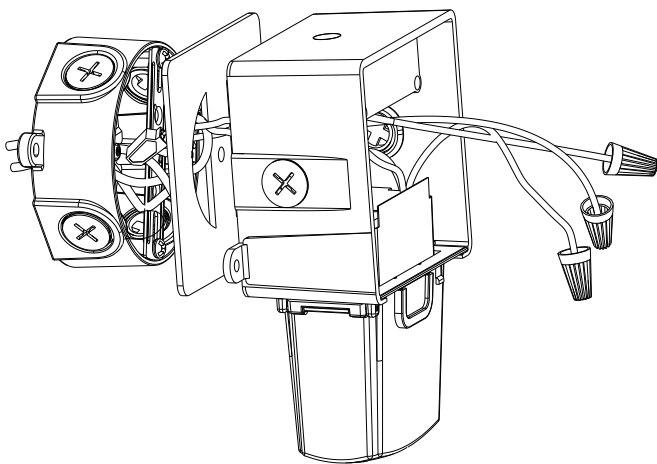
2. Use a screw to lose the screws on the back and take off the back cover.



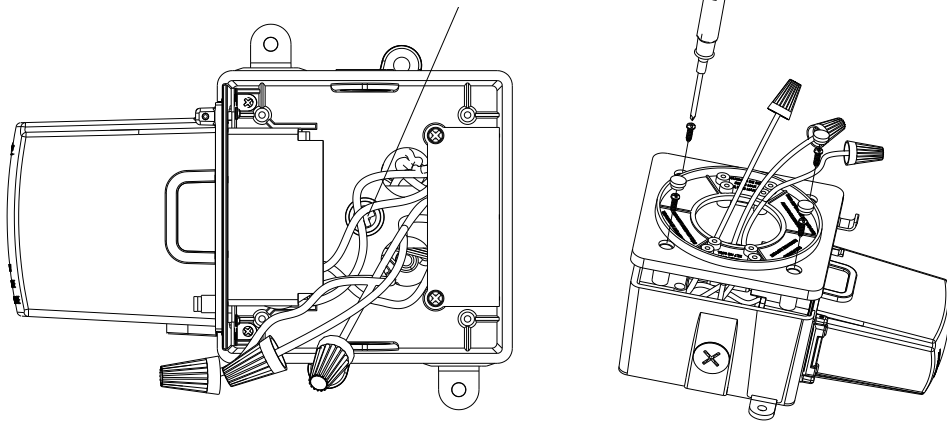
3. Install the fixing plate on to your existing junction box, if you don't have a junction box , can install the junction box on the surface directly.



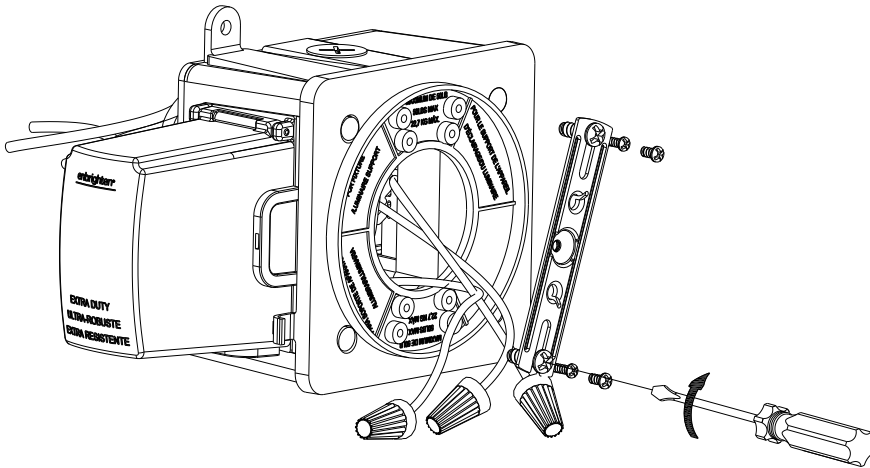
4. Put on the Waterproof gasket and connect the wire (UL14AWG)



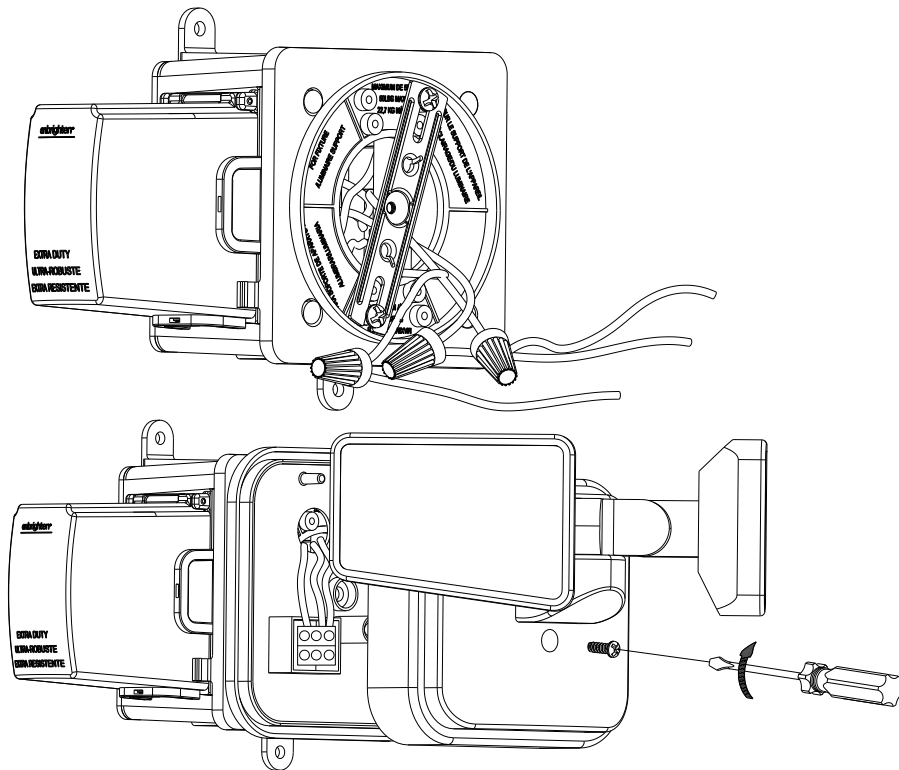
5. Fix the junction box and then install the back cover and tighten the screw.



6. Fix the other fixing plate onto the back cover



7. Connect the wires of junction box and light, then install the light on the fixing plate



PS: install our junction box directly on the wall, please see below.

3. After testing, switch on the power supply, manual button LED will flash, device is under adding mode
4. download the enbrighten app and create your account, add the device by following the guide in app
5. after adding successfully, you can control the light and GFCI outlets via app
6. you can press and hold the manual button over 10 seconds to reset the product

E. Specification

Power rating: 125V~ 60Hz

Power load: GFCI, 1875W; light output 625W

Difference between every model:

ES26-GP: with manual ON/OFF switch, GFCI, 3 wires to connect lamp, without Wi-Fi function

ES26-OP: with manual ON/OFF switch, 3 wires to connect lamp, without GFCI☆, Wi-Fi function

ES26WF-GP: with manual ON/OFF switch, GFCI, Wi-Fi function, 3 wires to connect lamp.

ES26WF-OP: with manual ON/OFF switch, Wi-Fi function, 3 wires to connect lamp, without GFCI☆


ES26WF-G: with manual ON/OFF switch, GFCI, Wi-Fi function, without 3 wires to connect lamp.

ES26WF-O: with manual ON/OFF switch, Wi-Fi function, without GFCI☆, 3 wires to connect lamp.

ES26WF-P: with manual ON/OFF switch, Wi-Fi function, 3 wires to connect lamp, without GFCI

☆means users can add GFCI by themselves.

F. WEEE

Correct disposal of the products	
	<p>Within the European Union, this symbol indicates that the products must not be disposed in the household waste. Devices contain valuable recyclable materials that should be recycled for reuse and uncontrolled waste disposal may cause harm to the environment and human health. Please dispose the old products via suitable collection systems or send the unit to the office where you bought it. This will make the product recycling.</p>

Manufacturer :



Manufacturer: Ningbo EverFlourish Smart Technology Corp. Ltd.

Address: 77 Wuxiang East Road, Yinzhou, Ningbo, 315111, P.R.China

This device complies with part 15 of the FCC Rules & Industry Canada's licence-exempt RSSs. Operation is subject to the following two conditions:

- (1) This device may not cause interference; and
- (2) This device must accept any interference, including interference that may cause undesired operation of the device.

Le présent appareil est conforme aux CNR d'Industrie Canada applicables aux appareils radio exempts de licence. L'exploitation est autorisée aux deux conditions suivantes : (1) l'appareil ne doit pas produire de brouillage, et (2) l'utilisateur de l'appareil doit accepter tout brouillage radioélectrique subi, même si le brouillage est susceptible d'en compromettre le fonctionnement.

Changes or modifications not expressly approved by the party responsible for compliance could void the user's authority to operate the equipment.

This equipment has been tested and found to comply with the limits for a Class B digital device, pursuant to part 15 of the FCC Rules. These limits are designed to provide reasonable protection against harmful interference in a residential installation. This equipment generates uses and can radiate radio frequency energy and, if not installed and used in accordance with the instructions, may cause harmful interference to radio communications. However, there is no guarantee that interference will not occur in a particular installation. If this equipment does cause harmful interference to radio or television reception, which can be determined by turning the equipment off and on, the user is encouraged to try to correct the interference by one or more of the following measures:

- Reorient or relocate the receiving antenna.
- Increase the separation between the equipment and receiver.
- Connect the equipment into an outlet on a circuit different from that to which the receiver is connected.
- Consult the dealer or an experienced radio/TV technician for help.

MPE Requirements

To satisfy FCC/IC RF exposure requirements, a separation distance of 20 cm or more should be maintained between the antenna of this device and persons during device operation.

To ensure compliance, operations at closer than this distance is not recommended.

Les antennes installées doivent être situées de façon à ce que la population ne puisse y être exposée à une distance de moins de 20 cm. Installer les antennes de façon à ce que le personnel ne puisse approcher à 20 cm ou moins de la position centrale de l'antenne.

La FCC/IC des états-unis stipule que cet appareil doit être en tout temps éloigné d'au moins 20 cm des personnes pendant son fonctionnement.