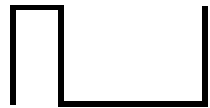
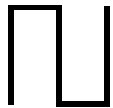


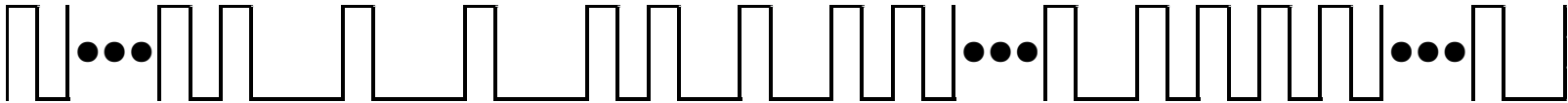


Transmission Data Format

	LEADING	BIT0	BIT1	END	
Data Format	 40 / 120us	 40/40us	 40/80us	 40us	
1Word Data Format					
	DUMMY DATA	SYNC		DATA	8BIT CRC
	BIT0 X 10	LEADING X3	BIT0	(BIT0 OR BIT1) X 56	(BIT0 OR BIT1) X 8
	0.800msec	0.560msec		4.480 ~ 6.720msec	0.640 ~ 0.960msec
	5.680 ~ 8.240msec				
Content	<ul style="list-style-type: none"> - 1-Word Data Time Length : 5.680msec ~ 8.240msec - At One time press button to transmit data of 3 Channels - 1 Channel is comprised of 17 ~ 12 words - Data Time Length of 1 Channel: Average 100msec - Data Time Length of 1 time press button : Average 300msec 				