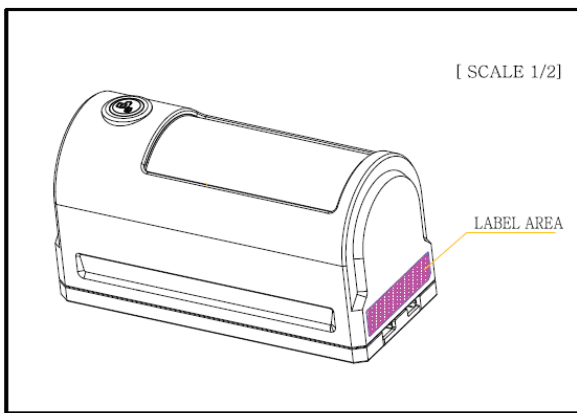
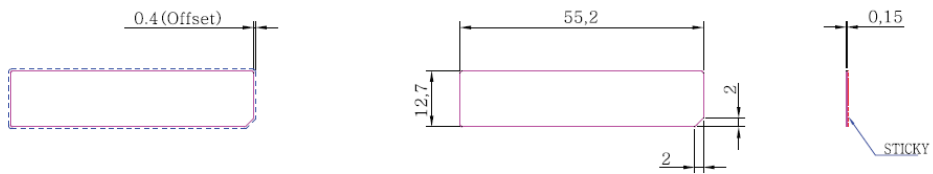


## Certification LABEL location

The Label shown shall be permanently affixed at a conspicuous location on the device and be readily visible to the user at the time of purchase



LABEL MODEL STICKER v1



- The device is small that it is not practicable to place the statement specified under 15.19 statement request, the information required by this paragraph shall be placed in a prominent location in the user's manual.