



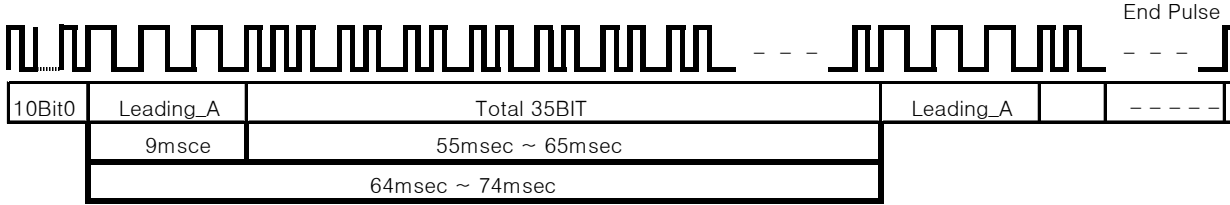


< FCC ID : VA5JR961A915 >

### Transmission Data Format

	Leading_A	BIT0	BIT1	End
<p>Data Format</p>	 <p>1480 / 1480us</p>	 <p>740/740usc</p>	 <p>1110/1110usc</p>	 <p>740usc</p>
<p>1Word Data Format</p>				
<p>Content</p>	<ul style="list-style-type: none"> <li>- 1-Word Data Time Length : 64msec ~ 74msec</li> <li>- At One time press button to transmit data of 8-word</li> <li>- 8-Word Data Time Length : 512msec ~592msec</li> </ul>			