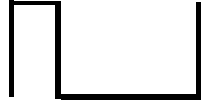
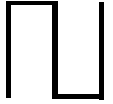
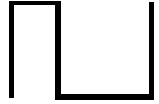
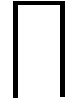
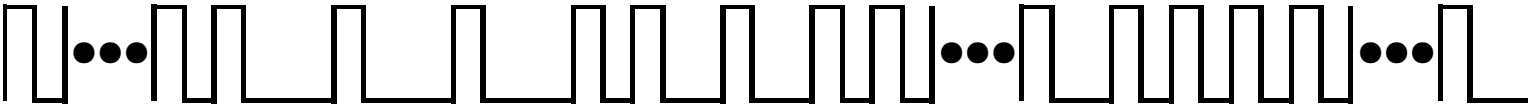


Transmission Data Format

	LEADING	BIT0	BIT1	END	
Data Format	 40 / 120us	 40/40us	 40/80us	 40us	
1Word Data Format					
	DUMMY DATA	SYNC		DATA	8BIT CRC
	BIT0 X 10	LEADING X3	BIT0	(BIT0 OR BIT1) X 48	(BIT0 OR BIT1) X 8
	0.800msec	0.560msec		3.840 ~ 5.760msec	0.640 ~ 0.960msec
	5.040 ~ 7.280msec				
Content	<ul style="list-style-type: none"> - 1-Word Data Time Length : 5.040msec ~ 7.280msec - At One time press button to transmit data of 3 Channels - 1 Channel is comprised of 25 words - Data Time Length of 1 Channel: 126.800 ~ 182.800 msec - Data Time Length of 1 time press button : Average 380.400 ~ 548.400 msec (3 Channels) 				