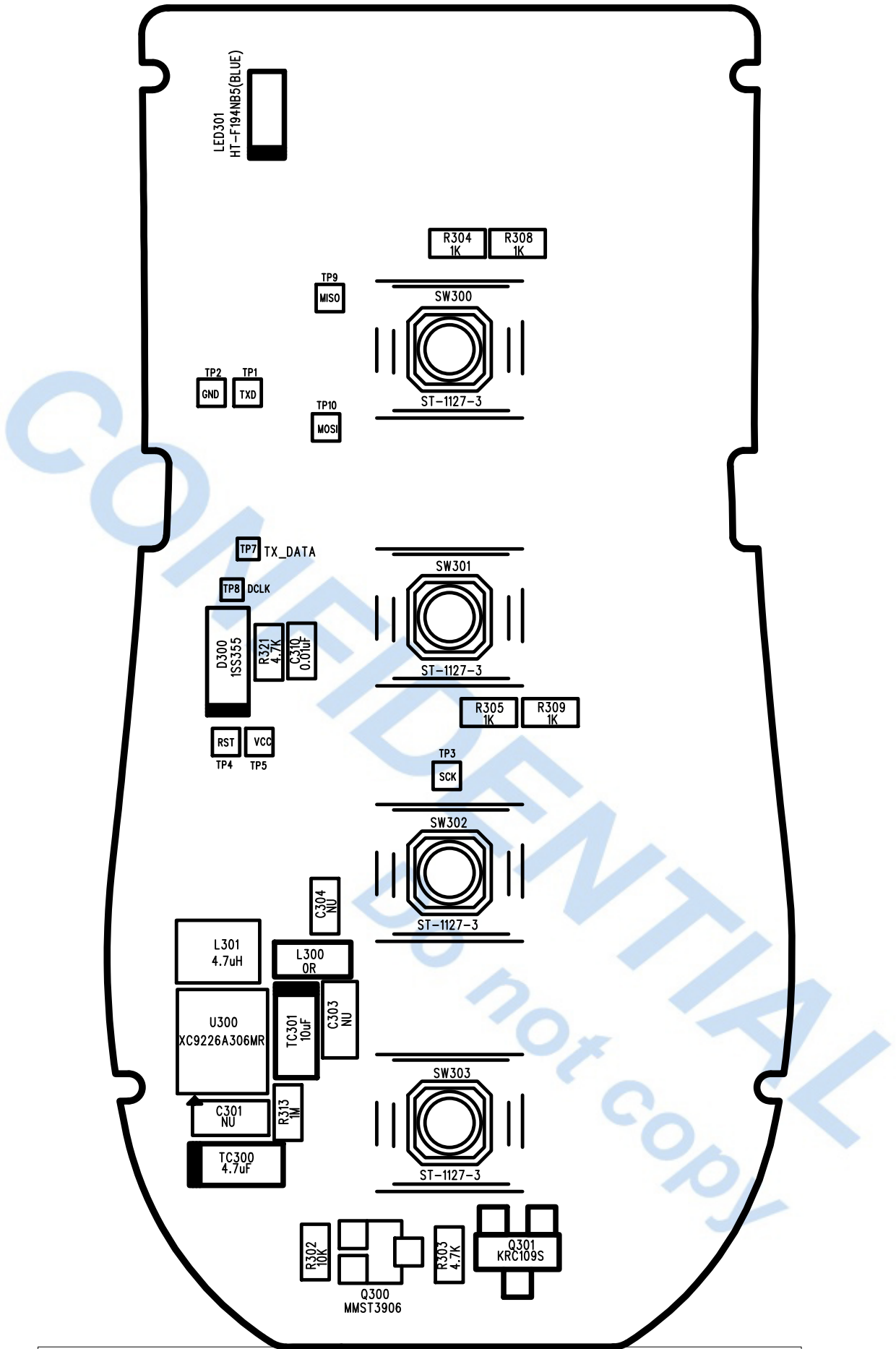


		REB500-1WFM-915-USC			
		ASSY TOP SIDE			
		THICKNESS	1.0T	LAYER	4
S.I.HAN	12.01.27	MATERIAL	FR-4	REV	00



		REB500-1WFM-915-USC			
		ASSY TOP SIDE			
		THICKNESS	1.0T	LAYER	4
S.I.HAN	12.01.27	MATERIAL	FR-4	REV	00