
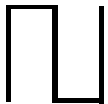

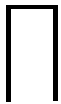
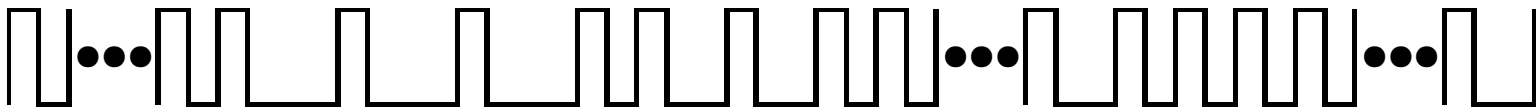


Transmission Data Format

	LEADING	BIT0	BIT1	END
Data Format	 40 / 120us	 40/40us	 40/80us	 40us
1Word Data Format				
	DUMMY DATA	SYNC	DATA	8BIT CRC
	BIT0 X 10	LEADING X3	(BIT0 OR BIT1) X 56	(BIT0 OR BIT1) X 8
	0.800msec	0.560msec	4.360 ~ 6.720msec	0.640 ~ 0.960msec
	5.680 ~ 8.240msec			
Content	<ul style="list-style-type: none"> - 1-Word Data Time Length : 5.680msec ~ 8.240msec - If operating of button, transmit 1 channel - If operating of paging, transmit 25 channels - 1 Channel is comprised of 67 ~ 46 words - Data Time Length of 1 Channel: Average 380msec 			