

Technical Description

The brief circuit description is listed as below:

- 1) U1 acts as 2.4GHz RF module that consist MCU (RF24G228).
- 2) Y2 is 12MHz crystal oscillator providing clock for U1.
- 3) U4 and U5 act as motor driver (MX214, CP2119).
- 4) U3 acts as Voltage Regulator (6201).

Antenna Type: Internal antenna

Antenna Gain: 0dBi

Nominal rated field strength: 75.4dB μ V/m at 3m

Maximum allowed field strength of production tolerance: +/- 3dB



RF24G228

Low Cost 2.4GHz Radio Transceiver

GENERAL DESCRIPTION

The RF24G228 is a low-cost, fully integrated CMOS RF transceiver, GFSK data modem, and packet framer, optimized for use in the 2.4 GHz ISM band. It contains transmit, receive, RF synthesizer, and digital modem functions, with few external components. The transmitter supports digital power control. The receiver utilizes extensive digital processing for excellent overall performance, even in the presence of interference and transmitter impairments.

The RF24G228 transmits GFSK data at approximately 6 dBm output power. The low-IF receiver architecture produces good selectivity, with sensitivity down to approx. -96 dBm@62.5Kdps. Digital RSSI values are available to monitor channel quality. On-chip transmit and receive FIFO registers are available to buffer the data transfer with MCU.

Built-in CRC, FEC, data whitening, and automatic retry/acknowledge are all available to simplify and optimize performance for individual applications. The digital baseband interface can be either 4-wire SPI or 2-wire I2C-bus. Three additional pins are available for optional reset and buffer control.

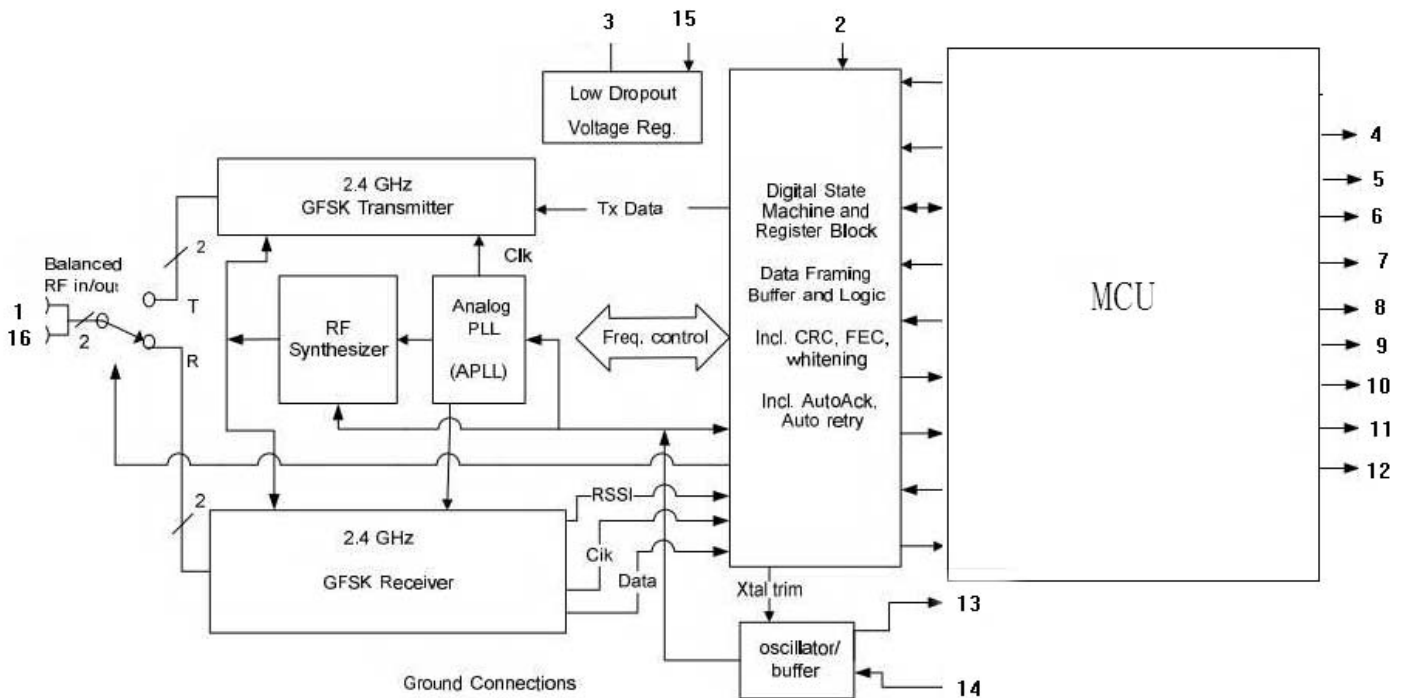
For extended battery life, power consumption is minimized all key areas. A sleep mode is available to reduce standby current consumption to just 1 uA typ. while preserving register settings. This product is available in RoHS compliant SSOP16 standard package.

Application

- Remote controls
- Wireless keyboards and mice
- Proprietary Wireless Networks | Home automation
- Commercial and industrial short-range wireless
- Wireless voice, VoIP, Cordless headsets
- Robotics and machine connectivity



1. Block Diagram





2. Absolute Maximum Ratings

Table 1. Absolute Maximum Rating

Parameter	Symbol	MIN	TYP	MAX	Unit
Operating Temp.	T _{OP}	-40		+85	°C
Storage Temp.	T _{STORAGE}	-55		+125	°C
LDO_VDD, VDD_IO Voltage	V _{IN_MAX}			+3.7	VDC
VDD pins	VDD_MAX			+2.5	
Applied Voltages to	V _{OTHER}	-0.3		+3.7	VDC
Other Pins					
Input RF Level	P _{IN}			+10	dBm

Notes:

- 1. Absolute Maximum Ratings indicate limits beyond which damage to the device may occur. Recommended operating conditions indicate conditions for which the device is intended to be functional, but do not guarantee specific performance limits. For guaranteed specifications and test conditions, see the Electrical Characteristics section below.**
- 2. These devices are electro-static sensitive. Devices should be transported and stored in anti-static containers. Equipment and personnel contacting the devices need to be properly grounded. Cover workbenches with grounded conductive mats.**



3. Electrical Characteristics

Table 2. Electrical Characteristics

The following specifications are guaranteed for $T_A = 25\text{ C}$, $LDO_VDD = VDD_IO = 3.3\text{ VDC}$, unless otherwise noted.

Parameter	Symbol	MIN	TYP	MAX	Units	Test Condition and Notes
Supply Voltage						
DC power supply voltage range		2.2		3.6	VDC	Input to VDD_IO and LDO_VDD pins.
Current Consumption						
Current Consumption - TX	IDD_TXH		18		mA	POUT = high power setting
	IDD_TXL		12		mA	POUT = low power setting
Current Consumption - RX	IDD_RX		17		mA	
Current Consumption -IDLE	IDD_IDLE1		1.4		mA	Configured for BRCLK output running.
	IDD_IDLE2		1.1		mA	Configured for BRCLK output OFF.
Current Consumption - SLEEP	IDD_SLP		6		uA	
Digital Inputs						
Logic input high	VIH	0.8		1.2	V	
		VDD_IN		VDD_IN		
Logic input low	VIL	0		0.8	V	
Input Capacitance	C_IN			10	pF	
Input Leakage Current	I_LEAK_IN			10	uA	
Digital Outputs						
Logic output high	VOH	0.8		VDD_IN	V	
		VDD_IN				
Logic output low	VOL			0.4	V	
Output Capacitance	C_OUT			10	pF	
Output Leakage Current	I_LEAK_OUT			10	uA	
Rise/Fall Time (SPI)	T_RISE_OUT			5	nS	
Clock Signals						
CLK rise, fall time (SPI)	Tr_spi			25	nS	Requirement for error-free register reading, writing.
CLK frequency range (SPI)	FSPI	0	12		MHz	
Overall Transceiver						
Operating Frequency Range	F_OP	2400		2482	MHz	
Antenna port mismatch (Z0=50Ω)	VSWR_I		<2:1		VSWR	Receive mode.
	VSWR_O		<2:1		VSWR	Transmit mode.



Parameter	Symbol	MIN	TYP	MAX	Unis	Test Condition and Notes
Receive Section						Measured using 50 Ohm balun. For BER ≤ 0.1%:
Receiver sensitivity			-87		dBm	1Mbps
			-90		dBm	250Kbps
			-93		dBm	125Kbps
			-96		dBm	62.5Kbps
Maximum useable signal		-20	1		dBm	
Data (Symbol) rate	Ts		1		us	
Min. Carrier/Interference ratio						For BER ≤ 0.1%
Co-Channel Interference	CI_cochanne l		+9		dB	-60 dBm desired signal.
	1MHz(Adjacent Ch. Interference)	CI_1	+6		dB	-60 dBm desired signal.
	2MHz(Adjacent Ch. Interference)	CI_2	-12		dB	-60 dBm desired signal.
	3MHz(Adjacent Ch. Interference)	CI_3	-24		dB	-67 dBm desired signal.
Out-of-Band Blocking	OBB_1	-10			dBm	30 MHz to 2000 MHz
	OBB_2	-27			dBm	2000 MHz to 2400 MHz
	OBB_3	-27			dBm	2500 MHz to 3000 MHz
	OBB_4	-10			dBm	3000 MHz to 12.75 GHz
						Meas. with ACX BF2520 ceramic filter 2 on ant. pin . Desired sig. -67 dBm, BER ≤ 0.1%.
Transmit Section						Measured using 50 Ohm balun3:
RF Output Power	PAV			6	dBm	POUT= maximum output power Reg09=0x4800
			2			POUT = nominal output power, Reg09=0x1840
		-17				POUT=minimum output power,Reg09=1FC0
Second harmonic			-50		dBm	Conducted to ANT pin.
Third harmonic			-50		dBm	Conducted to ANT pin.
Modulation Characteristics						
Peak FM Deviation	00001111 pattern	Δf1avg	280		kHz	
	01010101 pattern	Δf2max	225		kHz	
In-Band Spurious Emission						
2MHz offset	IBS_2			-40	dBm	
>3MHz offset	IBS_3			-60	dBm	
Out-of-Band Spurious Emission, Operation	OBS_O_1		< -60	-36	dBm	30 MHz ~ 1 GHz
	OBS_O_2		-45	-30	dBm	1 GHz ~ 12.75 GHz, excludes desired signal and harmonics.
	OBS_O_3		< -60	-47	dBm	1.8 GHz ~ 1.9 GHz
	OBS_O_4		< -65	-47	dBm	5.15 GHz ~ 5.3 GHz

Note:

1. The test is run at one midband frequency, typically 2460 MHz. With blocking frequency swept in 1 MHz steps, up to 24 exception frequencies are allowed. Of these, no more than 5 shall persist with blocking signal reduced to -50dBm. For blocking frequencies below desired receive frequency, in-band harmonics of the out-of-band blocking signal are the most frequent cause of failure, so be sure blocking signal has adequate harmonic filtering.
2. In some applications, this filter may be incorporated into the antenna, or be approximated by the effective antenna bandwidth.
3. Transmit power measurement is corrected for insertion loss of Balun, in order to indicate the transmit power at the IC pins.



Parameter	Symbol	MIN	TYP	MAX	Unit	Test Condition and Notes	
RF VCO and PLL Section							
Typical PLL lock range	FLOCK	2366		2516	MHz		
Tx, Rx Frequency Tolerance			--		ppm	Same as XTAL pins frequency tolerance	
Channel (Step) Size			1		MHz		
SSB Phase Noise			≤ -95		dBc/Hz	550kHz offset	
			≤ -115		dBc/Hz	2MHz offset	
Crystal oscillator freq. range (Reference Frequency)			12.00 0		MHz	Designed for 12 MHz crystal reference freq.	
Crystal oscillator digital trim range, typ.			±20		ppm	See Register 27 description. Amount of pull depends on crystal spec. and operating point.	
RF PLL Settling Time	THOP		75	150	uS	Settle to within 30 kHz of final value.	
Spurious Emissions	OBS_1		< -75	-57	dBm	30 MHz ~ 1 GHz	IDLE state, Synthesizer and VCO ON.
	OBS_2		-68	-47	dBm	1 GHz ~ 12.75 GHz	
LDO Voltage Regulator Section							
Dropout Voltage	Vdo		0.17	0.5	V	Measured during Receive state	



E.I. HK TECHNOLOGY LTD

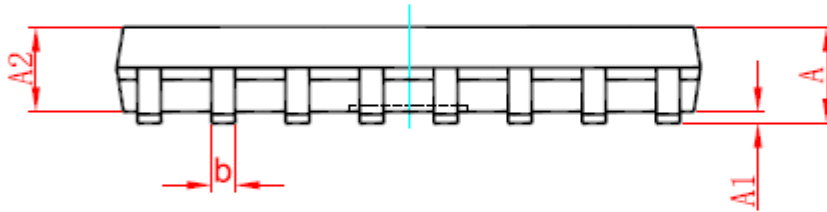
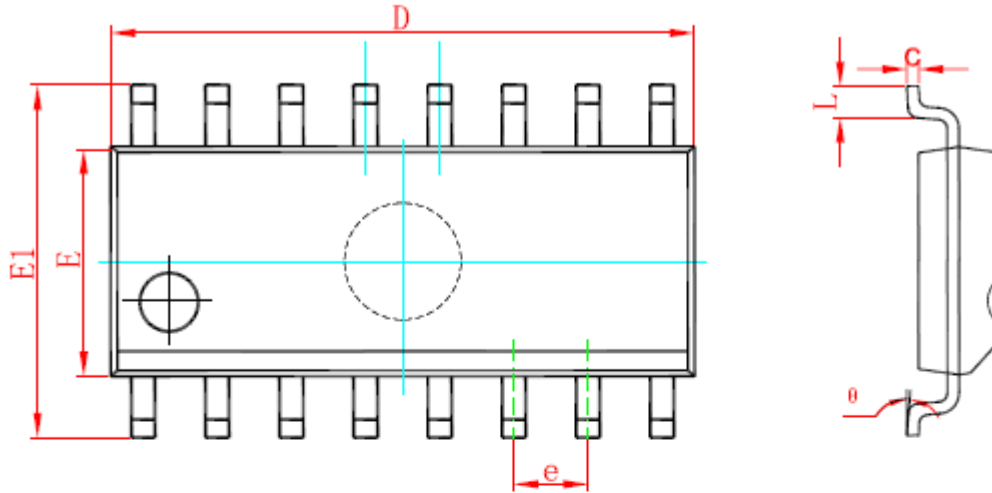
宏智香港科技有限公司

) . D]b'8 YgW]dh]cb

Pin No	Pin Name	Type	Description
1	ANT	Balanced RF	RF input/output
2	GND	GND	Ground reference connect
3	VDD_IO	Power	Power supply voltage
4	PB6	I/O	Input/output
5	VDD	Power	Power supply voltage
6	PA7	I/O	Input/output
7	PA6	I/O	Input/output
8	RST/PA5	I/O	Input/output
9	PA3	I/O	Input/output
10	PA4	I/O	Input/output
11	PA0	I/O	Input/output
12	GND	I/O	Ground reference connect
13	XTALO	A O	Output of the crystal oscillator gain block
14	XTALI	A I	Input of the crystal oscillator gain block
15	VCO_VDD	Power	RF Power supply voltage
16	ANTB	Balanced RF	RF input/output



SOP16 PACKAGE OUTLINE DIMENSIONS



Symbol	Dimensions In Millimeters		Dimensions In Inches	
	Min	Max	Min	Max
A	1.350	1.750	0.053	0.069
A1	0.100	0.250	0.004	0.010
A2	1.350	1.550	0.053	0.061
b	0.330	0.510	0.013	0.020
c	0.170	0.250	0.007	0.010
D	9.800	10.200	0.386	0.402
E	3.800	4.000	0.150	0.157
E1	5.800	6.200	0.228	0.244
e	1.270 (BSC)		0.050 (BSC)	
L	0.400	1.270	0.016	0.050
θ	0°	8°	0°	8°



7. IR Reflow Standard

Follow : IPC/JEDEC J-STD-020 B

- Condition : Average ramp-up rate (183°C to peak): 3 °C/sec. max.
- Preheat: 100~150°C 60~120sec
- Temperature maintained above 183°C: 60~150 seconds
- Time within 5°C of actual peak temperature: 10 ~ 30 sec.
- Peak temperature: 240+0/-5 °C
- Ramp-down rate: 6 °C/sec. max.
- Time 25°C to peak temperature: 6 minutes max.
- Cycle interval: 5 minutes

Figure 18. IR Reflow Diagram

