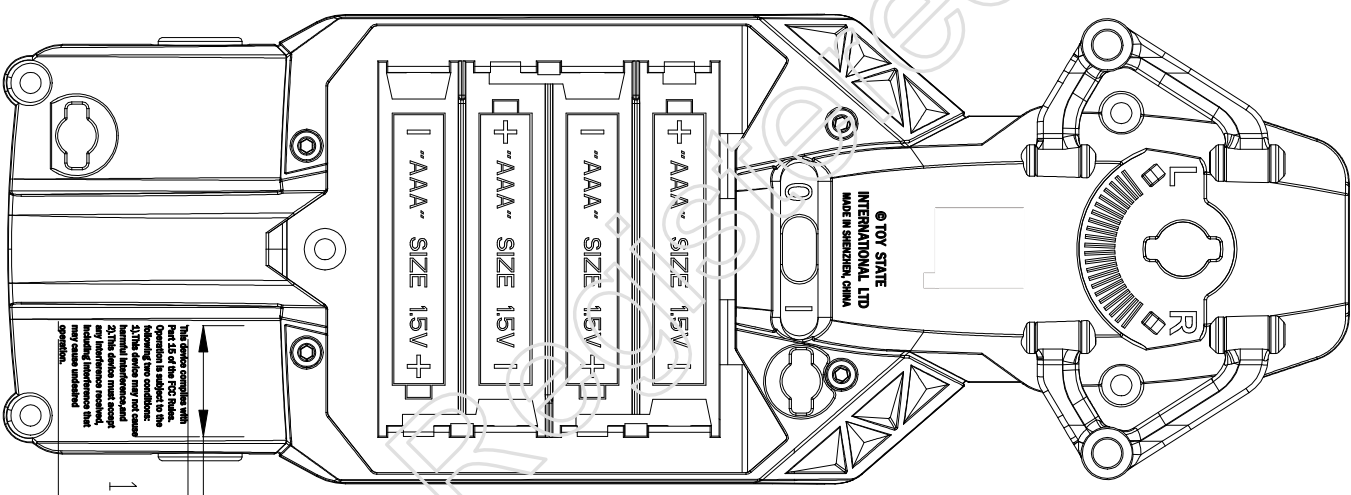


**ITEM : 94164**  
**FCC ID : V9Q-94164R24**

LABEL SIZE: 24.5mm x 6mm



This device complies with Part 15 of the FCC Rules, Subpart J, covering the conditions of the following: 1) This device may not cause harmful interference, and 2) This device must accept any interference received, including interference that may cause undesired operation.

14.7366±0.0100

17.1410±0.0100