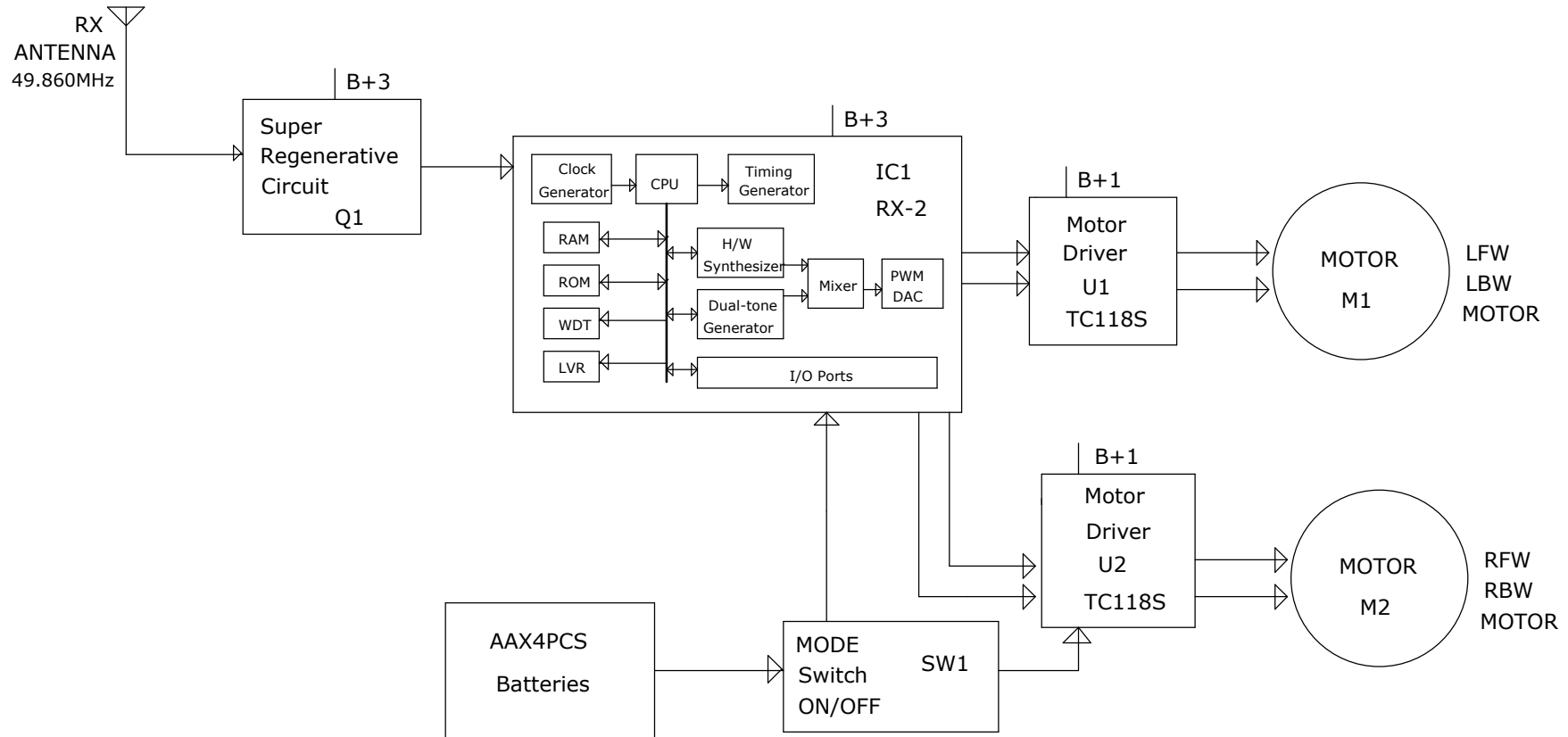


BLOCK DIAGRAM OF VERSION:- RX 49.860MHz

MODEL NO:- 94140



APPLICANT:-TOY STATE INDUSTRIAL LTD

MODEL NO:-94140

PAGE NO:- 1 OF 1

DRAWN BY: Chen	DATED: 2015-4-24	COMPANY: TOY STATE INDUSTRIAL LTD		
CHECK BY: Xiao	DATED: 2015-4-24	MODEL: 94140 RX 49M BLOCK DIAGRAM		
APP.BY: Xiao	DATED: 2015-4-24	REV: 1.0	DRAWING NO:	SHEET: 1 OF 1