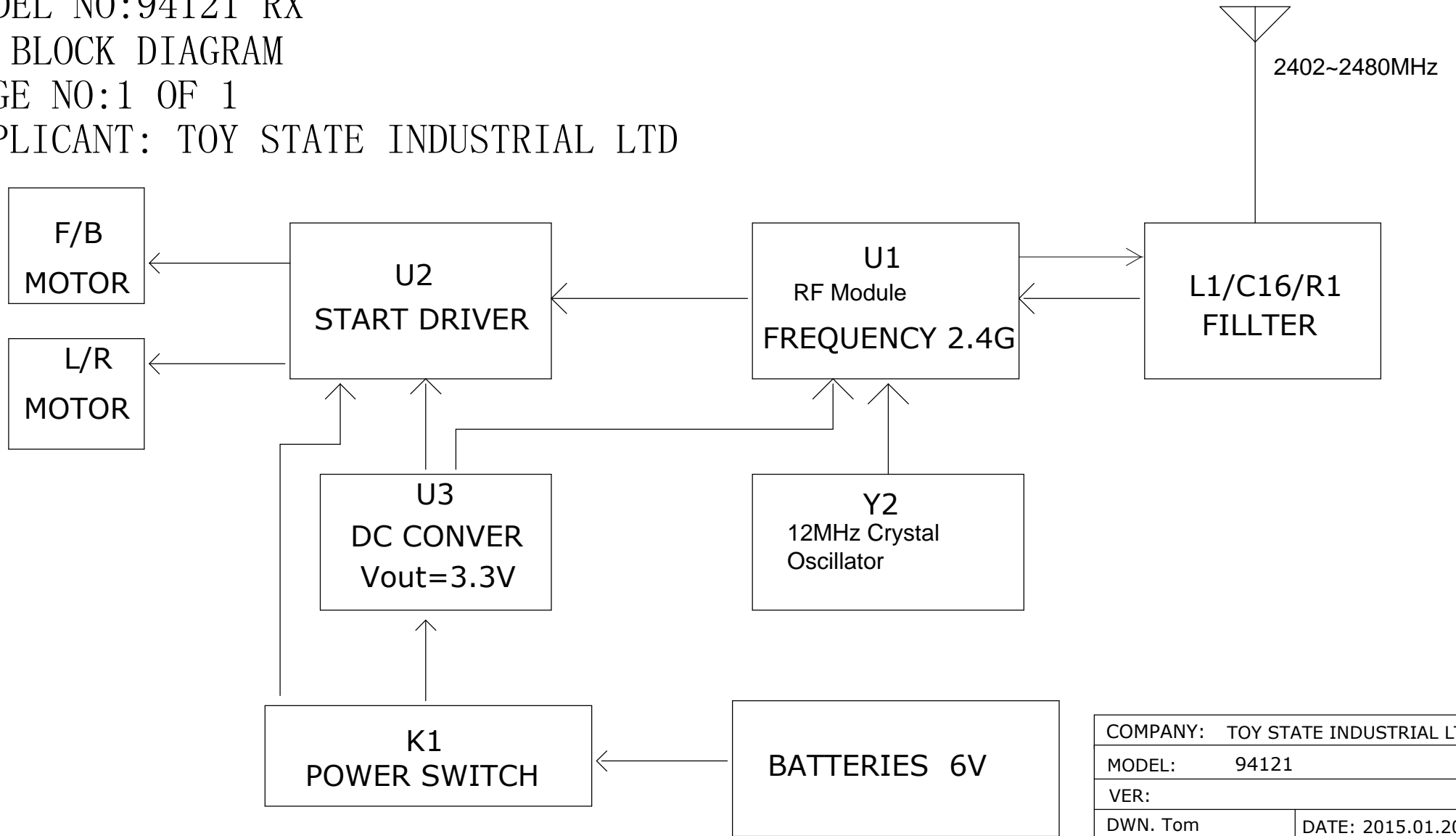


MODEL NO:94121 RX

RX BLOCK DIAGRAM

PAGE NO:1 OF 1

APPLICANT: TOY STATE INDUSTRIAL LTD



COMPANY: TOY STATE INDUSTRIAL LTD	
MODEL: 94121	
VER:	
DWN. Tom	DATE: 2015.01.20
CHK. Wang	DATE: 2015.01.20
APP. Xiao	DATE: 2015.01.20