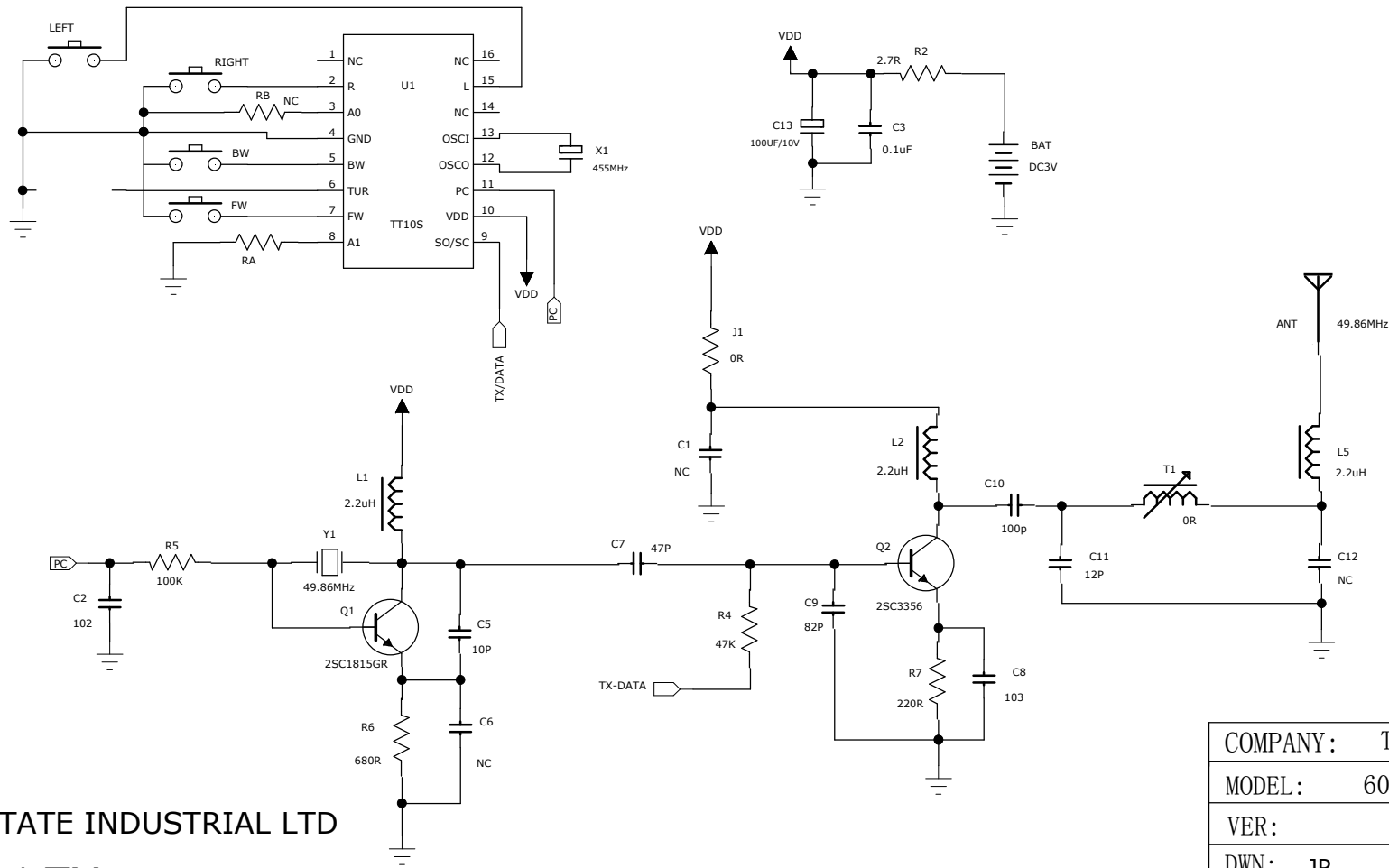


# TX SCHEMATIC FOR MODEL NO. 60321 - 49MHz



COMPANY: TOY STATE INDUSTRIAL LTD	
MODEL: 60320 TX 49.86MHZ	
VER:	
DWN: JP	DATE: 2012/04/25
CHK:	DATE:
APP:	DATE:

APPLICANT:-TOY STATE INDUSTRIAL LTD  
 MODEL NO:-60321 TX  
 PAGE NO:- 1 OF 1