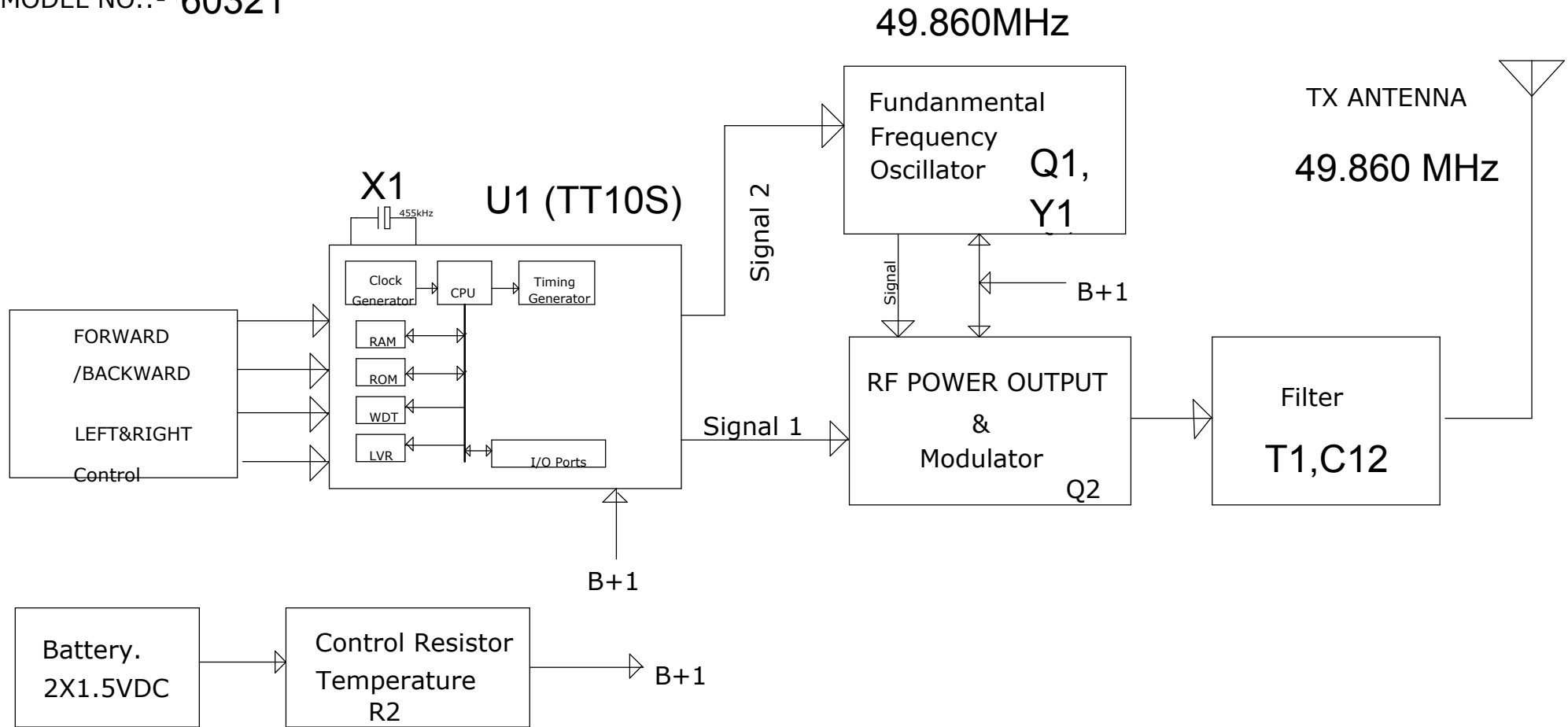


BLOCK DIAGRAM OF VERSION:- TX **49.860MHz**

MODEL NO.:- **60321**



APPLICANT:-TOY STATE INDUSTRIAL LTD

MODEL NO.:- **60321**

PAGE NO.:- 1 OF 1

DRAWN BY: JIANG	DATED: 2012/4/25	COMPANY: TOY STATE INDUSTRIAL LTD		
CHECK BY: XIONG	DATED: 2012/4/25	MODEL: 60320 TX BLOCK DIAGRAM		
APP.BY: XIONG	DATED: 2012/4/25	REV: 1.0	DRAWING NO:	SHEET: 1 OF 1