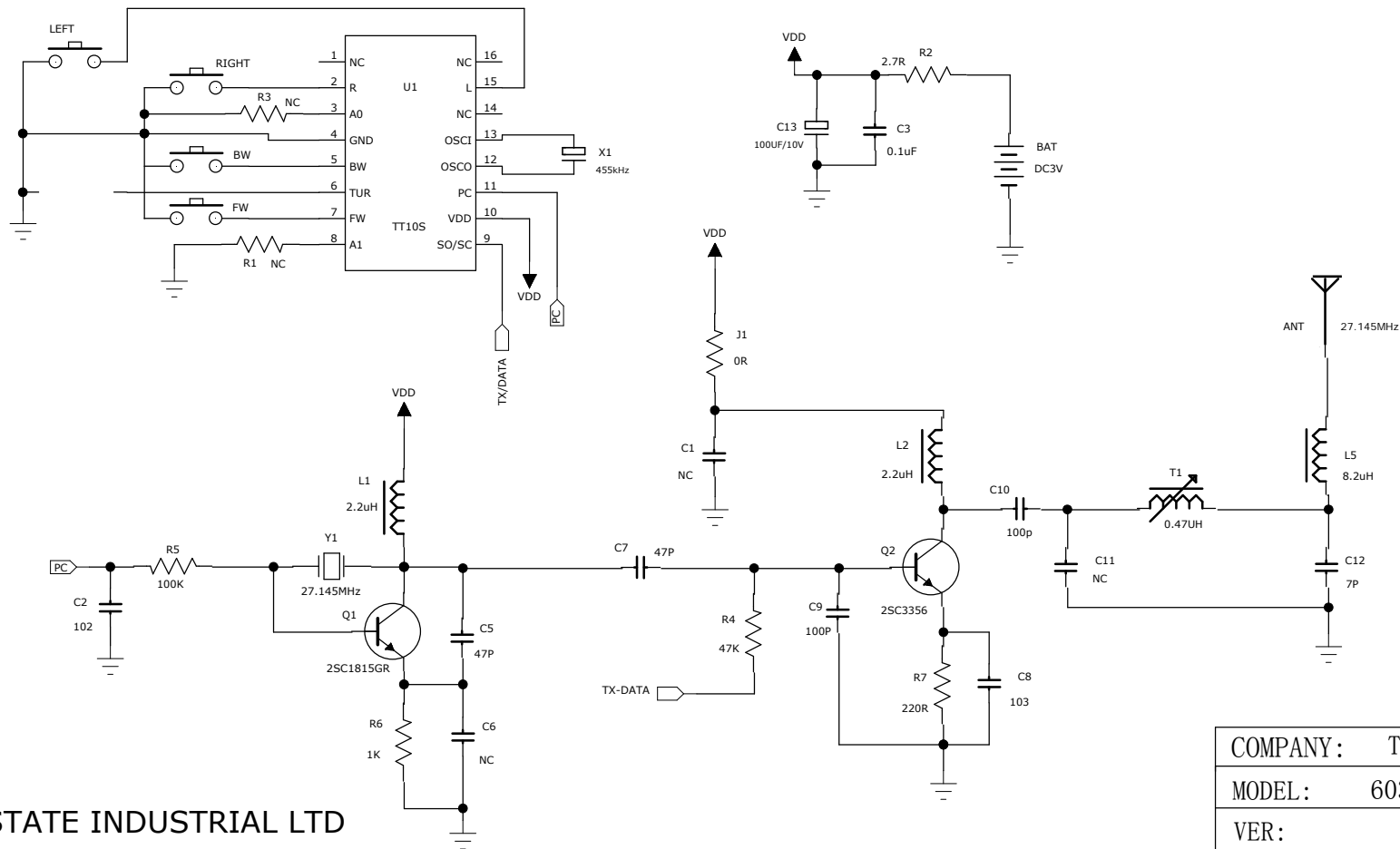


TX SCHEMATIC FOR MODEL NO. 60323 – 27MHz



COMPANY: TOY STATE INDUSTRIAL LTD	
MODEL: 60320 TX 27.145MHZ	
VER:	
DWN: jp	DATE: 2012/04/25
CHK:	DATE:
APP:	DATE:

APPLICANT:-TOY STATE INDUSTRIAL LTD
 MODEL NO:-**60323**
 PAGE NO:- 1 OF 1