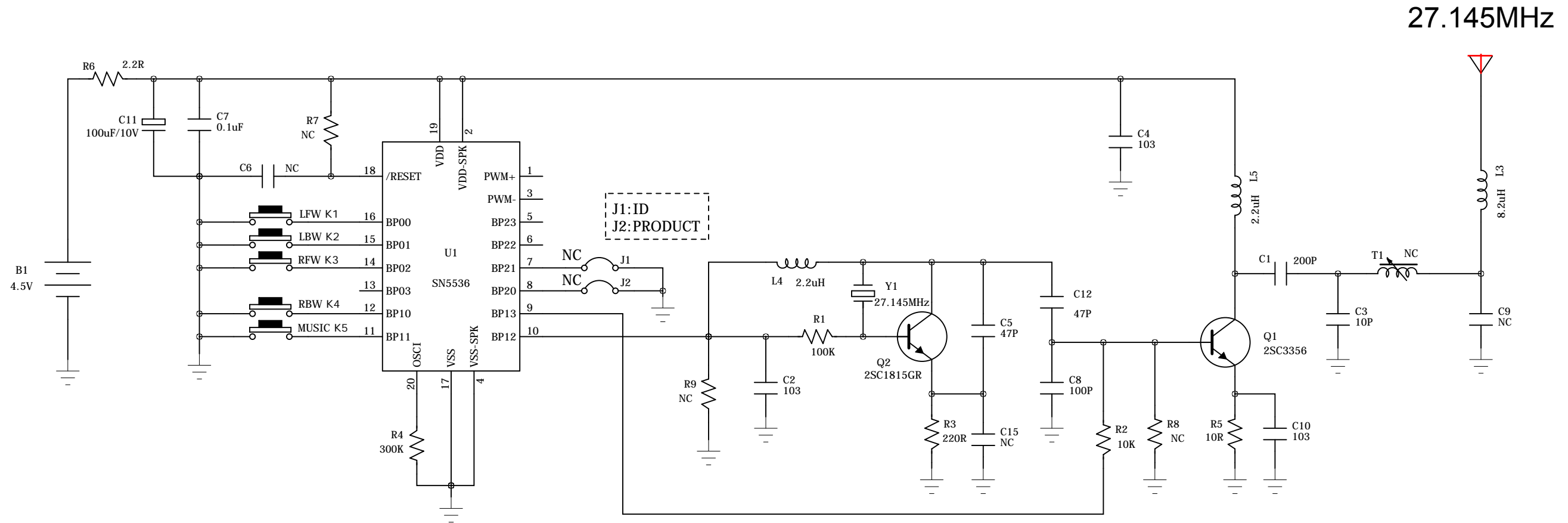


TX SCHEMATIC FOR MODEL NO 37102- 27.145MHz



APPLICANT:-TOY STATE INDUSTRIAL LTD

MODEL NO:-37102

PAGE NO:- 1 OF 1

DRAWN BY: Angelo	DATED: 25-Apr-2012	COMPANY: TOY STATE INDUSTRIAL LTD		
CHECK BY: XIONG	DATED: 26-Apr-2012	MODEL: 37102 TX 27.145MHZ		
APP.BY: XIONG	DATED: 26-Apr-2012	REV: 1.0	DRAWING NO:	SHEET: 1 OF 1