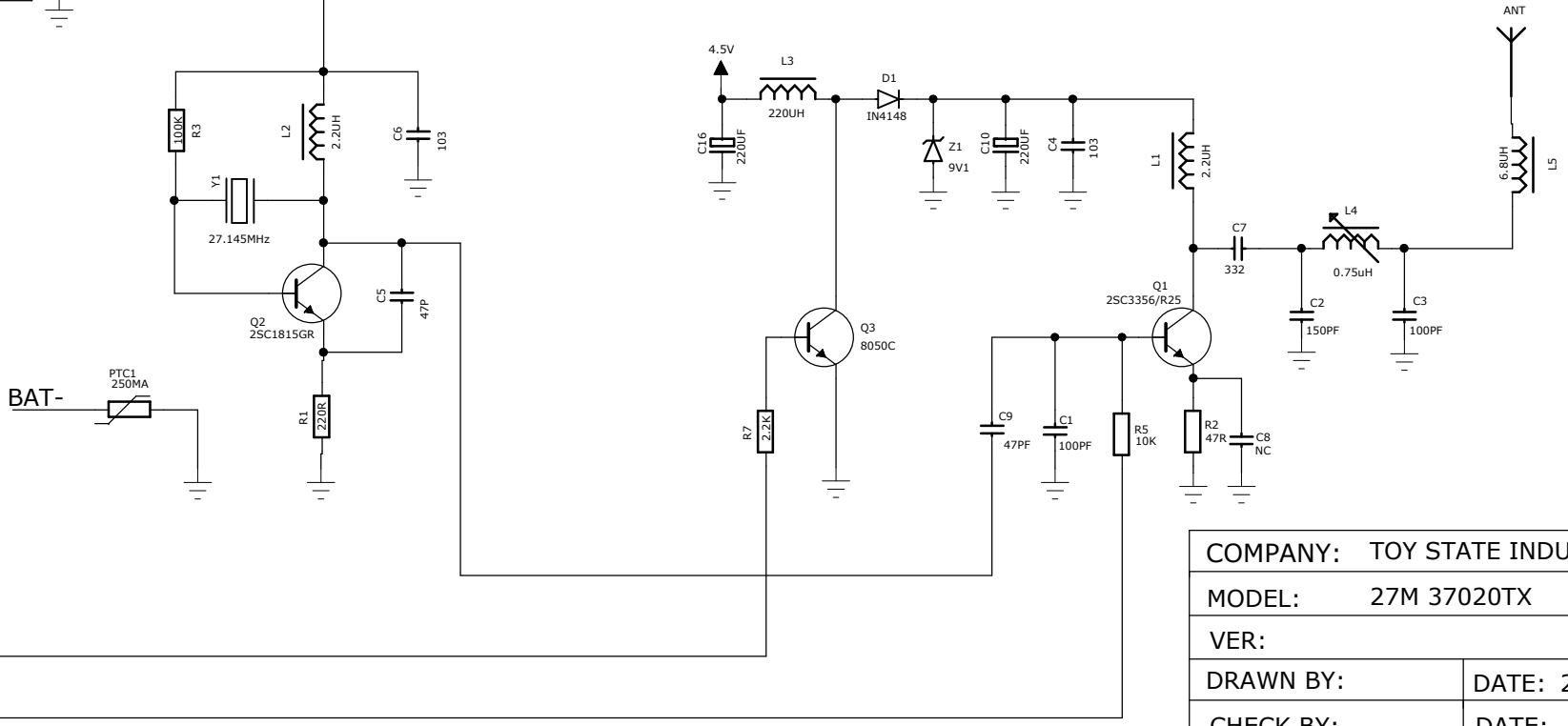


ID2(B CODE)  
ID1(A CODE)



COMPANY: TOY STATE INDUSTRIAL LTD	
MODEL: 27M 37020TX	
VER:	
DRAWN BY:	DATE: 2011/05/06
CHECK BY:	DATE:
APP. BY:	DATE: