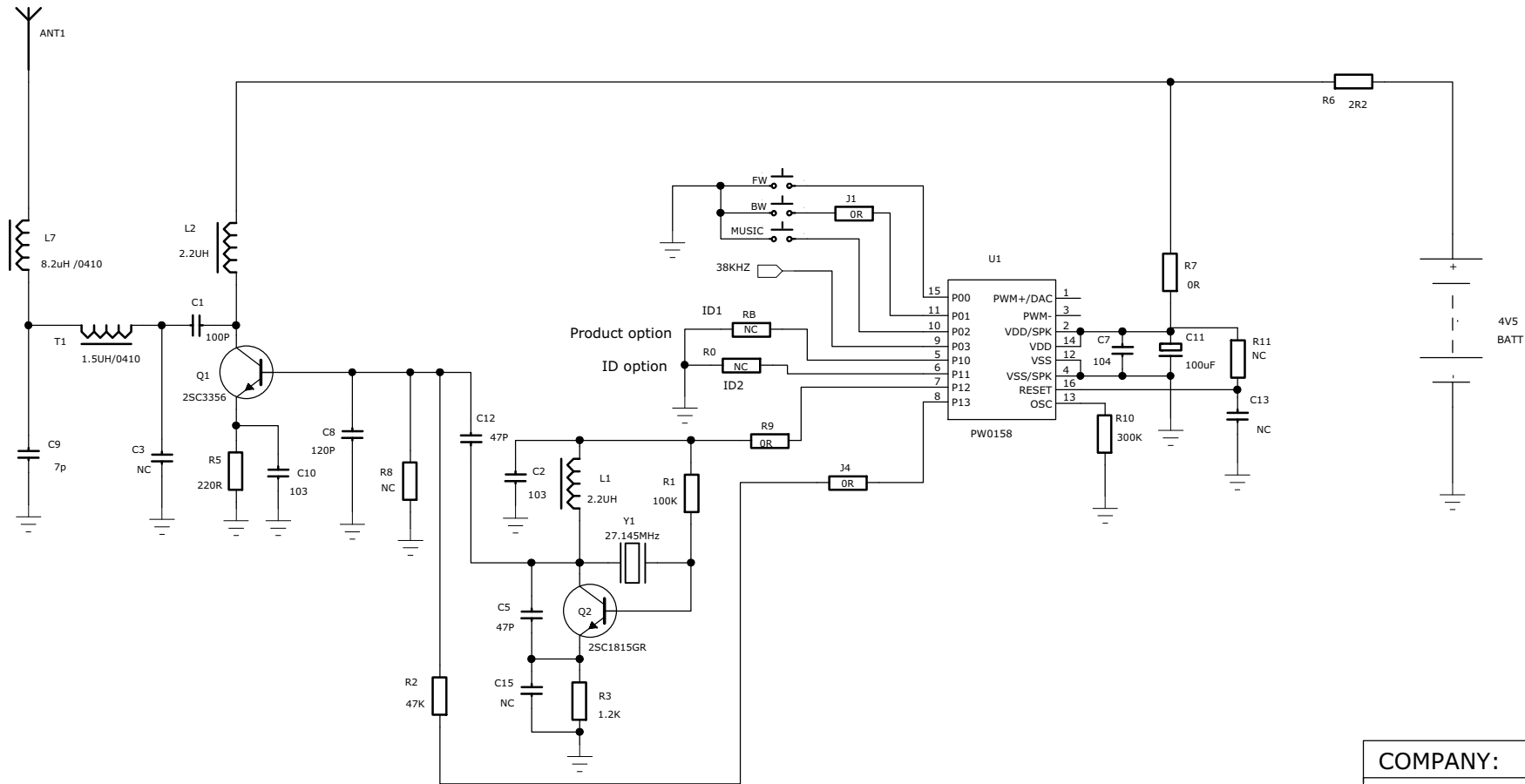


# TX SCHEMATIC FOR MODEL NO. 35731 – 27.145MHz



APPLICANT:-TOY STATE INDUSTRIAL LTD

MODEL NO.:35731

PAGE NO:- 1 OF 1

COMPANY: TOY STATE INDUSTRIAL LTD	
MODEL: #35730 TX(27.145MHz)	
VER:	
DRAWN BY: jp	DATE: 2012-04-20
CHECK BY:	DATE:
APP. BY:	DATE: