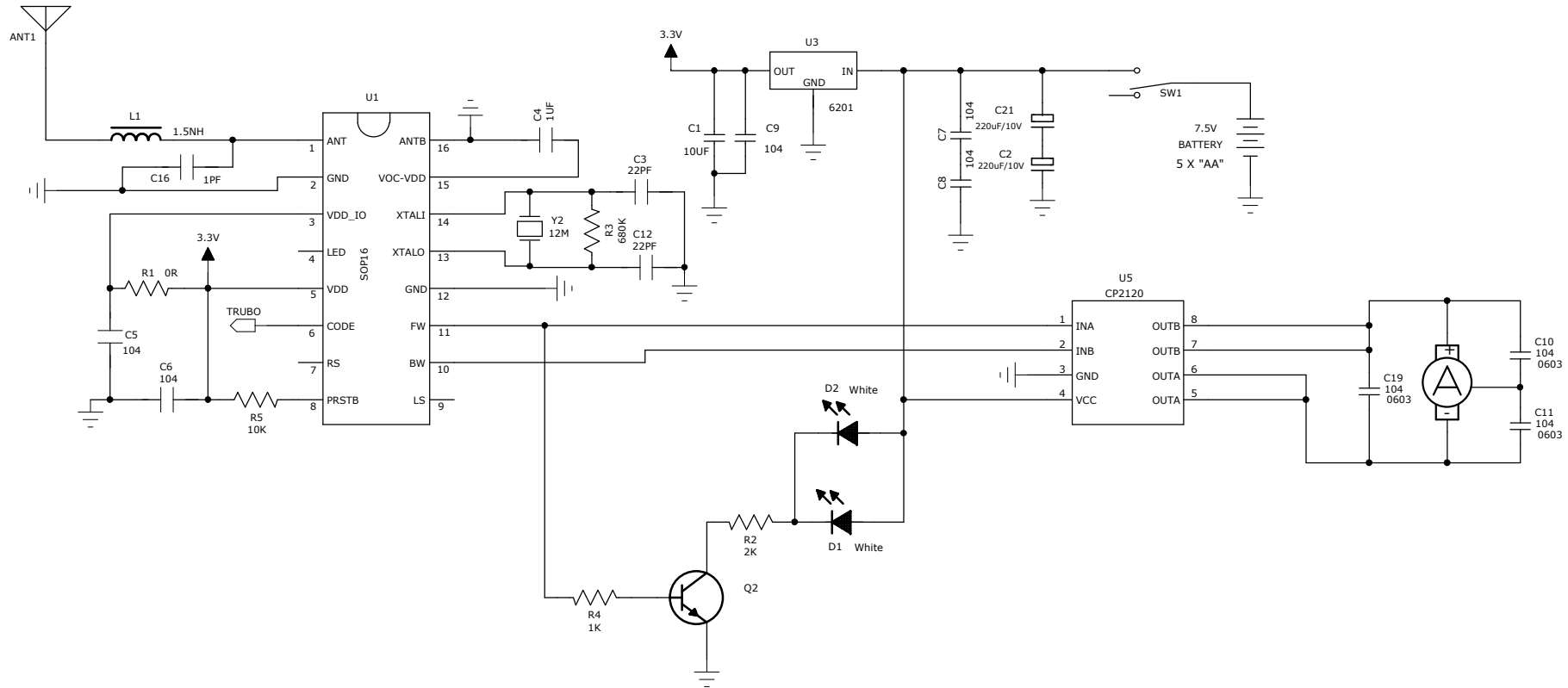


MODEL NO:72000 RX

RX Schematic

PAGE NO:1 OF 1

APPLICANT: TOY STATE INDUSTRIAL LTD



COMPANY: TOY STATE INDUSTRIAL LTD	
MODEL: 72000	
VER:	
DWN. Tom	DATE: 2016.04.20
CHK. wang	DATE: 2016.04.20
APP. xiao	DATE: 2016.04.20