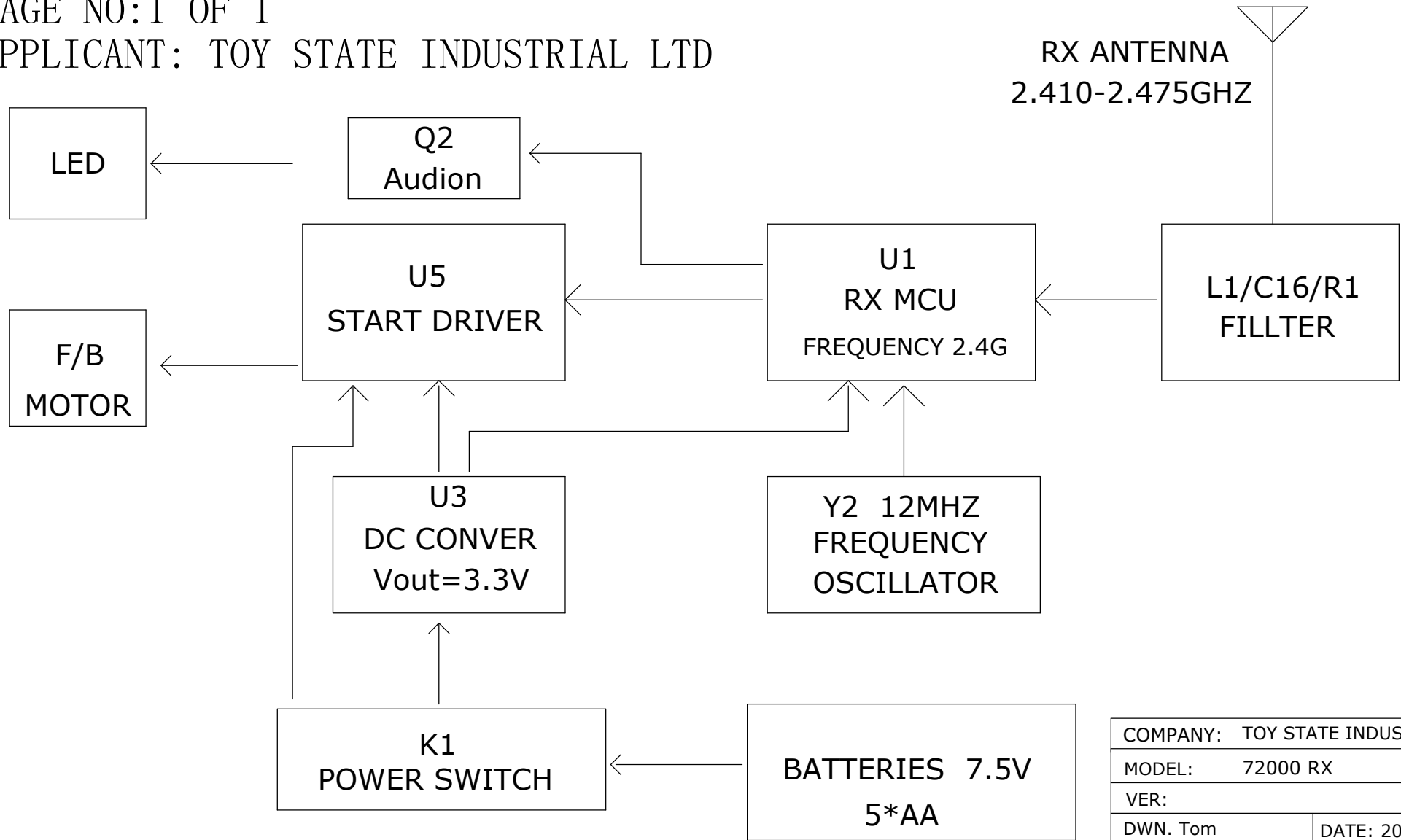


MODEL NO:72000 RX

RX BLOCK DIAGRAM

PAGE NO:1 OF 1

APPLICANT: TOY STATE INDUSTRIAL LTD



COMPANY: TOY STATE INDUSTRIAL LTD	
MODEL: 72000 RX	
VER:	
DWN. Tom	DATE: 2016.04.20
CHK. Wang	DATE: 2016.04.20
APP. Xiao	DATE: 2016.04.20

