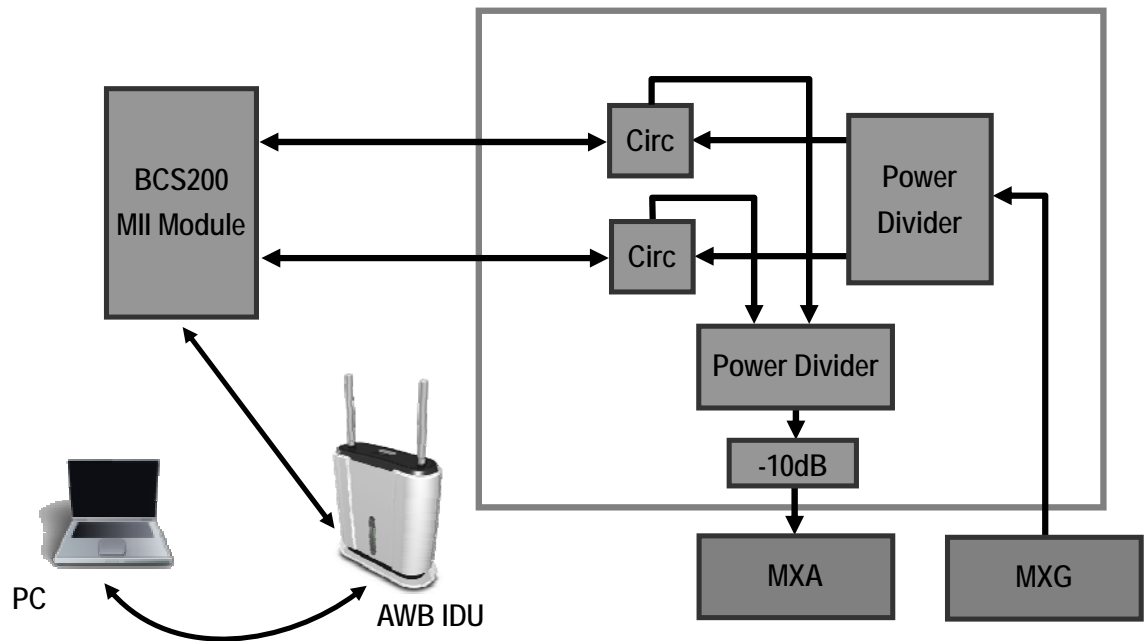


## How to setup the test environment

### 1. Test condition



### 2. Equipment List

- Agilent MXA/N9020A Spectrum Analyzer
- Agilent MXG/N5182A Vector Signal Generator

### 3. Test Procedure

- Load the waveform provided by Beceem to Agilent MXG.(N5182A). Then use MXG to generate the waveform.
- Set the frequency and amplitude
- “Sync ” with DUT
- Use the utility (Beceem Control Panel) to run the test, like RX mode, TX mode with different modulation.