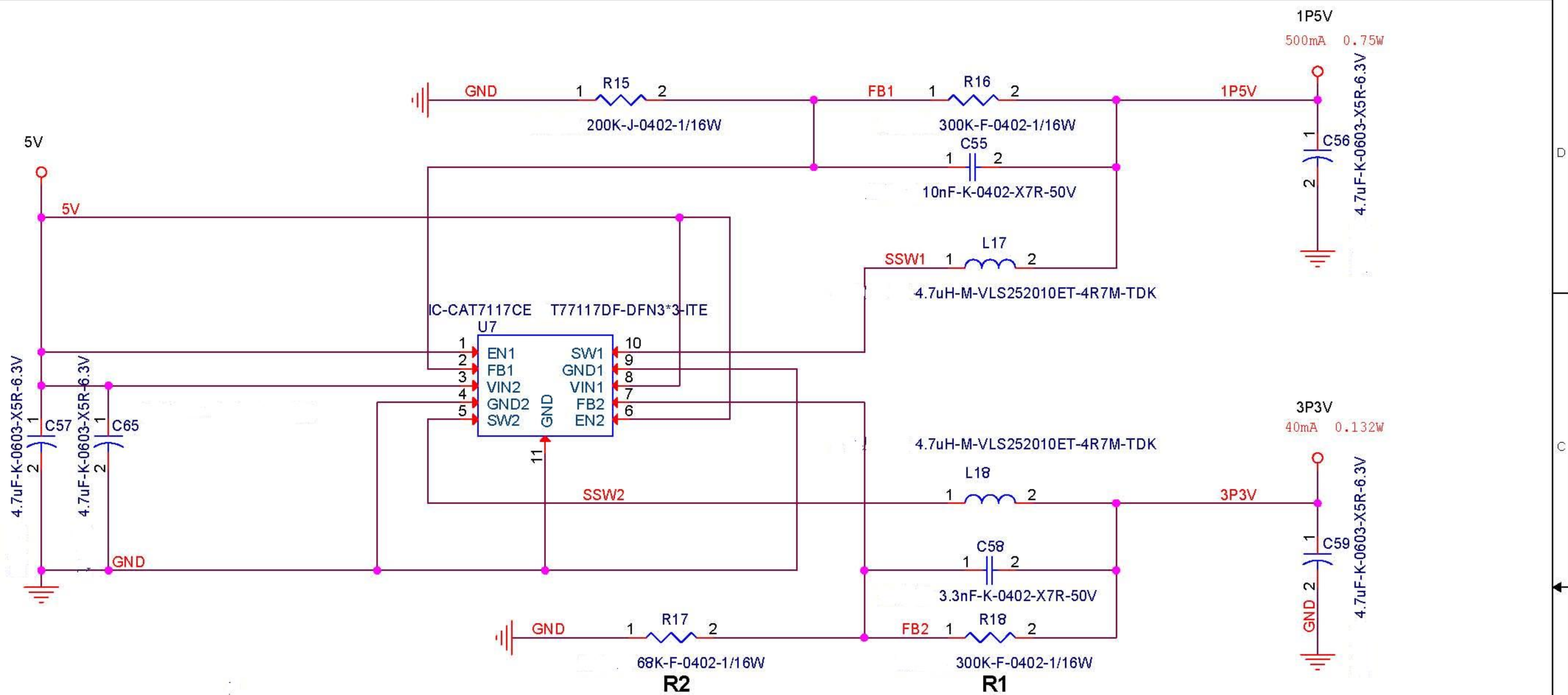


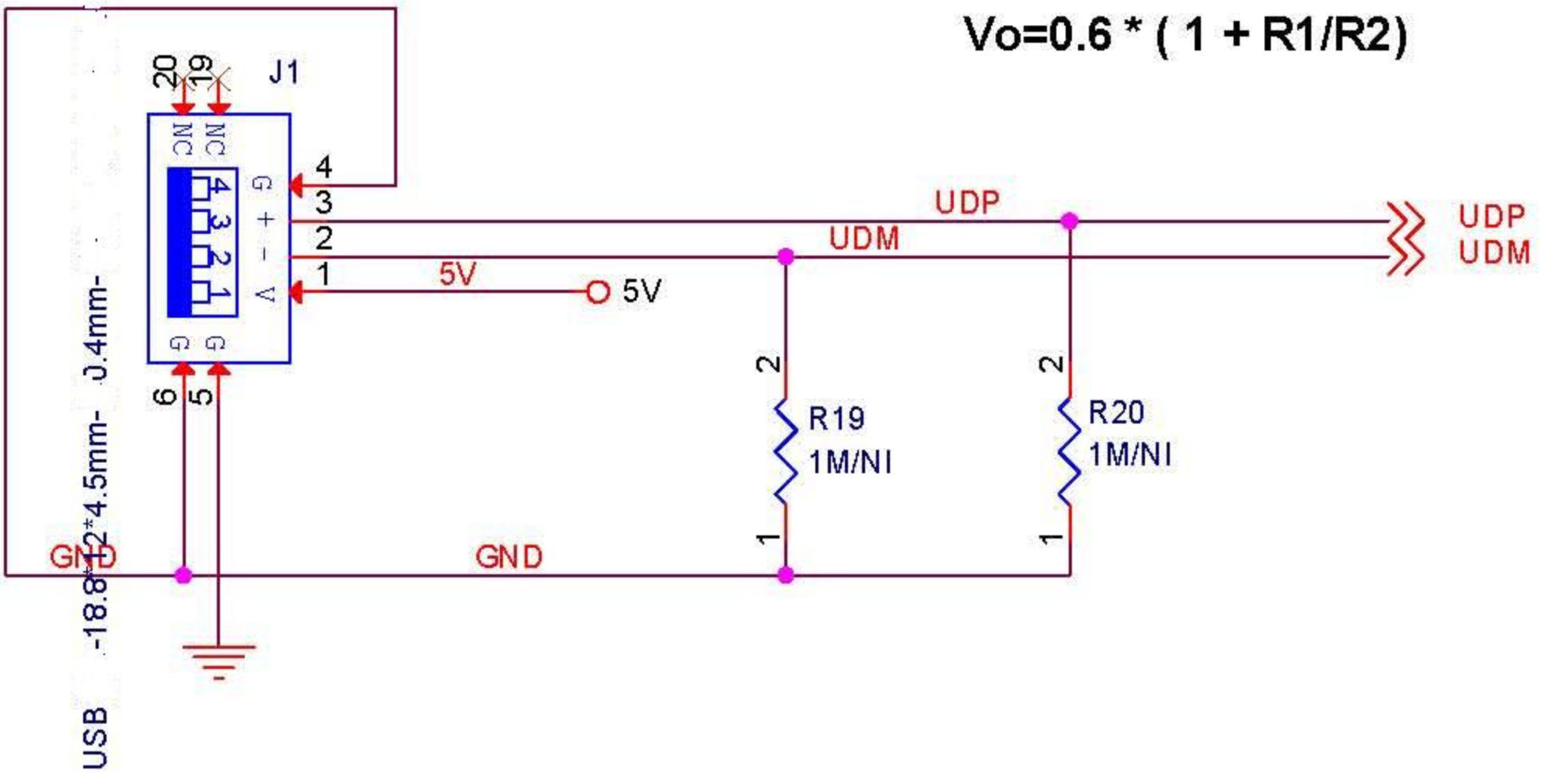
Product Name: W322U
Common Product: N/A

Network Interface Card

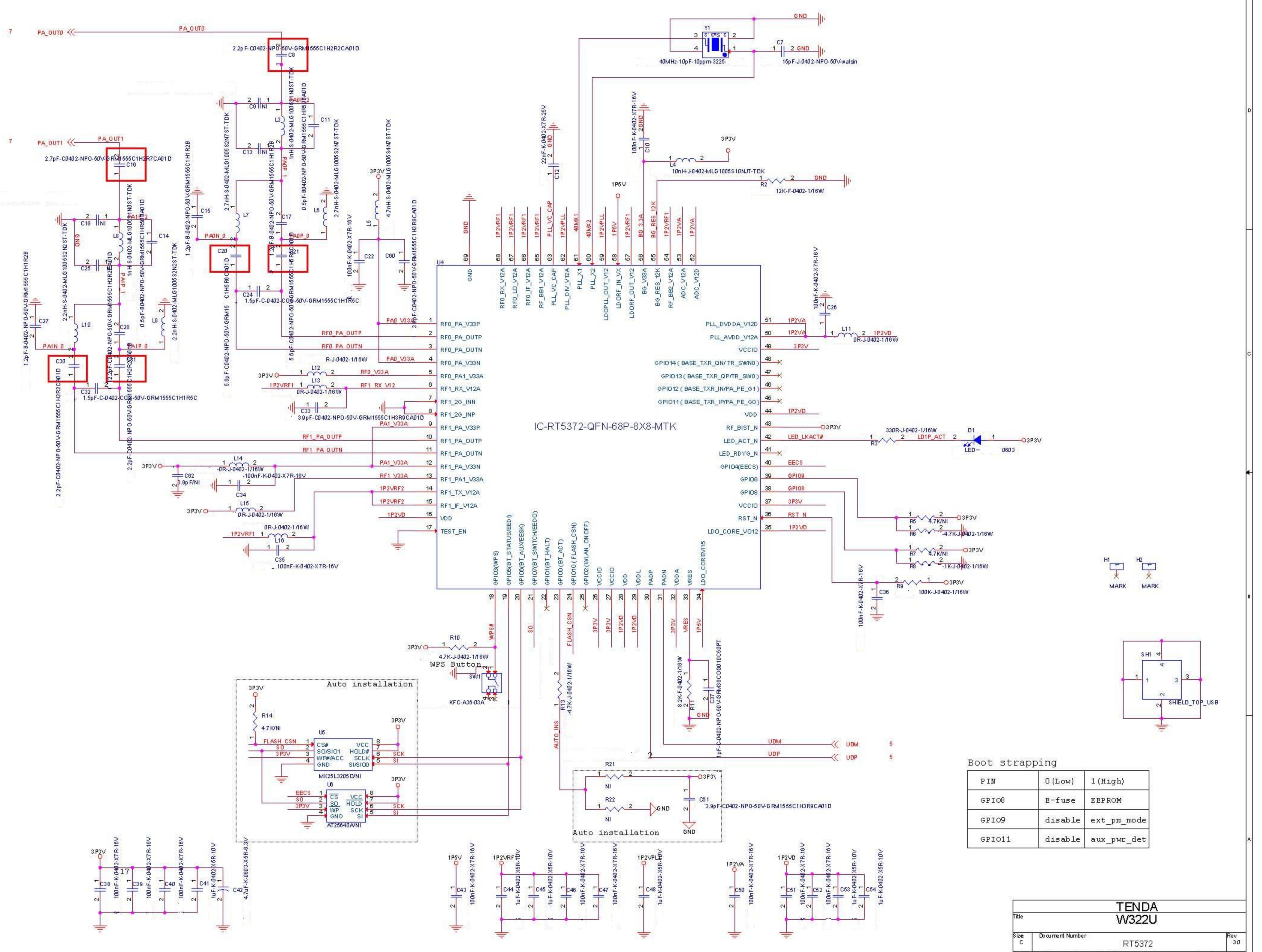
TENDA			
Title			
W322U			
Size	Document Number	Cover Page	Rev
B			3.0
Date	Thursday, February 23, 2012	Sheet	1 of 7



$$V_o = 0.6 * (1 + R1/R2)$$



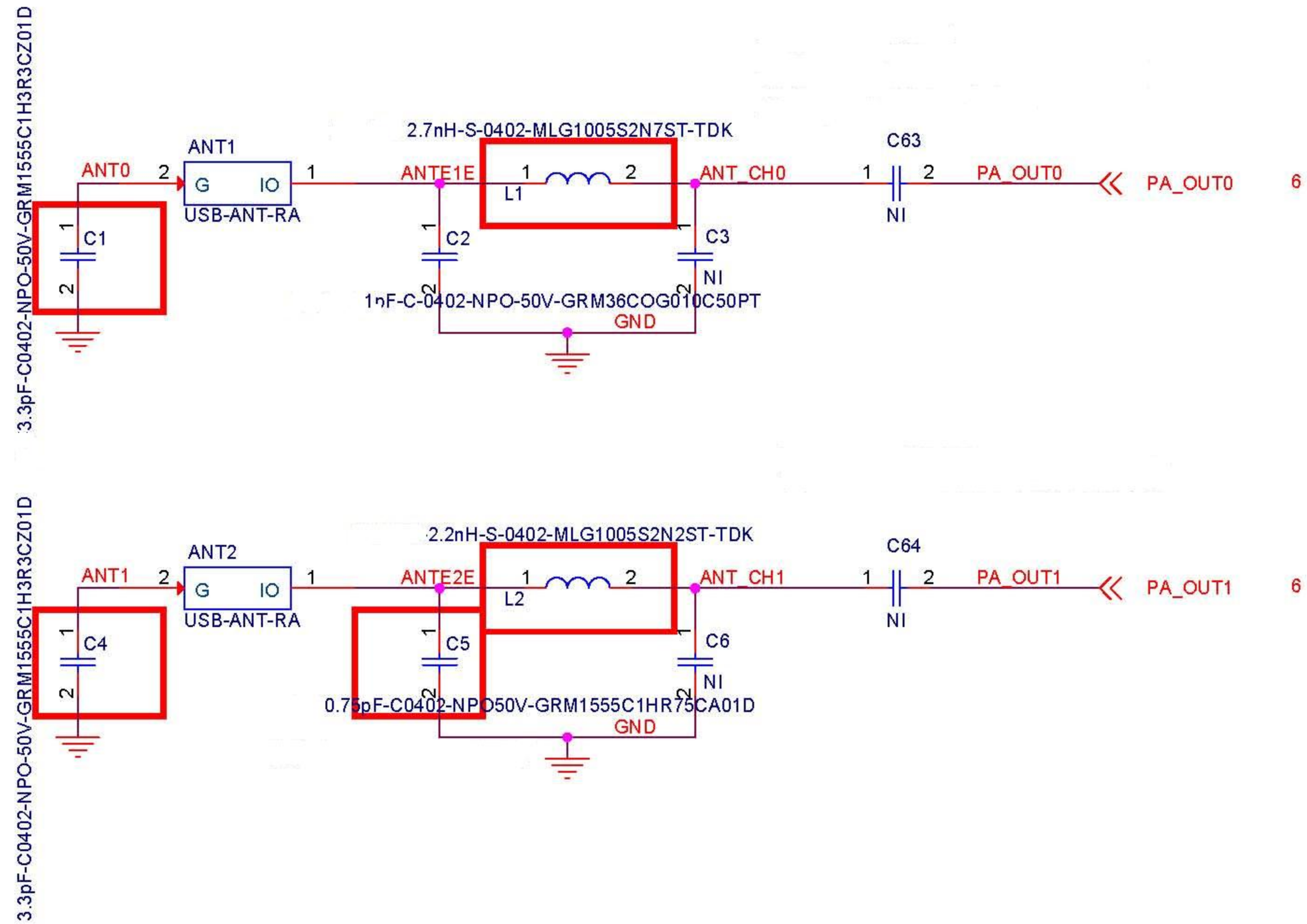
TENDA		
W322U		
Size A	Document Number USB & Power supply	Rev 3.0
Date:	Thursday, February 23, 2012	Sheet 5 of 7



IC-RT5372-QFN-68P-8X8-MTK

Boot strapping

PIN	0 (Low)	1 (High)
GPIO8	E-fuse	EEPROM
GPIO9	disable	ext_pm_mode
GPIO11	disable	aux_pwr_det



TENDA		
Title		
W322U		
Size	Document Number	Rev
A	Front End	3.0
Date:	Thursday, February 23, 2012	Sheet 7 of 7