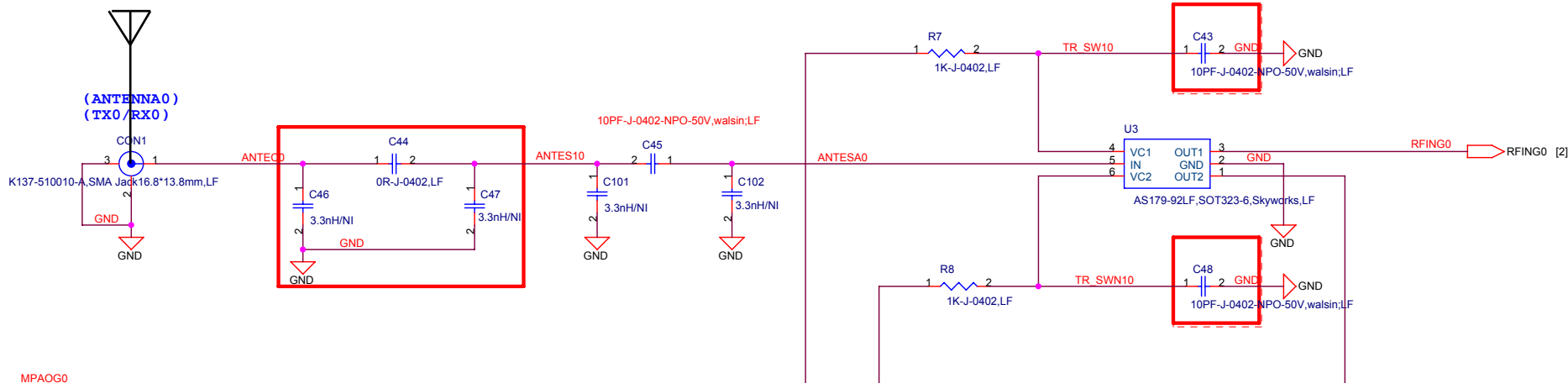
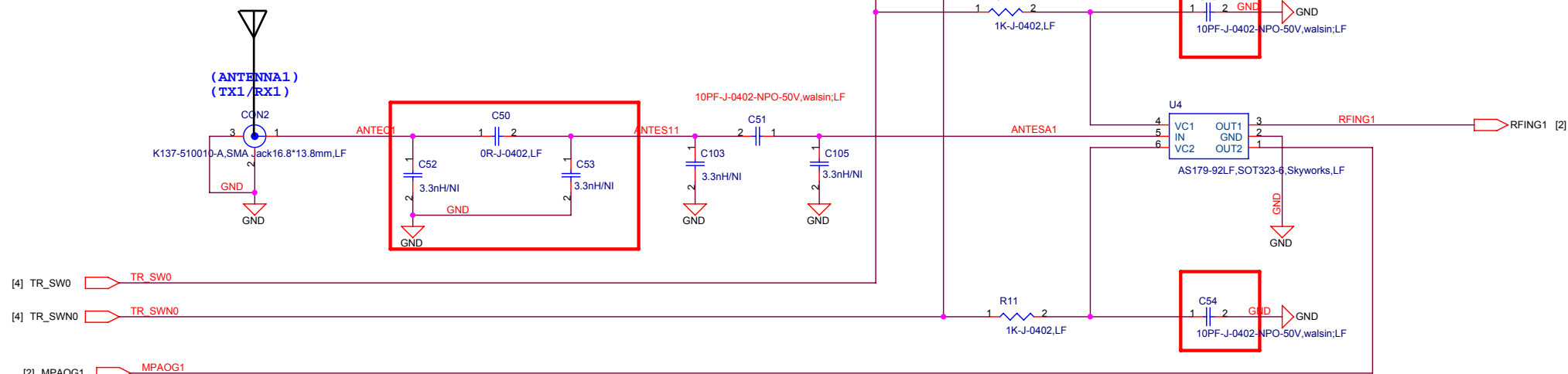


TENDA		
File	W322P	
Size	Document Number	Rev
C	2-PA.SCH	2.0
Date	Monday, July 13, 2009	Sheet 2 of 5

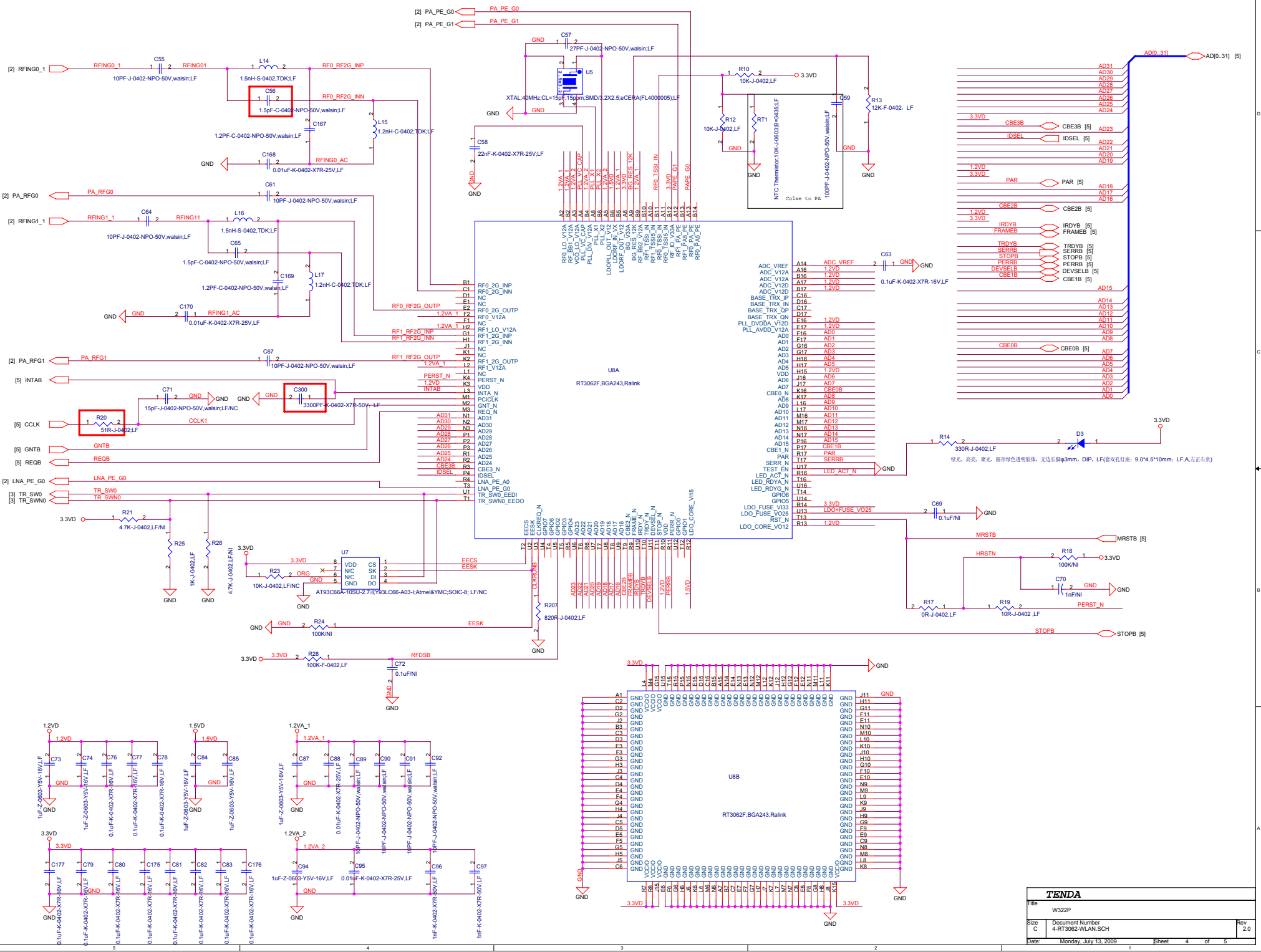
Ant. Chain0 2412~2462MHz

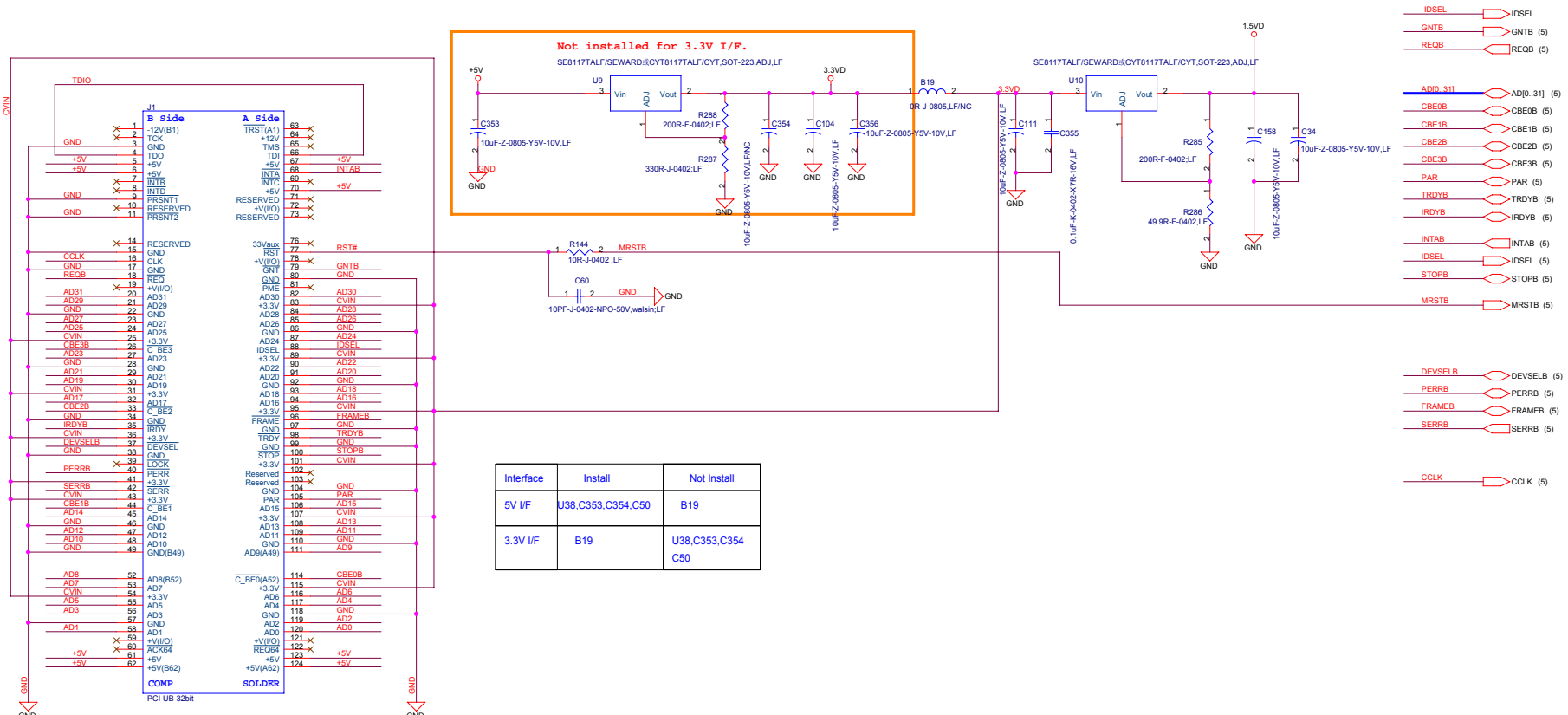


Ant. Chain1 2412~2462MHz



TENDA		
Title		
W322P		
Size	Document Number	Rev
B	3-FrontEnd.SCH	2.0
Date:	Monday, July 13, 2009	Sheet 3 of 5





- IDESEL → IDESEL
- GNTB → GNTB (5)
- REQB → REQB (5)
- AD10_311 → AD10_311 (5)
- CBE0B → CBE0B (5)
- CBE1B → CBE1B (5)
- CBE2B → CBE2B (5)
- CBE3B → CBE3B (5)
- PAR → PAR (5)
- TRDYB → TRDYB (5)
- IRDYB → IRDYB (5)
- INTAB → INTAB (5)
- IDSEL → IDSEL (5)
- STOPB → STOPB (5)
- MRSTB → MRSTB (5)
- DEVSELB → DEVSELB (5)
- PERRB → PERRB (5)
- FRAMEB → FRAMEB (5)
- SERRB → SERRB (5)
- CCLK → CCLK (5)

Interface	Install	Not Install
5V I/F	J38,C353,C354,C50	B19
3.3V I/F	B19	U38,C353,C354 C50